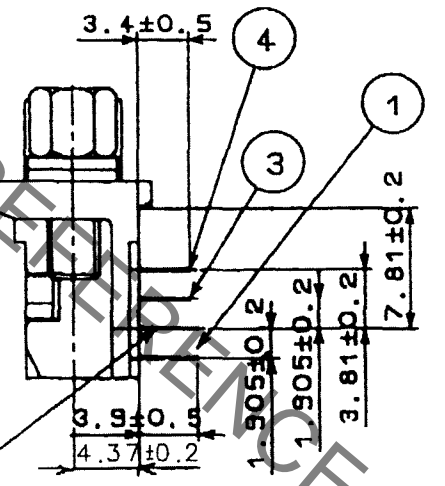
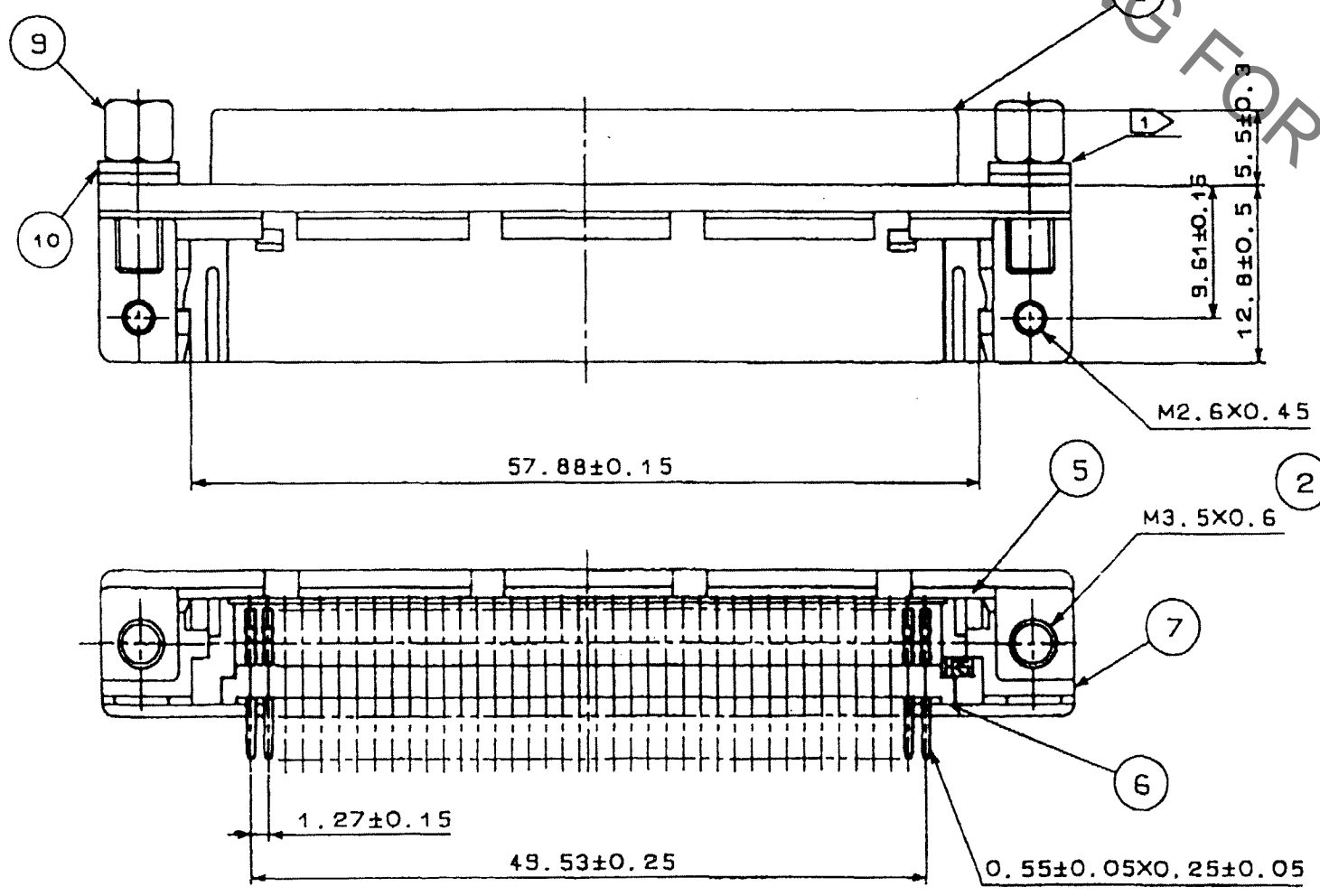
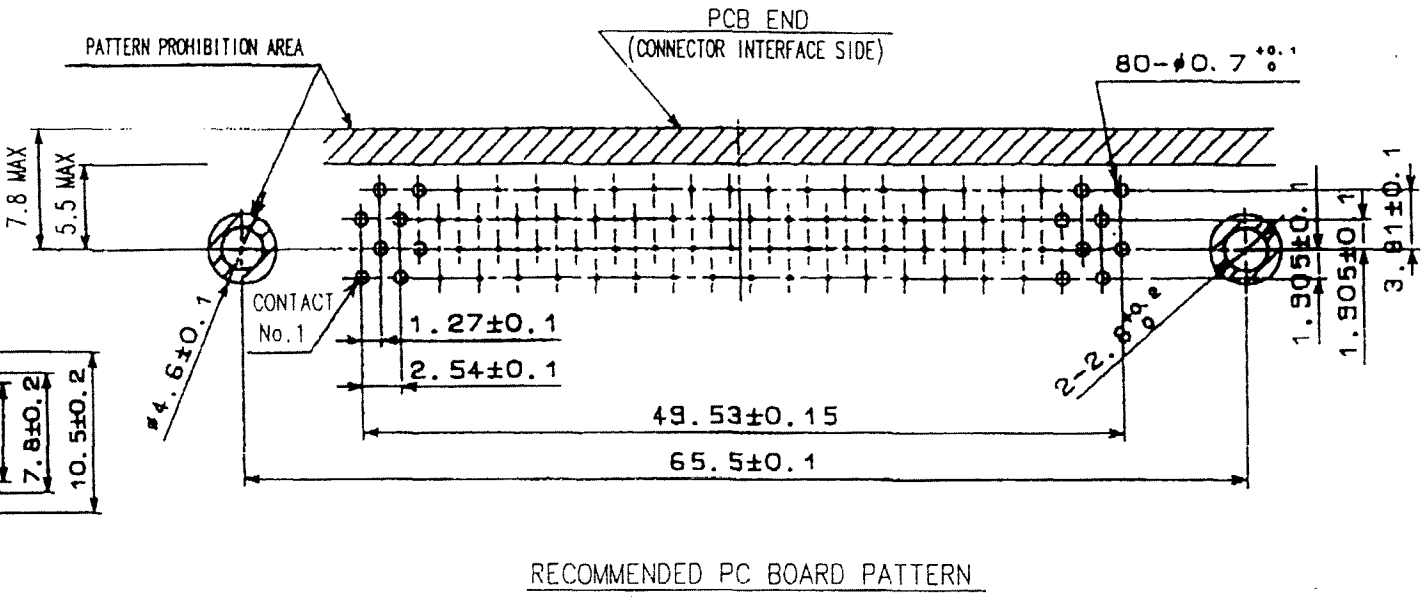
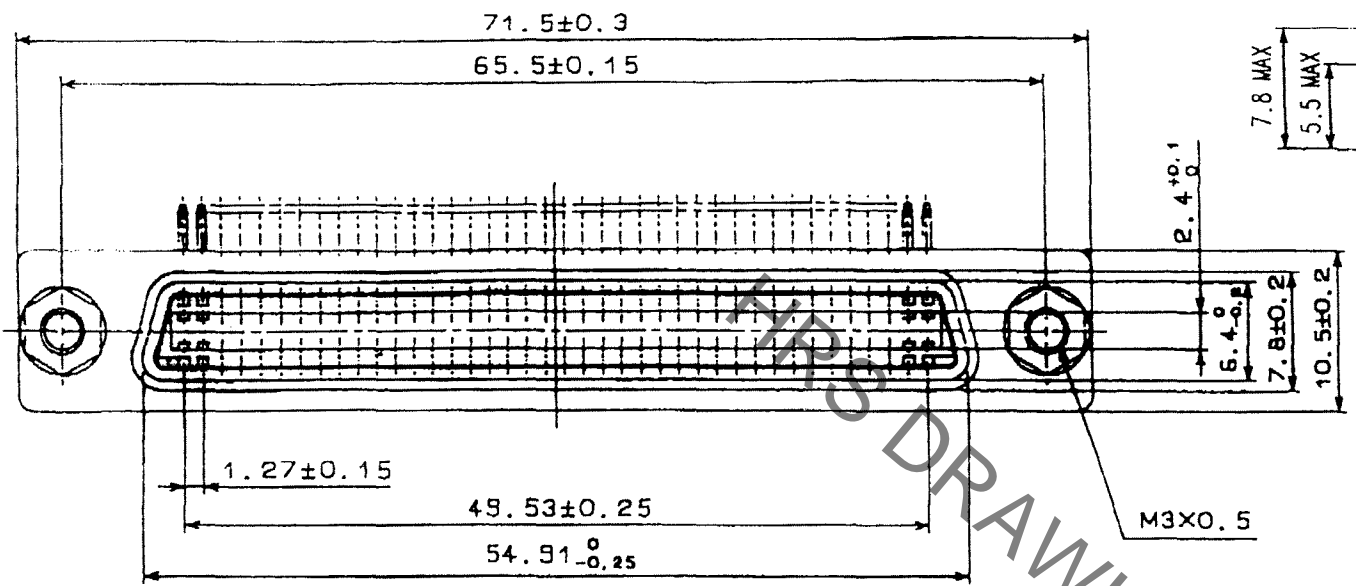


Aug.1.2021 Copyright 2021 HIROSE ELECTRIC CO., LTD. All Rights Reserved.
 In case of consideration for using Automotive equipment / device which demand high reliability, kindly contact our sales window correspondents.

COUNT	DESCRIPTION OF REVISIONS	BY	CHKD	DATE	COUNT	DESCRIPTION OF REVISIONS	BY	CHKD	DATE
5	DIS-E-001025	Y.S	Y.E	06.11.2					



NOTE ① PART No. ⑩ SHALL BE FINISHED AS TABLE SHOWN BELOW ACCORDING TO PANEL THICKNESS.
 (WASHER THICKNESS : 0.8)

PANEL THICKNESS	No. OF WASHER
t=0.7~1.0	2 EACH
t=1.5~1.8	1 EACH

7	ZINC ALLOY DIE CASTING	OVER: NICKEL PLATING 2μ m min UNDER: COPPER PLATING 10μ m min	10	STEEL	OVER: NICKEL PLATING 2μ m min UNDER: COPPER PLATING 3μ m min
6	PBT	UL94V-0(BLACK)	9	BRASS	OVER: NICKEL PLATING 2μ m min UNDER: COPPER PLATING 1μ m min
5	PBT	UL94V-0(BLACK)	8	STEEL	OVER: NICKEL PLATING 1μ m min UNDER: COPPER PLATING 5μ m min
1~4	PHOSPHOR BRONZE	CONTACT: GOLD PLATING 0.2μ m min DIP: GOLD PLATING 0.03μ m min UNDER: NICKEL PLATING 2μ m min			
NO.	MATERIAL	FINISH, REMARKS	NO.	MATERIAL	FINISH, REMARKS

CODE NO. (OLD)		DRAWN	DESIGNED	CHECKED	APPROVED	RELEASED
		T.KAMEYA	T.KAMEYA	Y.ENAMI	H.MIWA	
		03.10.06	03.10.06	03.10.07	03.10.08	
DRAWING NO. EDC3-029843-01			PART NO. DX10A-80S(50)			
SCALE 2 : 1			CODE NO. CL230-0052-2-50			
UNITS mm			HRS HIROSE ELECTRIC CO., LTD			

TO
Q1

X-ON Electronics

Largest Supplier of Electrical and Electronic Components

Click to view similar products for [I/O Connectors](#) category:

Click to view products by [Hirose](#) manufacturer:

Other Similar products are found below :

[571763P](#) [58098-0628](#) [72.250.1628.2](#) [72.250.2428.2](#) [74720-0505](#) [76.350.0729.0](#) [76871-1403](#) [FCN-244F080-G/1](#) [FCN-260A9920](#) [MP-5T180MUNNA-005](#) [PCR-E36PM](#) [PCS-XE26MA+](#) [G38A71314B](#) [1571250010](#) [157-22500-3](#) [MS3471L14-19P L/C](#) [192991-0703](#) [172501-4002](#) [172501-6002](#) [FCN-260C008-A/L0](#) [FCN-260C024-AL0](#) [FCN-261Z008](#) [2000314-1](#) [200331-1](#) [PCR-E36FC+](#) [PCS-E28FS+](#) [PCS-XE26SLFD+](#) [PCS-XE26SLFDT+](#) [G730VID08BDC24](#) [HDR-E14MSG1+](#) [U90B2054081210](#) [UE86K842720321](#) [38113800006](#)
[DP3AR020WQ1R200](#) [Z4.102.0680.0](#) [500-1040](#) [500-1052](#) [500-1054](#) [ZP-4008-66L](#) [0709821002](#) [DX40-20P\(55\)](#) [5554841-1](#) [MS3474W18-8P-LC*](#) [SM3106F14S-7S-LC](#) [U90B3054061110](#) [U65-E04-4020](#) [ZPF000000000097891](#) [557-262M2-06C](#) [747360449](#) [10099439-003C-TRLF](#)