

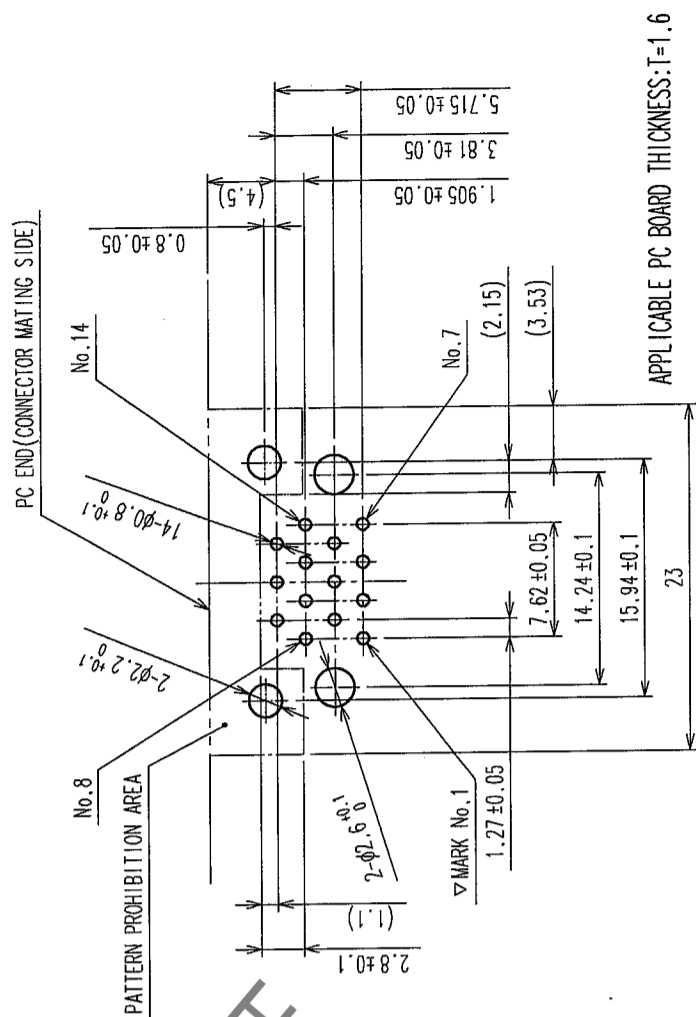
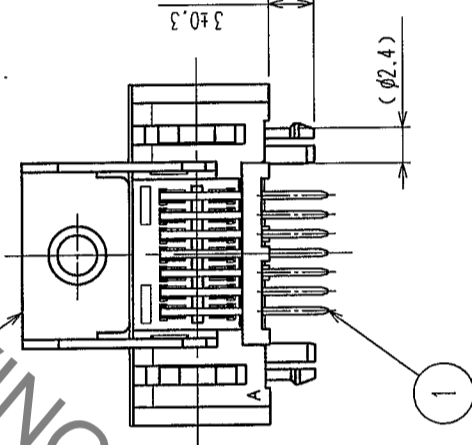
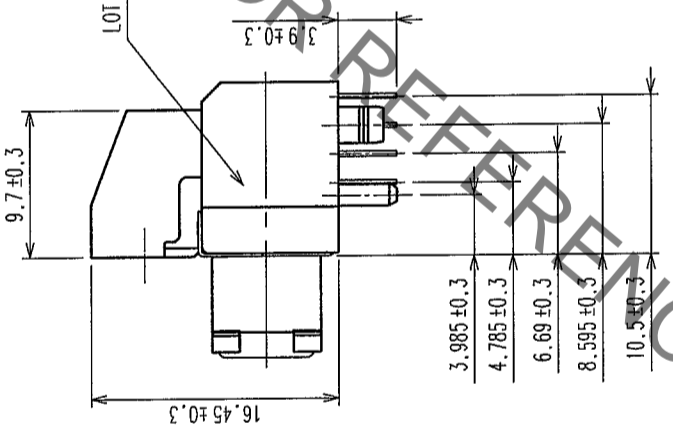
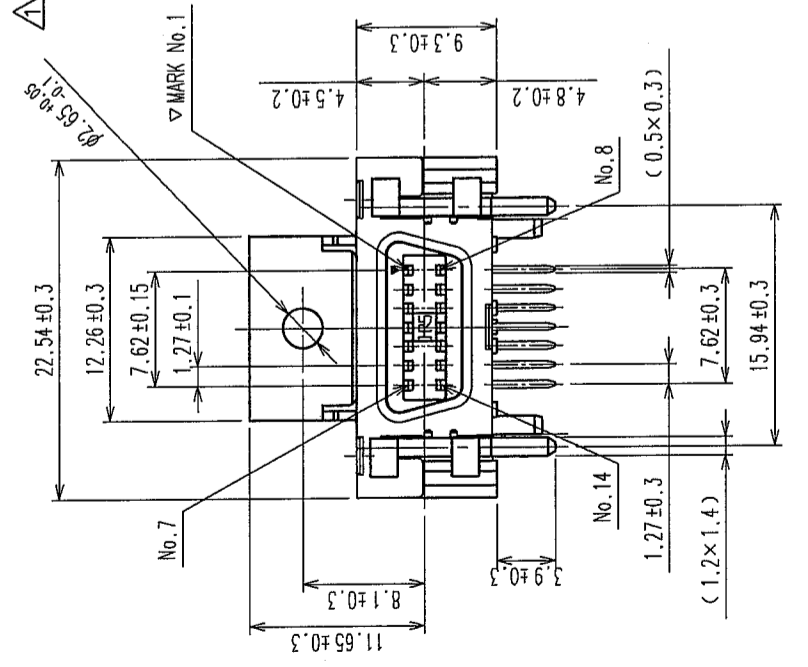
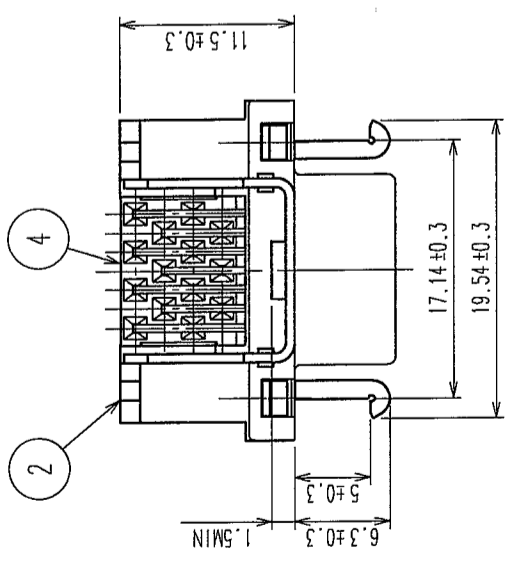
COUNT	DESCRIPTION OF REVISIONS	BY	CHKD	DATE	COUNT	DESCRIPTION OF REVISIONS	BY	CHKD	DATE
5	RE-E-10027	I.T	Y.E	04.06.03					

RECOMMENDED PC BOARD PATTERN (MOUNTING SIDE)

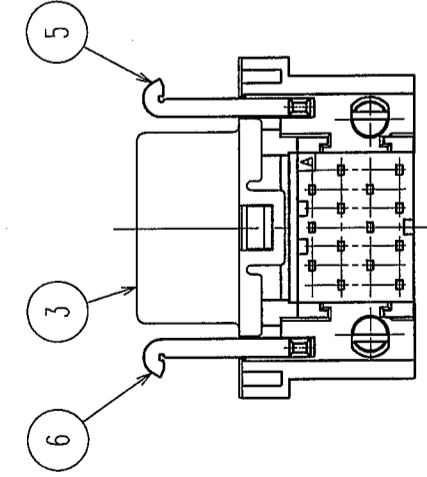
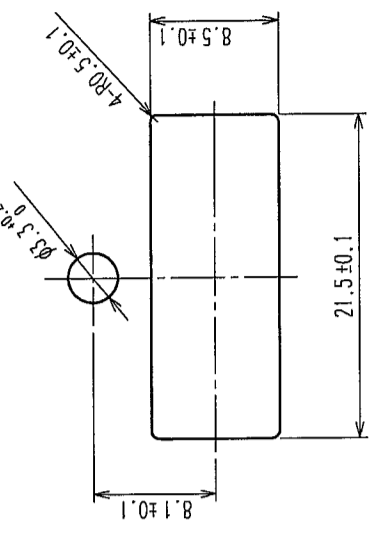
1 LOT MARKING (MANUFACTURE DATE, SYSTEM AS FOLLOWS.)
 EXAMPLE: 0 A 09
 (1)(2) (3)

- (1) SYMBOL INDICATING YEAR (THE LAST FIGURE OF THE CALENDAR YEAR)
 - (2) SYMBOL INDICATING MONTH (JAN:A, FEB:B, DEC:L)
 - (3) SYMBOL INDICATING DAY (DOUBLE FIGURES)
2. RECOMMEND TO USE THE TAPPING SCREW 3x10
 (JIS B 1122 No.1 OR No.2) AND CLAMP TORQUE
 OF SCREW TO BE 0.6~0.8 N.m

- 3 CONTACT PORTION : GOLD FLASH PLATING
 LEAD PORTION : GOLD PLATING 0.03µm MIN
 UNDERPLATING : NICKEL PLATING 1µm MIN
- 4 COPPER PLATING 3µm + TIN PLATING 3µm MIN



RECOMMENDED PANEL CUTOUT (PANEL THICKNESS: 3mm MAX)



NO.	MATERIAL	FINISH, REMARKS	NO.	MATERIAL	FINISH, REMARKS
3	STAINLESS STEEL		7	STEEL	NICKEL PLATING
2	PBT	(BLACK) UL94V-0	6	STEEL	4
1	BRASS	3	5	STEEL	4
			4	PBT	(BLACK) UL94V-0

CODE NO. (OLD)	DRAWN	DESIGNED	CHECKED	APPROVED	RELEASED
	T.KAMEYATA	KAMEYAYA	Y.ENAMI	H.MIWA	
	03.11.06	03.11.06	03.11.07	03.11.07	

DRAWING NO.	PART NO.
EDC3-122744-01	DX10LM2-14SE(50)

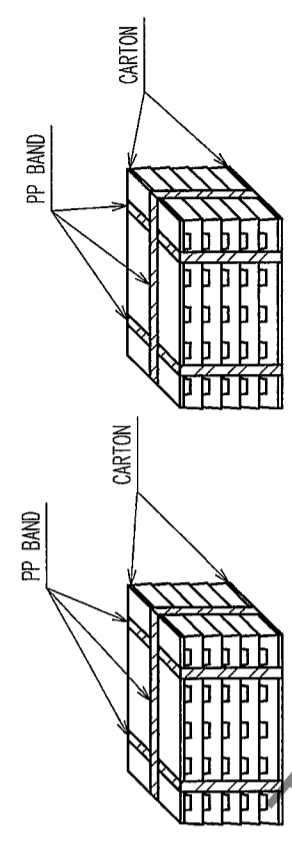
SCALE	CODE NO.
2 : 1	CL230-5262-2-50

UNITS	FORM NO.
mm	8

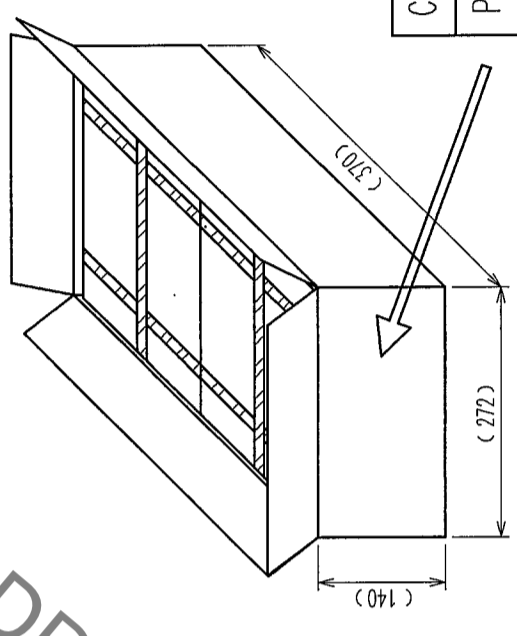
TO Q1

2 In case of consideration for using Automotive equipment / device which demand high reliability, kindly contact our sales window correspondents.

COUNT	DESCRIPTION OF REVISIONS	BY	CHKD	DATE	COUNT	DESCRIPTION OF REVISIONS	BY	CHKD	DATE
△									
△									
△									

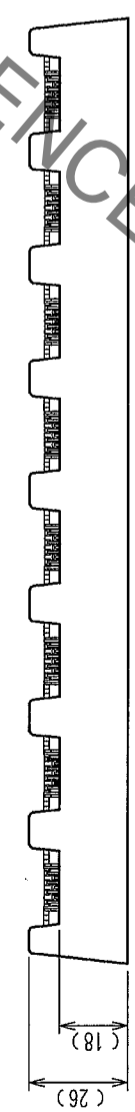
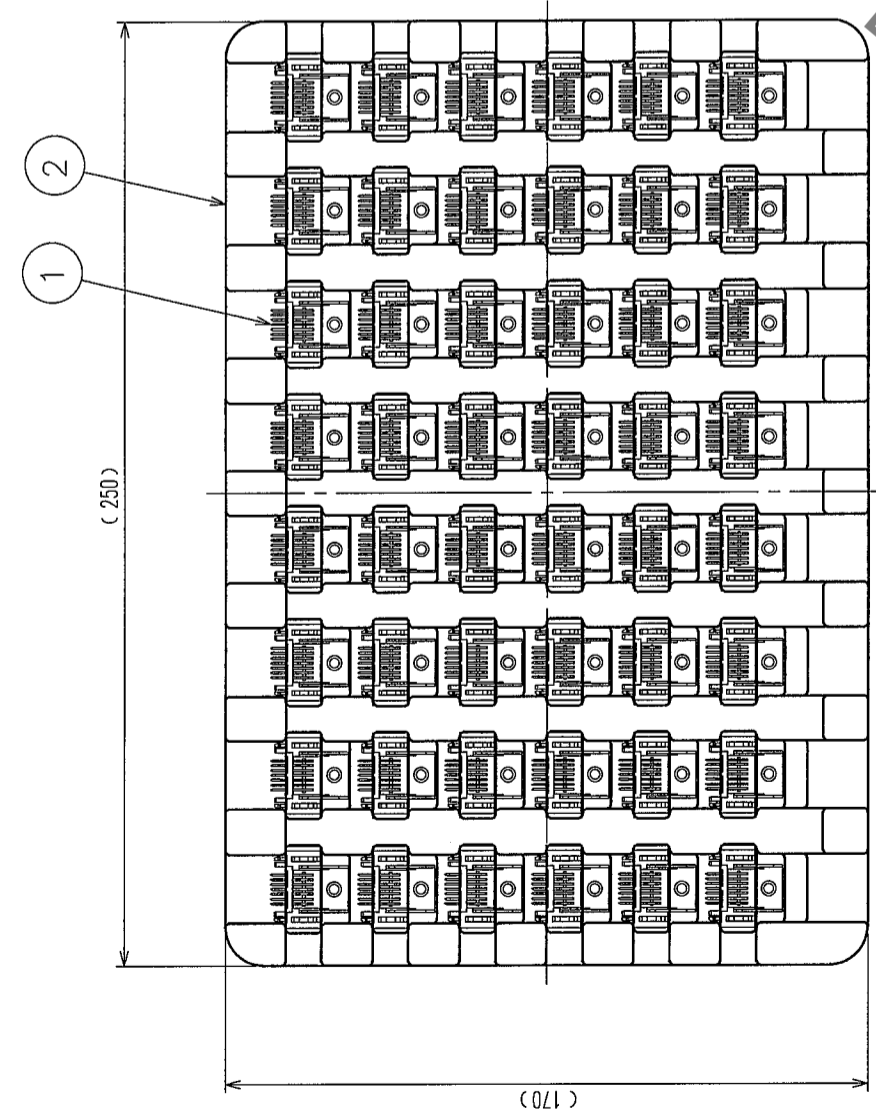


5-TRAY STACKED(240 PCS) 5-TRAY STACKED(240 PCS)



CUSTOMER	
PART No.	
QUANTITY	PCS

NOTE.1 48PCS/TRAY, 2 SETS OF 5-TRAY STACKED(240 PCS).
STORED INTO CARTON BOX(480PCS/BOX).



NO.	MATERIAL	FINISH, REMARKS	NO.	PS	TRAY
1	DX10LM2-14SE(50)	CONNECTOR	2		
CODE NO. (OLD)					
DRAWN			DESIGNED	CHECKED	APPROVED
Y. Kamaya			Y. Enami		
13.11.16			13.11.16	03.11.17	03.11.17
PART NO. DX10LM2-14SE(50)					
DRAWING NO. EDC3-122744-01					
SCALE 1 : 2					
UNITS mm					
HIROSE ELECTRIC CO., LTD					
CL230-5262-2-50					
2/2					

TO	
Q1	

X-ON Electronics

Largest Supplier of Electrical and Electronic Components

Click to view similar products for [I/O Connectors](#) category:

Click to view products by [Hirose](#) manufacturer:

Other Similar products are found below :

[571763P](#) [58098-0628](#) [72.250.1628.2](#) [72.250.2428.2](#) [74720-0505](#) [76.350.0729.0](#) [76871-1403](#) [FCN-244F080-G/1](#) [FCN-260A9920](#) [PCR-E36PM](#) [PCS-XE26MA+](#) [G38A71314B](#) [1571250010](#) [157-22500-3](#) [MS3471L14-19P L/C](#) [192991-0703](#) [172501-4002](#) [172501-6002](#) [FCN-260C008-A/L0](#) [FCN-260C024-AL0](#) [FCN-261Z008](#) [2000314-1](#) [200331-1](#) [PCR-E36FC+](#) [PCS-E28FS+](#) [PCS-XE26SLFD+](#) [PCS-XE26SLFDT+](#) [G730VID08BDC24](#) [U90B2054081210](#) [UE86K842720321](#) [38113800006](#) [DP3AR020WQ1R200](#) [Z4.102.0680.0](#) [500-1040](#) [500-1052](#) [500-1054](#) [ZP-4008-66L](#) [0709821002](#) [DX40-20P\(55\)](#) [5554841-1](#) [MS3474W18-8P-LC*](#) [SM3106F14S-7S-LC](#) [U90B3054061110](#) [U65-E04-4020](#) [ZPF000000000097891](#) [557-262M2-06C](#) [747360449](#) [10099439-003C-TRLF](#) [10137239-0021LF](#) [E9320-001-01](#)