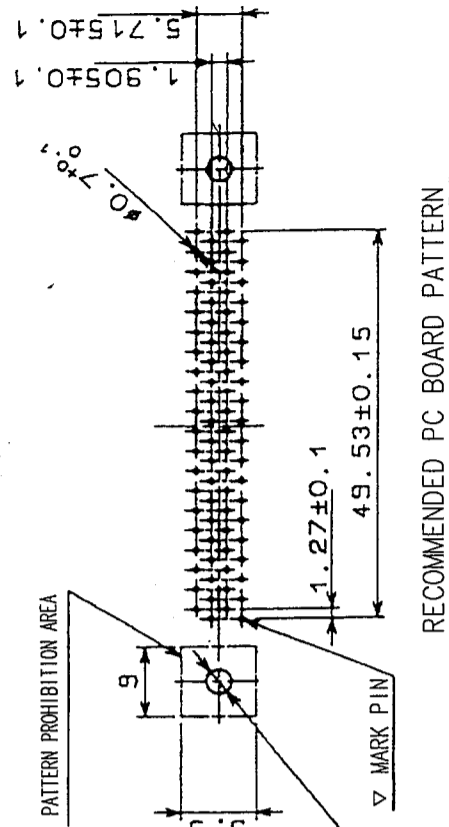
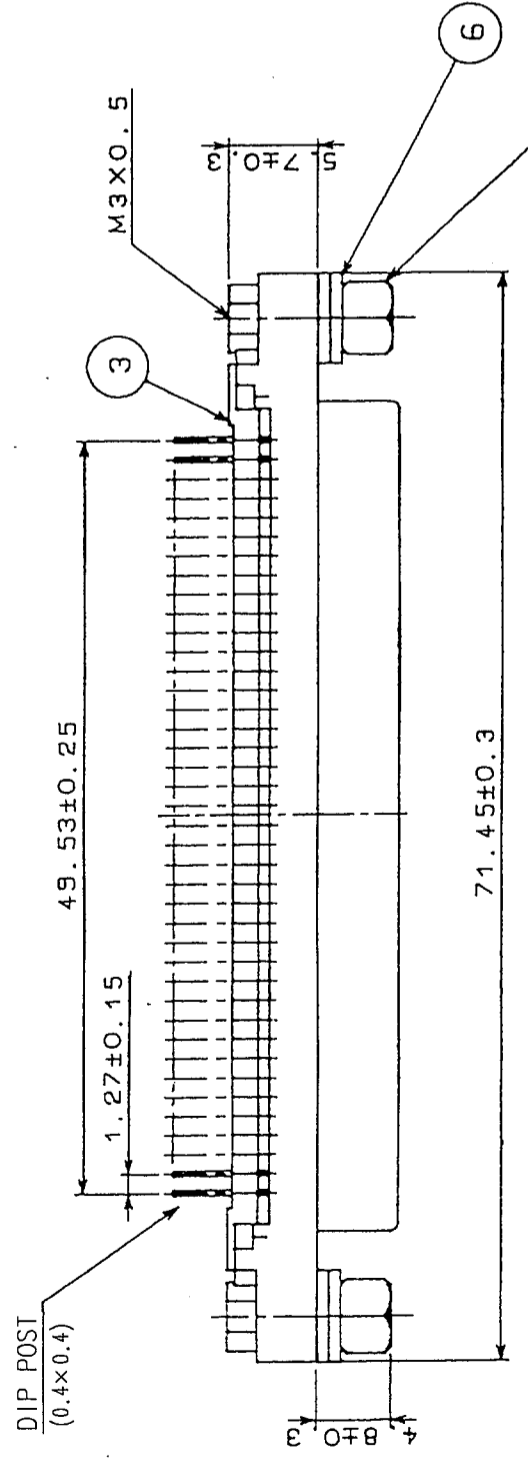
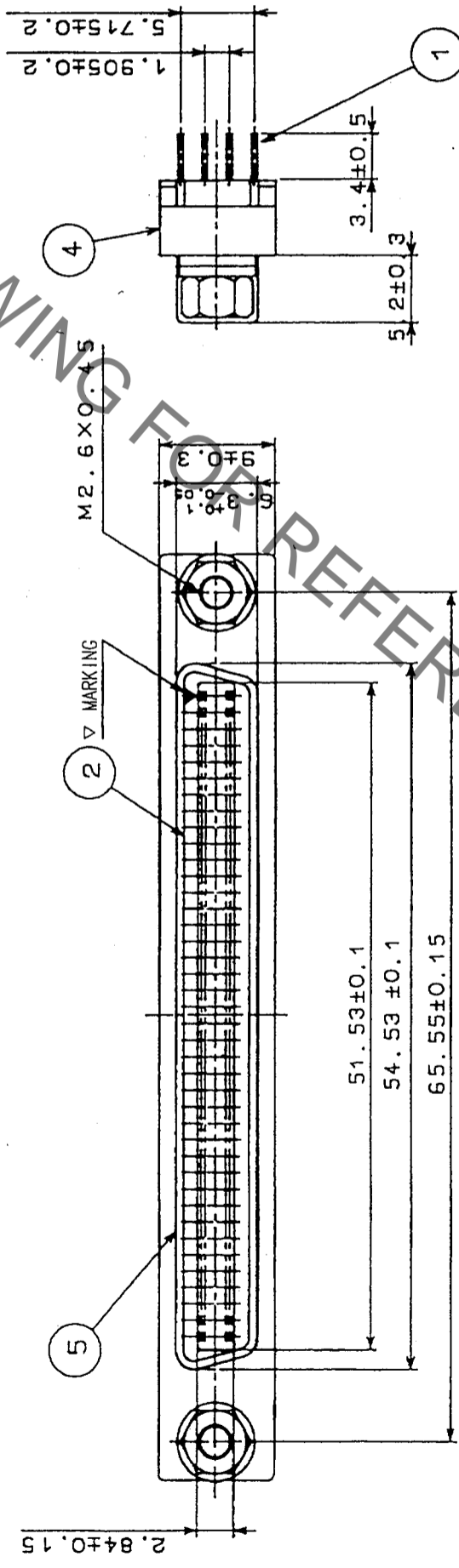


COUNT	DESCRIPTION OF REVISIONS	BY	CHKD	DATE	COUNT	DESCRIPTION OF REVISIONS	BY	CHKD	DATE
2	DIS-E-000192	T.Ho	Y.E	05.08.05					



RECOMMENDED PC BOARD PATTERN  
(SCALE 1/1)



RECOMMENDED PANEL CUTOUT (SCALE 1/1)  
(PANEL THICKNESS : 2mm MAX)

Note Please adjust the number of washers in accordance with the panel thickness.

Panel thickness (t)	Washer (pcs)
0 ~ 0.4	2
0.8 ~ 1.2	1
1.6 ~ 2.0	0

NO.	MATERIAL	FINISH, REMARKS	NO.	MATERIAL	FINISH, REMARKS
4	ZINC ALLOY DIE CASTING	NICKEL PLATING	7	BRASS	NICKEL PLATING
3	PBT	UL94V-0(BLACK)	6	STEEL	NICKEL PLATING
2	PBT	UL94V-0(BLACK)	5	STEEL	NICKEL PLATING
1	PHOSPHOR BRONZE	SELECTIVE GOLD PLATING 0.3µm			

CODE NO. (OLD)	CL	DRAWN	DESIGNED	CHECKED	APPROVED	RELEASED
		T. Yamaya	T. Yamaya	Y. Enami	H. Murai	
		03.10.21	03.10.21	03.10.21	03.10.22	

DRAWING NO.	PART NO.
EDC3-041446-01	DX20BM-80S(50)
SCALE 2:1	CODE NO. CL230-5021-6-50
UNITS mm	

TO	Q
----	---

## X-ON Electronics

Largest Supplier of Electrical and Electronic Components

*Click to view similar products for [I/O Connectors](#) category:*

*Click to view products by [Hirose](#) manufacturer:*

Other Similar products are found below :

[571763P](#) [58098-0628](#) [72.250.1628.2](#) [72.250.2428.2](#) [74720-0505](#) [76.350.0729.0](#) [76871-1403](#) [FCN-244F080-G/1](#) [FCN-260A9920](#) [PCR-E36PM](#) [PCS-XE26MA+](#) [G38A71314B](#) [1571250010](#) [157-22500-3](#) [MS3471L14-19P L/C](#) [192991-0703](#) [172501-4002](#) [172501-6002](#) [FCN-260C008-A/L0](#) [FCN-260C024-AL0](#) [FCN-261Z008](#) [2000314-1](#) [200331-1](#) [PCR-E36FC+](#) [PCS-E28FS+](#) [PCS-XE26SLFD+](#) [PCS-XE26SLFDT+](#) [G730VID08BDC24](#) [U90B2054081210](#) [UE86K842720321](#) [38113800006](#) [DP3AR020WQ1R200](#) [Z4.102.0680.0](#) [500-1040](#) [500-1052](#) [500-1054](#) [ZP-4008-66L](#) [0709821002](#) [DX40-20P\(55\)](#) [5554841-1](#) [MS3474W18-8P-LC\\*](#) [SM3106F14S-7S-LC](#) [U90B3054061110](#) [U65-E04-4020](#) [ZPF000000000097891](#) [557-262M2-06C](#) [747360449](#) [10099439-003C-TRLF](#) [10137239-0021LF](#) [E9320-001-01](#)