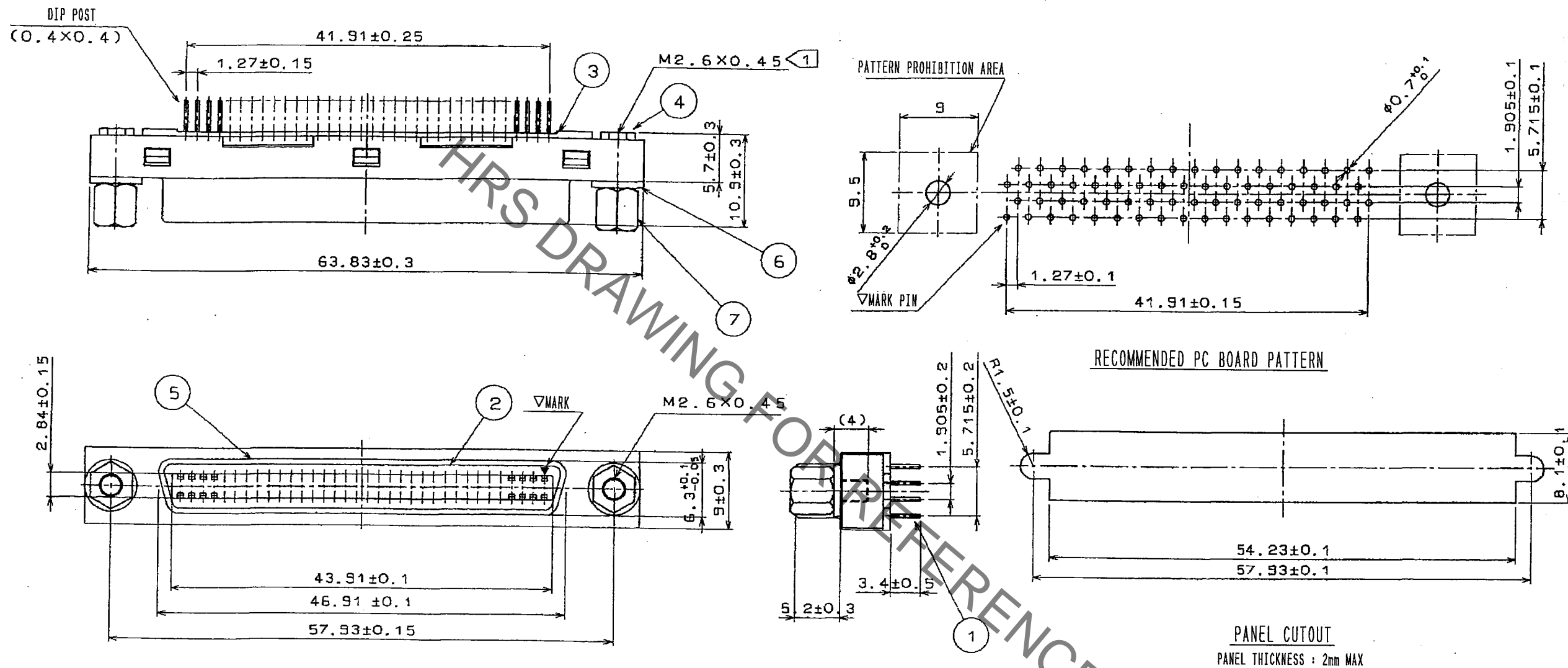


Jun.1.2020 Copyright 2020 HIROSE ELECTRIC CO., LTD. All Rights Reserved.
In case of consideration for using Automotive equipment / device which demand high reliability, kindly contact our sales window correspondents.



NOTE 1 USE M2.6x0.45x4 SCREW FOR FITTING.

4	STEEL	NICKEL PLATING 2μm MIN UNDER COPPER PLATING 1μm MIN			
3	PBT	UL94V-0. BLACK	7	STEEL	NICKEL PLATING 2μm MIN UNDER COPPER PLATING 1μm MIN
2	PBT	UL94V-0. BLACK	6	STEEL	NICKEL PLATING 2μm MIN UNDER COPPER PLATING 3μm MIN
1	PHOSPHOR BRONZE	CONTACT AREA GOLD PLATING 0.3μm MIN DIP AREA GOLD PLATING 0.03μm MIN	5	STEEL	NICKEL PLATING 1μm MIN UNDER COPPER PLATING 5μm MIN
NO.	MATERIAL	FINISH . REMARKS	NO.	MATERIAL	FINISH . REMARKS
UNITS mm		SCALE 2 : 1	COUNT 	DESCRIPTION OF REVISIONS	
DESIGNED		CHECKED		DATE	
APPROVED : NM.NISHIMATSU 16.5.20		DRAWING NO. EDC-042832-51-00			
CHECKED : NM.NISHIMATSU 16.5.20		PART NO. DX20CM-68S(51)			
DESIGNED : T.Ito 16.5.19		CODE NO. CL0230-5086-1-51			
DRAWN : T.Ito 16.5.19					

X-ON Electronics

Largest Supplier of Electrical and Electronic Components

Click to view similar products for [I/O Connectors](#) category:

Click to view products by [Hirose](#) manufacturer:

Other Similar products are found below :

[571763P](#) [58098-0628](#) [72.250.1628.2](#) [72.250.2428.2](#) [74720-0505](#) [76.350.0729.0](#) [76871-1403](#) [FCN-244F080-G/1](#) [FCN-260A9920](#) [MP-5T180MUNNA-005](#) [PCR-E36PM](#) [PCS-XE26MA+](#) [G38A71314B](#) [1571250010](#) [157-22500-3](#) [MS3471L14-19P L/C](#) [192991-0703](#) [172501-4002](#) [172501-6002](#) [FCN-260C008-A/L0](#) [FCN-260C024-AL0](#) [FCN-261Z008](#) [2000314-1](#) [200331-1](#) [PCR-E36FC+](#) [PCS-E28FS+](#) [PCS-XE26SLFD+](#) [PCS-XE26SLFDT+](#) [G730VID08BDC24](#) [HDR-E14MSG1+](#) [U90B2054081210](#) [UE86K842720321](#) [38113800006](#)
[DP3AR020WQ1R200](#) [Z4.102.0680.0](#) [500-1040](#) [500-1052](#) [500-1054](#) [ZP-4008-66L](#) [0709821002](#) [DX40-20P\(55\)](#) [5554841-1](#) [MS3474W18-8P-LC*](#) [SM3106F14S-7S-LC](#) [U90B3054061110](#) [U65-E04-4020](#) [ZPF000000000097891](#) [557-262M2-06C](#) [747360449](#) [10099439-003C-TRLF](#)