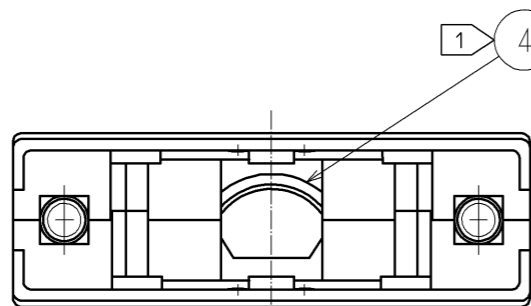
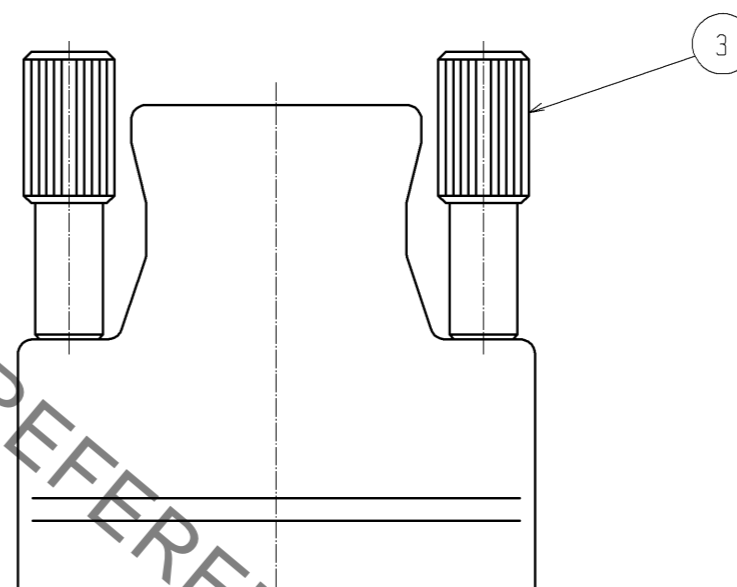
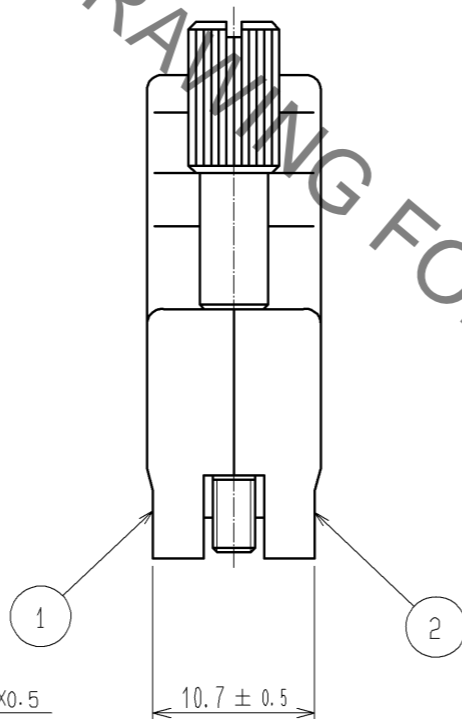
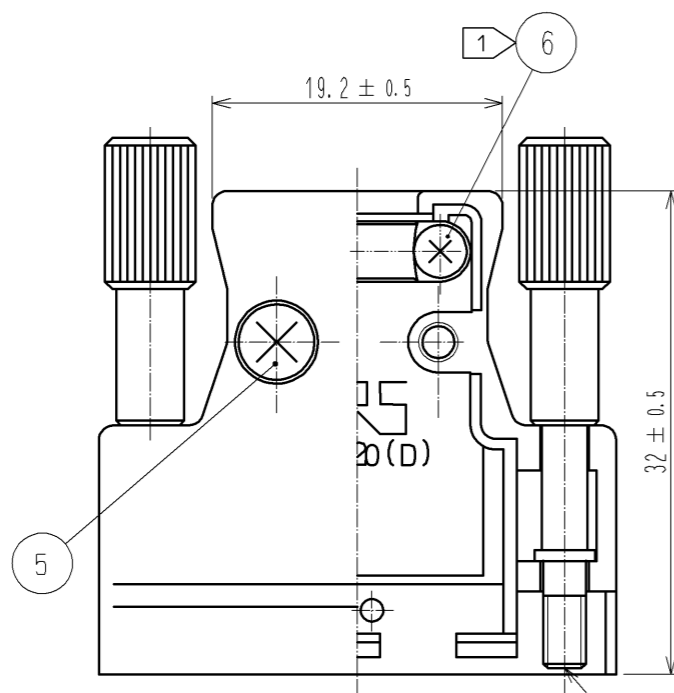
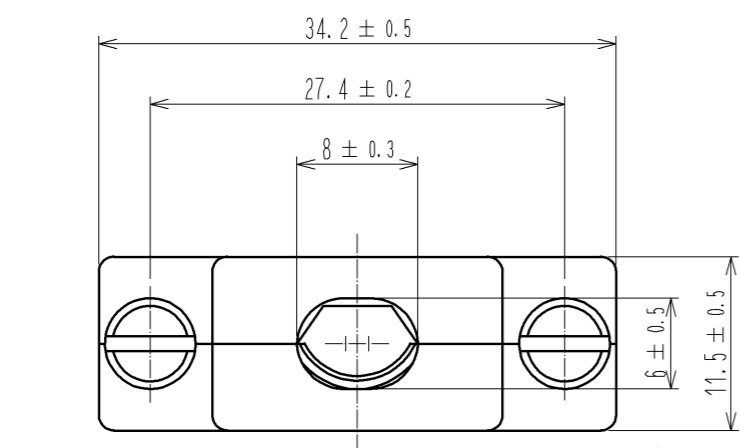


Sep.1.2021 Copyright 2021 HIROSE ELECTRIC CO., LTD. All Rights Reserved.  
 In case of consideration for using Automotive equipment / device which demand high reliability, kindly contact our sales window correspondents.



HRS DRAWING FOR REFERENCE

NOTE ① COMPONENTS OF REF. NO. ④ AND ⑥ ARE APPENDED PRODUCTS.

3	STEEL	NICKEL PLATING 5μm min	6	STEEL	NICKEL PLATING 3μm min
2	ZINC ALLOY DIE CASTING	SILVER BURNING COATING	5	BRASS	NICKEL PLATING 3μm min
1	ZINC ALLOY DIE CASTING	SILVER BURNING COATING	4	STAINLESS STEEL	
NO.	MATERIAL	FINISH . REMARKS	NO.	MATERIAL	FINISH . REMARKS

UNITS mm		SCALE 2 : 1	COUNT 	DESCRIPTION OF REVISIONS	DESIGNED	CHECKED	DATE
HIROSE ELECTRIC CO., LTD.				APPROVED : YH. ENAMI 08.12.09 CHECKED : HO. MIWA 08.12.09 DESIGNED : YH. MAMADA 08.12.08 DRAWN : YH. MAMADA 08.12.08	DRAWING NO. EDC3-040768-01 PART NO. DX-20-CV1 CODE NO. CL230-0054-8-00		

## X-ON Electronics

Largest Supplier of Electrical and Electronic Components

*Click to view similar products for [D-Sub Backshells](#) category:*

*Click to view products by [Hirose](#) manufacturer:*

Other Similar products are found below :

[600X51137X](#) [600X54009X](#) [66241-12A](#) [M85049/6-38N](#) [M85049/86-12N03](#) [M85049/90-13P03](#) [70.350.0636.4](#) [70.350.2435.1](#) [72.350.1035.2](#)  
[72.352.2435.1](#) [73.359.4035.3](#) [829472-1](#) [PCS-E20W](#) [970-015-040R011](#) [971-009-030R121](#) [971-009-040R011](#) [971-015-040R011](#) [DPH-B-003](#)  
[1437013-9](#) [1484402-8](#) [156-3025-EX](#) [16-500800](#) [165X02659X](#) [165X03399A](#) [165X10259X](#) [165X11359X](#) [165X11759X](#) [165X11889X](#)  
[165X11899X](#) [165X13019X](#) [165X13029X](#) [165X13169X](#) [165X13199X](#) [165X13239X](#) [165X13389X](#) [165X13489X](#) [165X14219X](#)  
[165X14429X](#) [165X14449X](#) [165X17409X](#) [165X17439X](#) [165X17569X](#) [165X17599X](#) [165X17609X](#) [165X17979X](#) [L171373](#) [971-025-](#)  
[030R121](#) [300X10989X](#) [165X02609X](#) [165X02639X](#)