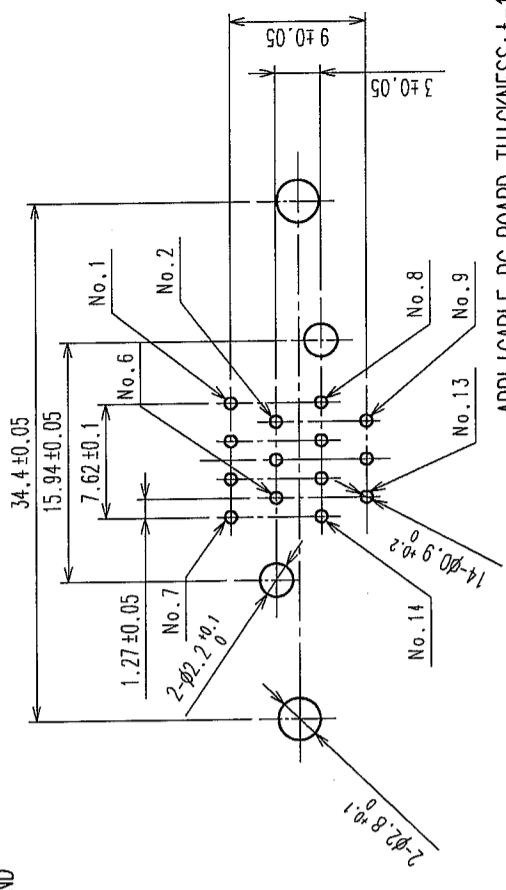


COUNT	DESCRIPTION OF REVISIONS	BY	CHKD	DATE	COUNT	DESCRIPTION OF REVISIONS	BY	CHKD	DATE
4	RE-E-10027	T.I	Y.E	04.06.03					

**RECOMMENDED PC BOARD PATTERN  
(MOUNTING DIMENSION)**

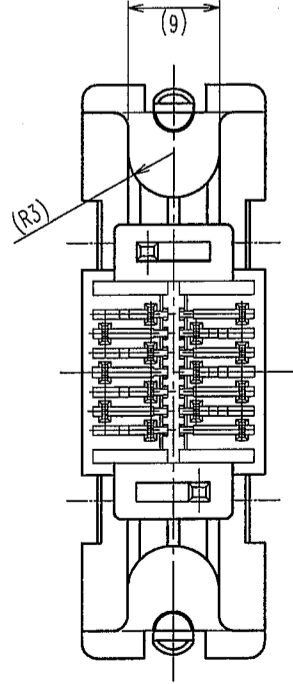
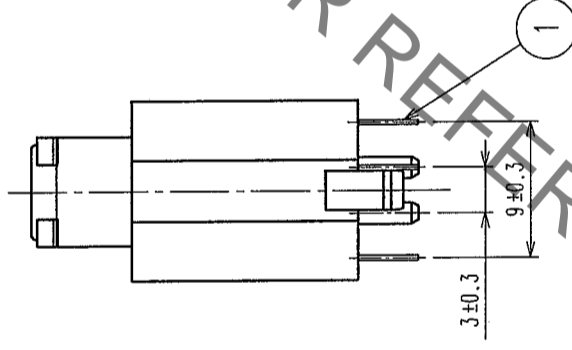
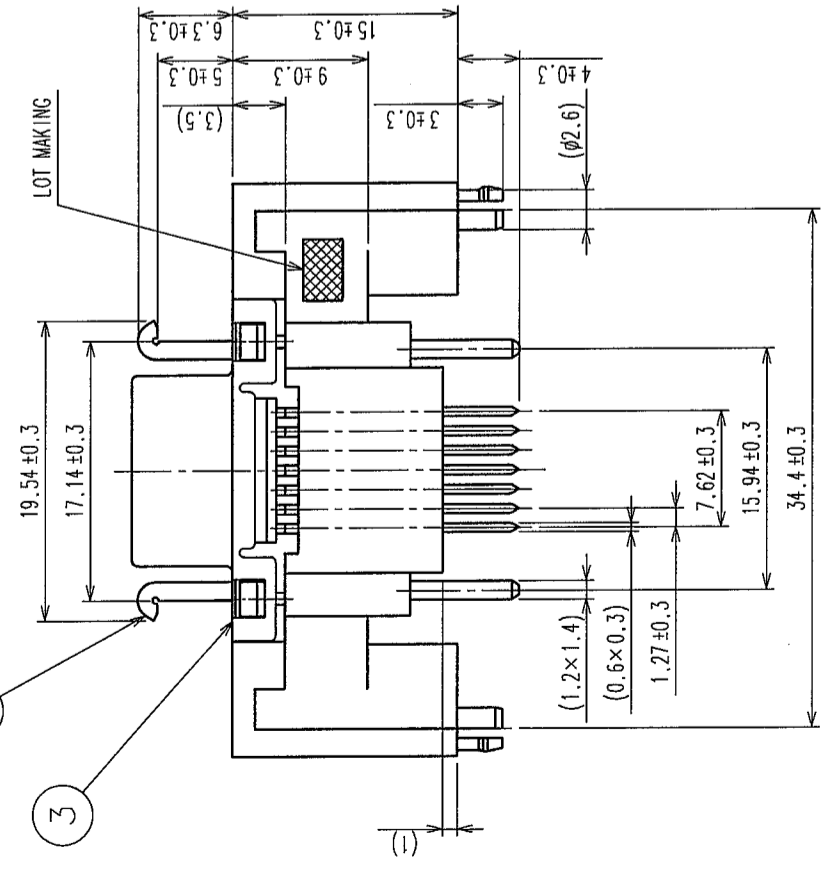
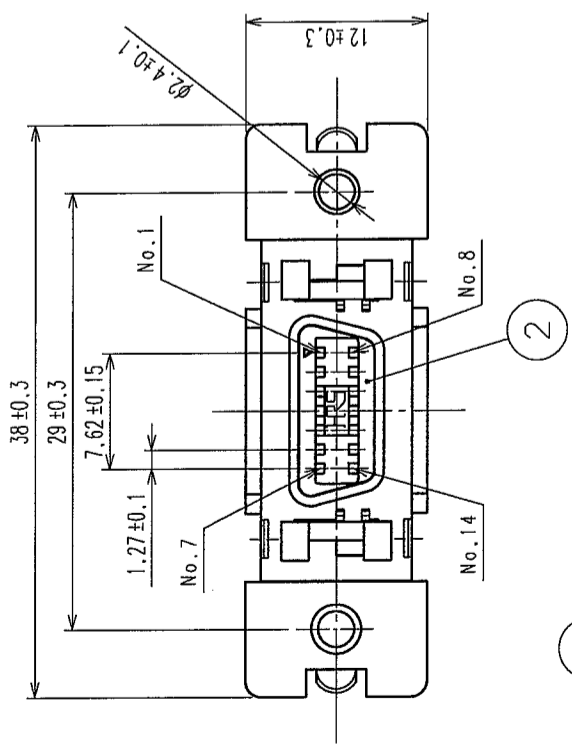
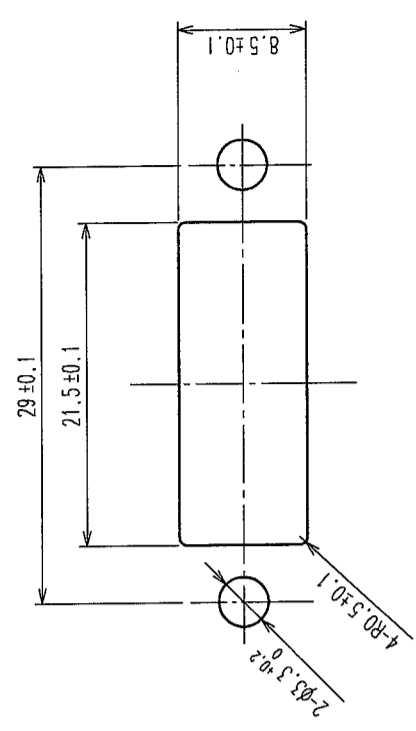
NOTE. 1 RECOMMEND TO USE THE TAPPING SCREW 3×10(JIS B 1122 No.1 ORNo.2) AND CLAMP TORQUE OF SCREW TO BE 0.5~0.7Nm.  
 2 LOT MAKING(MANUFACTURE DATE, SYSTEM AS FOLLOWS.)  
 EXAMPLE: O A O 9  
 (1)(2) (3)

- (1) SYMBOL INDICATING YEAR(THE LAST FIGURE OF THE CALENDAR YEAR)
- (2) SYMBOL INDICATING MONTH(JAN.:A, FEB.:B, TO DEC.:I)
- (3) SYMBOL INDICATING DAY(DOUBLE FIGURES)
- 3 CONTACT PORTION : GOLD FLASH PLATING  
LEAD PORTION : GOLD PLATING 0.03μm MIN  
UNDERPLATING : NICKEL PLATING 1μm MIN  
COPPER PLATING 3μm + TIN PLATING 3μm MIN
- 4 (BLACK) UL94V-0
- 3 STAINLESS STEEL



APPLICABLE PC BOARD THICKNESS: t=1.6

RECOMENED PANEL CUTOUT  
(PANEL THICKNESS:3mm MAX)



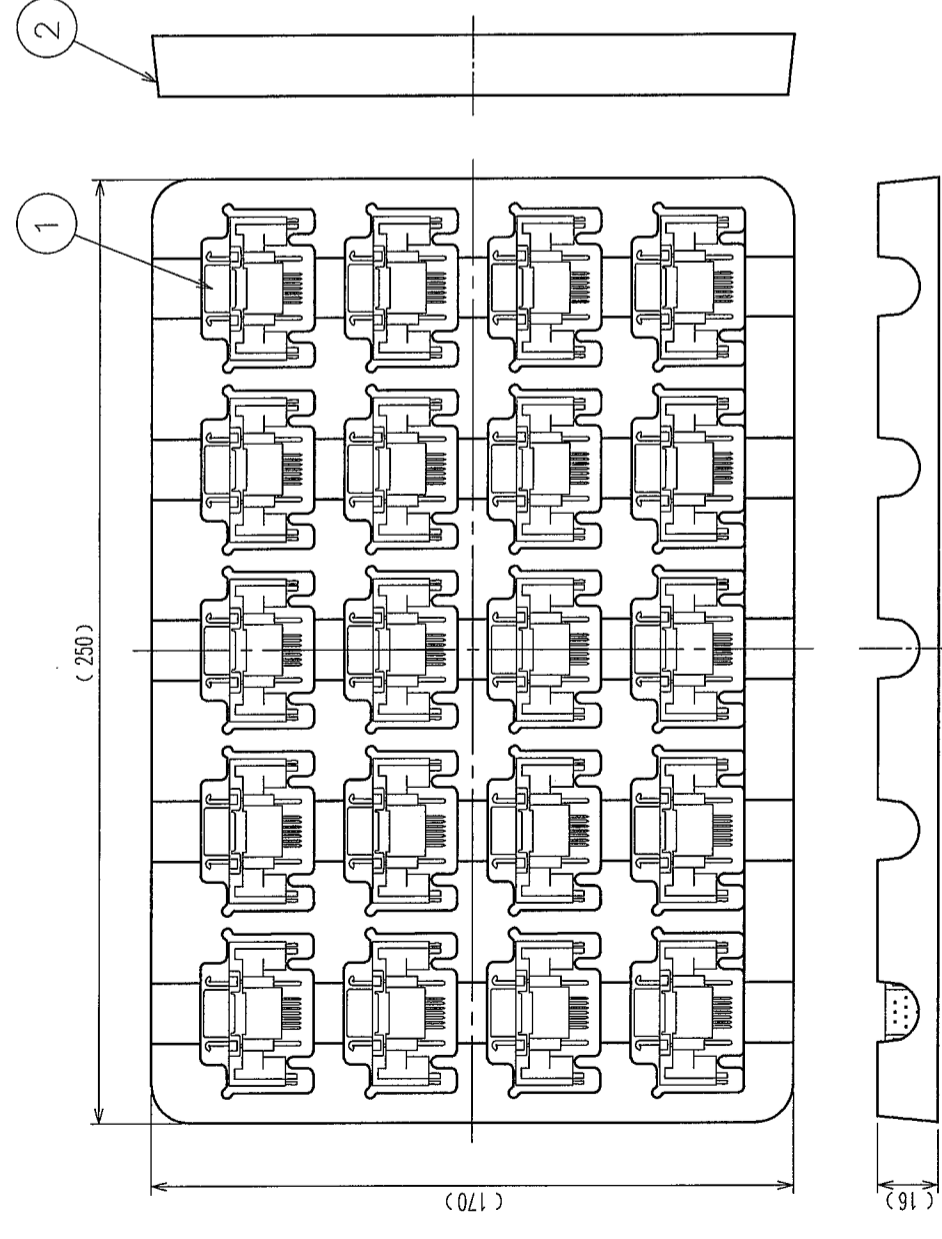
NO.	MATERIAL	FINISH, REMARKS	NO.	MATERIAL	FINISH, REMARKS
2	PBT	(BLACK) UL94V-0	4	STEEL	4
1	BRASS	3	3	STAINLESS STEEL	
CODE NO. (OLD)					
DRAWN		DESIGNED	CHECKED	APPROVED	RELEASED
T.KAMEYATA, KAMEYA		Y.ENAMI	H.MIWA		
03.11.06		03.11.06	03.11.07		
DRAWING NO. EDC3-122030-02		PART NO. DX20LM-14SE(50)			
SCALE 2 : 1		CODE NO. CL230-5257-2-50			
UNITS mm		HIROSE ELECTRIC CO., LTD			

TO	
Q1	

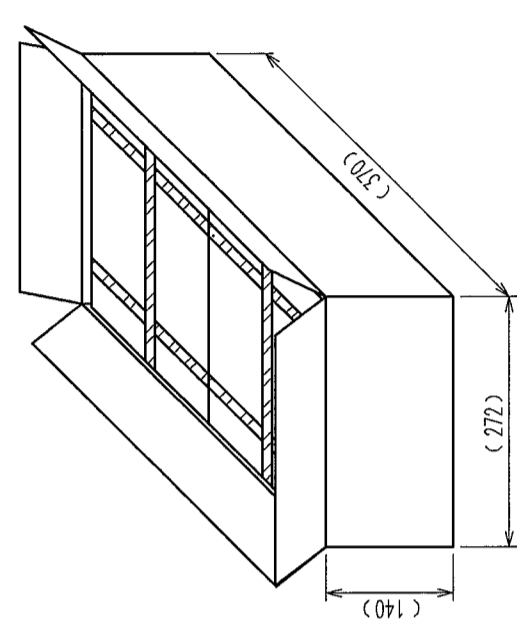
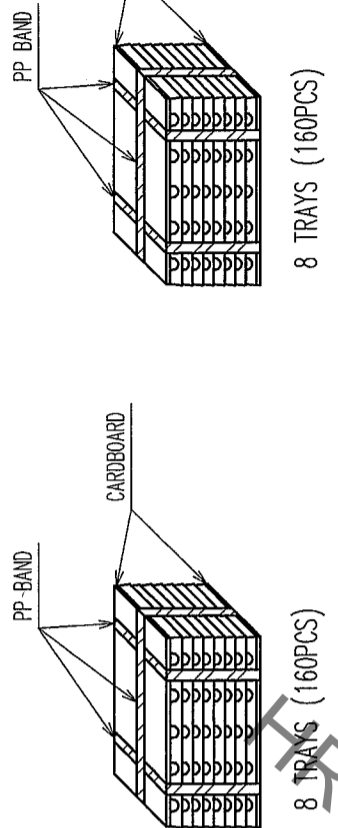
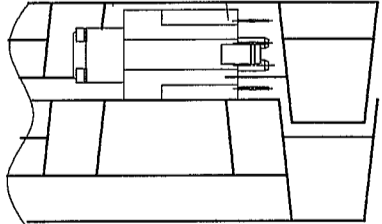
2 In case of consideration for using Automotive equipment / device which demand high reliability, kindly contact our sales window correspondents.

8

COUNT	DESCRIPTION OF REVISIONS	BY	CHKD	DATE	COUNT	DESCRIPTION OF REVISIONS	BY	CHKD	DATE
△					△				
△					△				



CONNECTOR RETENTION DESIGN ( 1 : 1 )



NOTE.1 20 PIECES PER TRAY, TWO SETS OF 8 PILED TRAYS TO BE PLACED IN A CARTON. 320 PIECES/CARTON.

1	DX20LM-14SE(50)	CONNECTOR	2	TRAY	PS
NO.	MATERIAL	FINISH, REMARKS	NO.	MATERIAL	FINISH, REMARKS
CODE NO. (OLD)	CL		DRAWN	DESIGNED	CHECKED
			<i>Y. Enami</i>	<i>Y. Enami</i>	<i>Y. Enami</i>
			03.11.07	03.11.07	03.11.07
DRAWING NO.		PART NO.		RELEASED	
EDC3-122030-02		DX20LM-14SE(50)			
SCALE	1 : 2	CODE NO.		2/2	
UNITS	MM	HIROSE ELECTRIC CO., LTD		CL230-5257-2-50	

TO	Q1
----	----

## X-ON Electronics

Largest Supplier of Electrical and Electronic Components

*Click to view similar products for [I/O Connectors](#) category:*

*Click to view products by [Hirose](#) manufacturer:*

Other Similar products are found below :

[571763P](#) [58098-0628](#) [72.250.1628.2](#) [72.250.2428.2](#) [74720-0505](#) [76.350.0729.0](#) [76871-1403](#) [FCN-244F080-G/1](#) [FCN-260A9920](#) [PCR-E36PM](#) [PCS-XE26MA+](#) [G38A71314B](#) [1571250010](#) [157-22500-3](#) [MS3471L14-19P L/C](#) [192991-0703](#) [172501-4002](#) [172501-6002](#) [FCN-260C008-A/L0](#) [FCN-260C024-AL0](#) [FCN-261Z008](#) [2000314-1](#) [200331-1](#) [PCR-E36FC+](#) [PCS-E28FS+](#) [PCS-XE26SLFD+](#) [PCS-XE26SLFDT+](#) [G730VID08BDC24](#) [U90B2054081210](#) [38113800006](#) [DP3AR020WQ1R200](#) [Z4.102.0680.0](#) [500-1040](#) [500-1052](#) [500-1054](#) [ZP-4008-66L](#) [0709821002](#) [DX40-20P\(55\)](#) [5554841-1](#) [MS3474W18-8P-LC\\*](#) [U90B3054061110](#) [U65-E04-4020](#) [ZPF000000000097891](#) [747360449](#) [10099439-003C-TRLF](#) [10137239-0021LF](#) [E9320-001-01](#) [10137239-0011LF](#) [70289-001LF](#) [70.060.1028.0](#)