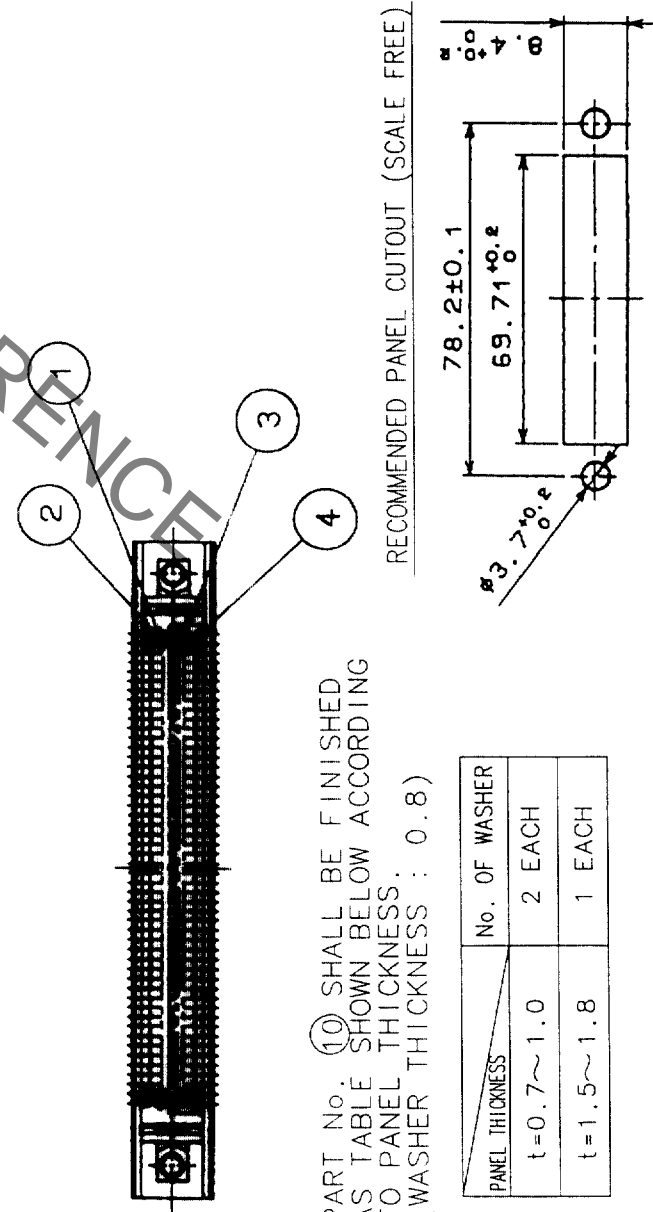
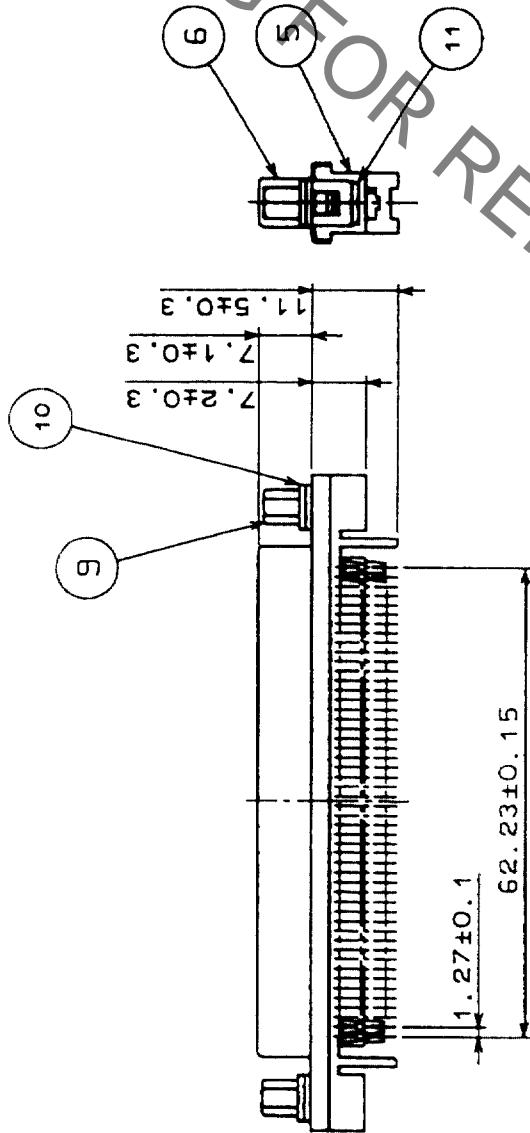
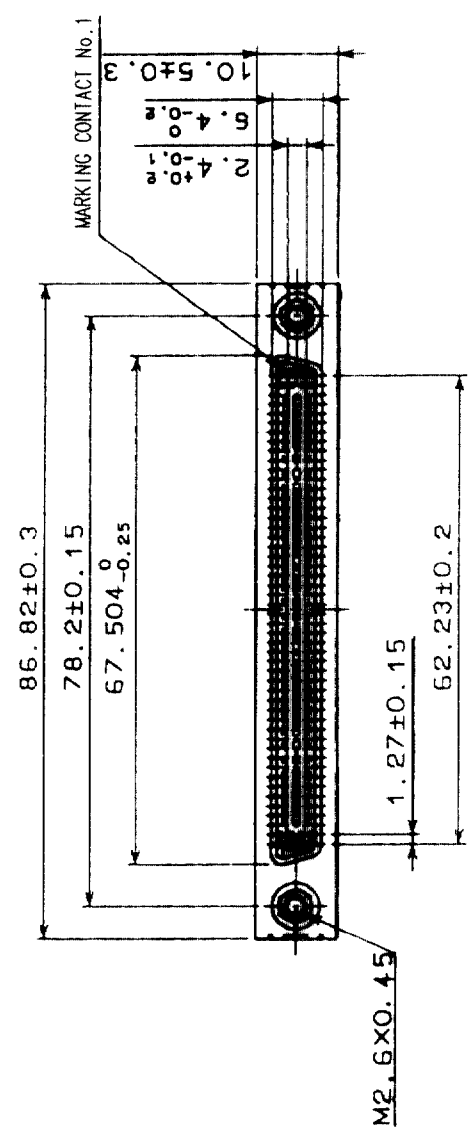
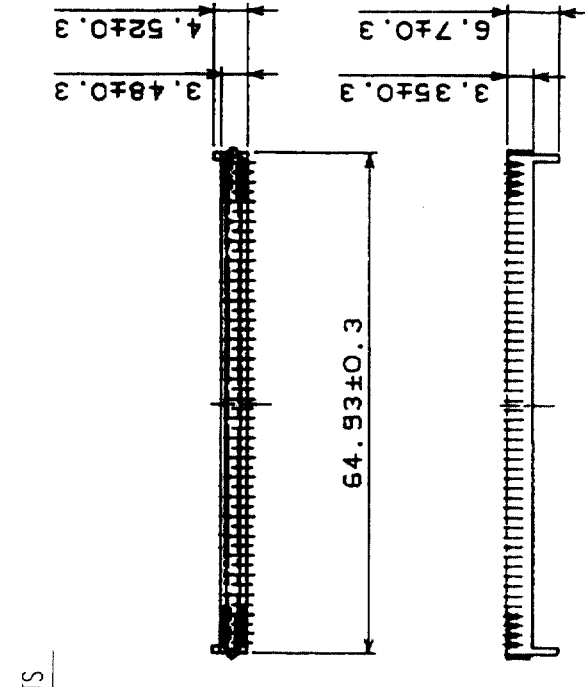
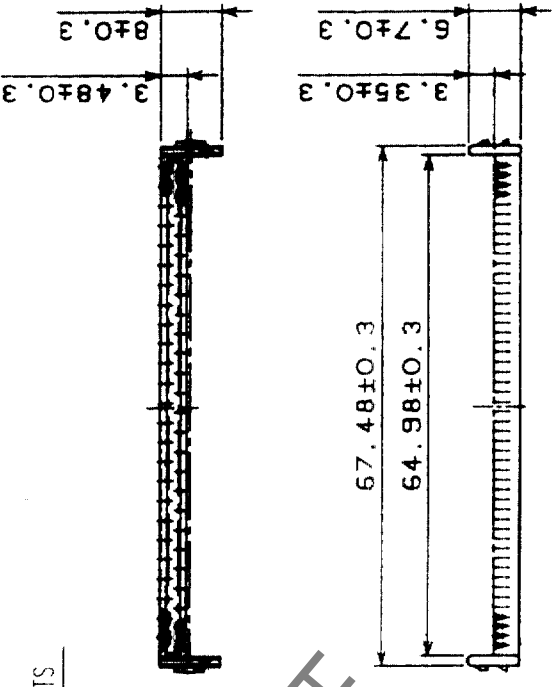


COUNT	DESCRIPTION OF REVISIONS	BY	CHKD	DATE	COUNT	DESCRIPTION OF REVISIONS	BY	CHKD	DATE
△△					△△				



NOTE ① PART No. ⑩ SHALL BE FINISHED AS TABLE SHOWN BELOW ACCORDING TO PANEL THICKNESS: (WASHER THICKNESS : 0.8)

PANEL THICKNESS	No. OF WASHER
t=0.7~1.0	2 EACH
t=1.5~1.8	1 EACH



NO.	MATERIAL	FINISH, REMARKS	NO.	MATERIAL	FINISH, REMARKS
6	STEEL	NICKEL PLATING	11	STEEL	NICKEL PLATING
5	PBT	UL94V-0(MILKY-WHITE)	10	STEEL	NICKEL PLATING
4	PHOSPHOR BRONZE	SELECTIVE GOLD PLATING 0.2μm	9	STEEL	NICKEL PLATING
3	PHOSPHOR BRONZE	SELECTIVE GOLD PLATING 0.2μm	8	PBT	UL94V-0(BLACK)
2	PHOSPHOR BRONZE	SELECTIVE GOLD PLATING 0.2μm	7	PBT	UL94V-0(BLACK)
1	PHOSPHOR BRONZE	SELECTIVE GOLD PLATING 0.2μm			

CL	DESIGNED	CHECKED	APPROVED	RELEASED
	<i>J. Hanaga</i>	<i>Y. Gama</i>	<i>H. Mura</i>	
	03.10.7	03.10.7	03.10.09	
DRAWING NO.	PART NO.		CODE NO.	
EDC3-042256-01	DX30A-100S-LNA(50)		CL230-0168-7-50	
SCALE	UNITS			
1 : 1	mm			

HRS DRAWING FOR REFERENCE

TO	
Q	

X-ON Electronics

Largest Supplier of Electrical and Electronic Components

Click to view similar products for [I/O Connectors](#) category:

Click to view products by [Hirose](#) manufacturer:

Other Similar products are found below :

[571763P](#) [58098-0628](#) [72.250.1628.2](#) [72.250.2428.2](#) [74720-0505](#) [76.350.0729.0](#) [76871-1403](#) [FCN-244F080-G/1](#) [FCN-260A9920](#) [PCR-E36PM](#) [PCS-XE26MA+](#) [G38A71314B](#) [1571250010](#) [157-22500-3](#) [MS3471L14-19P L/C](#) [192991-0703](#) [172501-4002](#) [172501-6002](#) [FCN-260C008-A/L0](#) [FCN-260C024-AL0](#) [FCN-261Z008](#) [2000314-1](#) [200331-1](#) [PCR-E36FC+](#) [PCS-E28FS+](#) [PCS-XE26SLFD+](#) [PCS-XE26SLFDT+](#) [G730VID08BDC24](#) [U90B2054081210](#) [UE86K842720321](#) [38113800006](#) [DP3AR020WQ1R200](#) [Z4.102.0680.0](#) [500-1040](#) [500-1052](#) [500-1054](#) [ZP-4008-66L](#) [0709821002](#) [DX40-20P\(55\)](#) [5554841-1](#) [MS3474W18-8P-LC*](#) [SM3106F14S-7S-LC](#) [U90B3054061110](#) [U65-E04-4020](#) [ZPF000000000097891](#) [557-262M2-06C](#) [747360449](#) [10099439-003C-TRLF](#) [10137239-0021LF](#) [E9320-001-01](#)