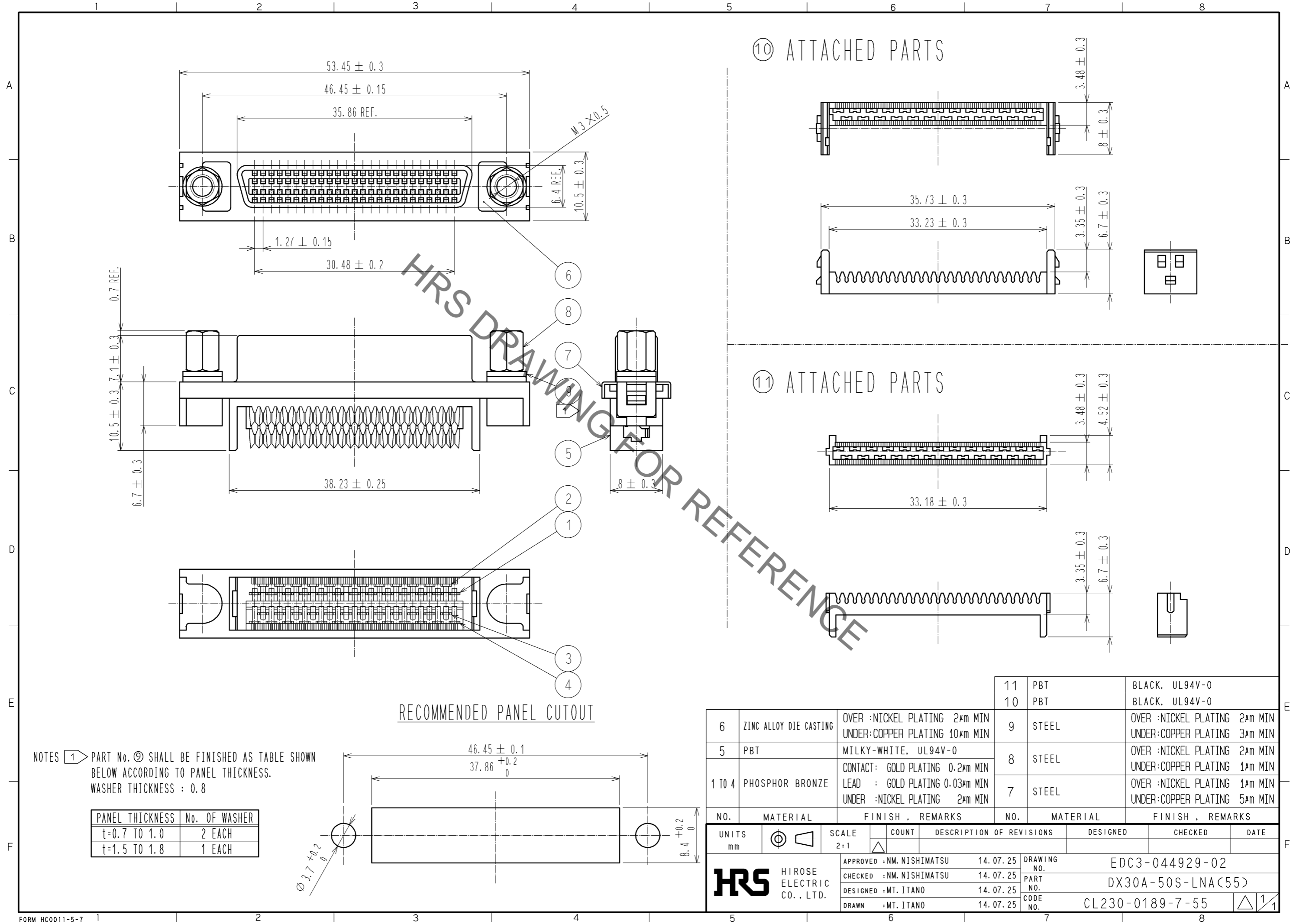
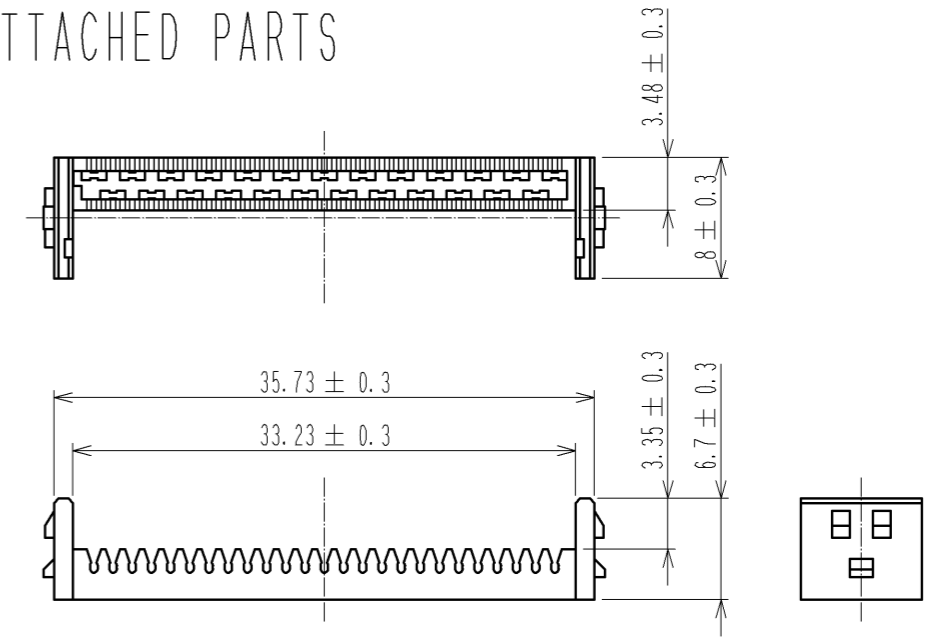


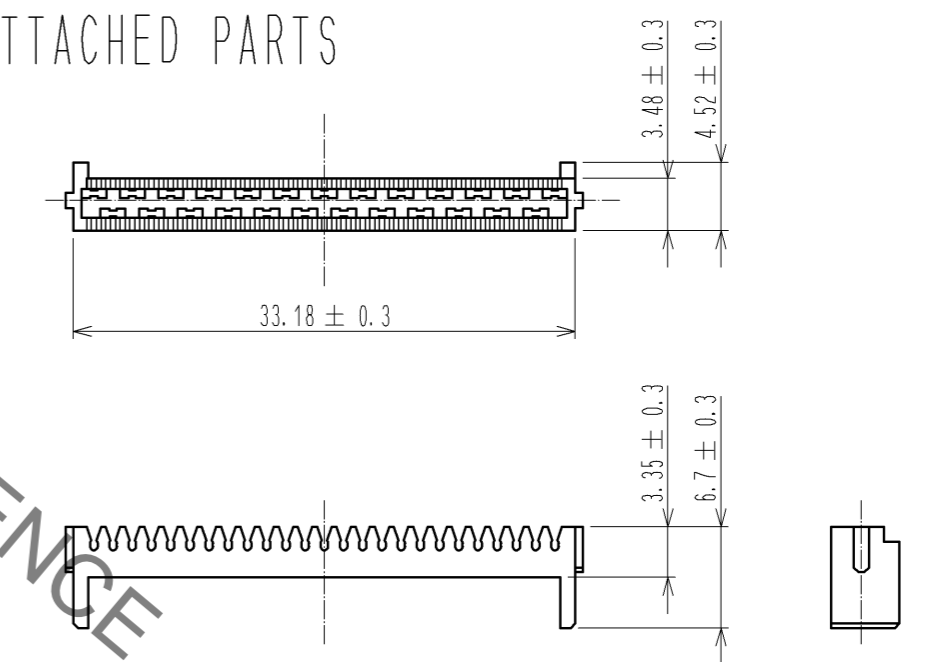
Jun.1.2019 Copyright 2019 HIROSE ELECTRIC CO., LTD. All Rights Reserved.  
 In case of consideration for using Automotive equipment / device which demand high reliability, kindly contact our sales window correspondents.



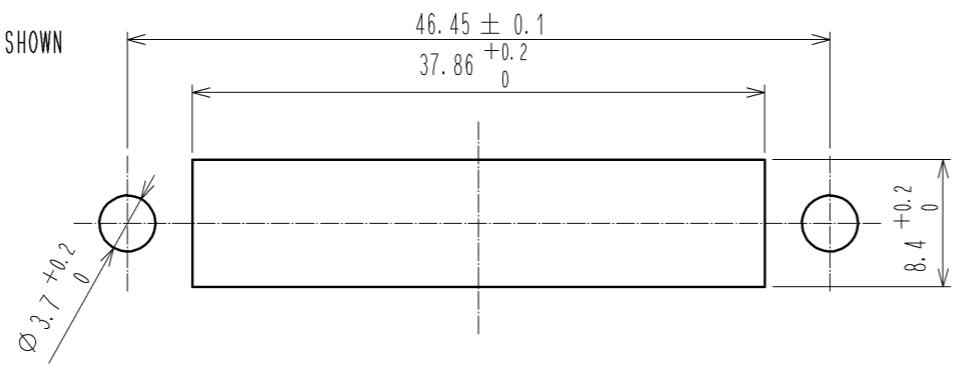
⑩ ATTACHED PARTS



⑪ ATTACHED PARTS



RECOMMENDED PANEL CUTOUT



NOTES ① PART No. ⑩ SHALL BE FINISHED AS TABLE SHOWN BELOW ACCORDING TO PANEL THICKNESS.  
 WASHER THICKNESS : 0.8

PANEL THICKNESS	No. OF WASHER
t=0.7 TO 1.0	2 EACH
t=1.5 TO 1.8	1 EACH

NO.	MATERIAL	FINISH . REMARKS	NO.	MATERIAL	FINISH . REMARKS
6	ZINC ALLOY DIE CASTING	OVER :NICKEL PLATING 2#m MIN UNDER:COPPER PLATING 10#m MIN	11	PBT	BLACK, UL94V-0
5	PBT	MILKY-WHITE, UL94V-0	10	PBT	BLACK, UL94V-0
1 TO 4	PHOSPHOR BRONZE	CONTACT: GOLD PLATING 0.2#m MIN LEAD : GOLD PLATING 0.03#m MIN UNDER :NICKEL PLATING 2#m MIN	9	STEEL	OVER :NICKEL PLATING 2#m MIN UNDER:COPPER PLATING 3#m MIN
			8	STEEL	OVER :NICKEL PLATING 2#m MIN UNDER:COPPER PLATING 1#m MIN
			7	STEEL	OVER :NICKEL PLATING 1#m MIN UNDER:COPPER PLATING 5#m MIN

UNITS	SCALE	COUNT	DESCRIPTION OF REVISIONS	DESIGNED	CHECKED	DATE
mm	2:1	△	APPROVED :NM. NISHIMATSU 14.07.25			
			CHECKED :NM. NISHIMATSU 14.07.25			
			DESIGNED :MT. ITANO 14.07.25			
			DRAWN :MT. ITANO 14.07.25			

DRAWING NO.	PART NO.	CODE NO.
EDC3-044929-02	DX30A-50S-LNA(55)	CL230-0189-7-55



## X-ON Electronics

Largest Supplier of Electrical and Electronic Components

*Click to view similar products for [I/O Connectors](#) category:*

*Click to view products by [Hirose](#) manufacturer:*

Other Similar products are found below :

[571763P](#) [58098-0628](#) [72.250.1628.2](#) [72.250.2428.2](#) [74720-0505](#) [76.350.0729.0](#) [76871-1403](#) [FCN-244F080-G/1](#) [FCN-260A9920](#) [PCR-E36PM](#) [PCS-XE26MA+](#) [G38A71314B](#) [1571250010](#) [157-22500-3](#) [MS3471L14-19P L/C](#) [192991-0703](#) [172501-4002](#) [172501-6002](#) [FCN-260C008-A/L0](#) [FCN-260C024-AL0](#) [FCN-261Z008](#) [2000314-1](#) [200331-1](#) [PCR-E36FC+](#) [PCS-E28FS+](#) [PCS-XE26SLFD+](#) [PCS-XE26SLFDT+](#) [G730VID08BDC24](#) [U90B2054081210](#) [UE86K842720321](#) [38113800006](#) [DP3AR020WQ1R200](#) [Z4.102.0680.0](#) [500-1040](#) [500-1052](#) [500-1054](#) [ZP-4008-66L](#) [0709821002](#) [DX40-20P\(55\)](#) [5554841-1](#) [MS3474W18-8P-LC\\*](#) [SM3106F14S-7S-LC](#) [U90B3054061110](#) [U65-E04-4020](#) [ZPF000000000097891](#) [557-262M2-06C](#) [747360449](#) [10099439-003C-TRLF](#) [10137239-0021LF](#) [E9320-001-01](#)