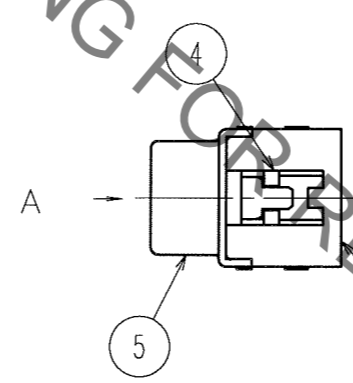
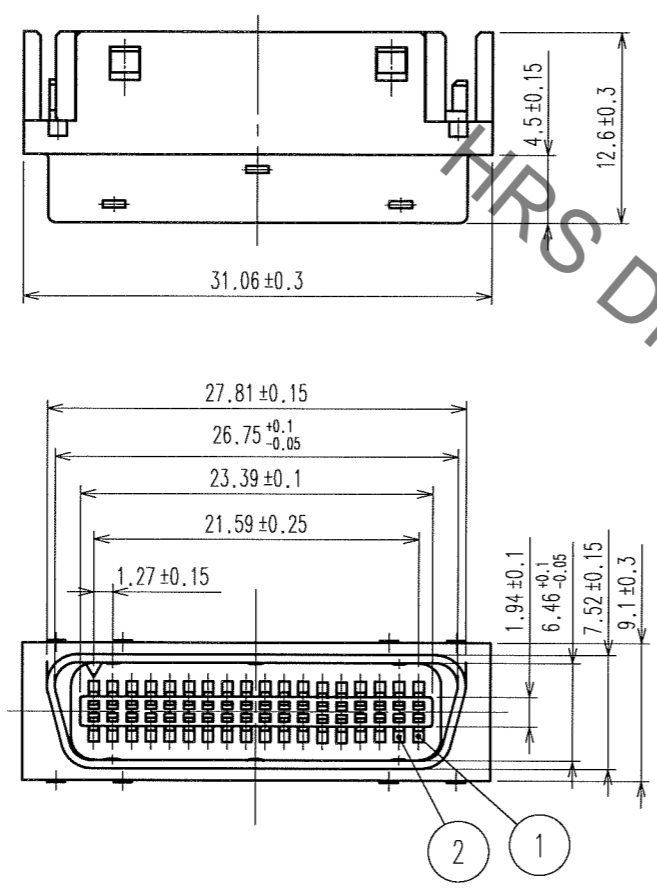
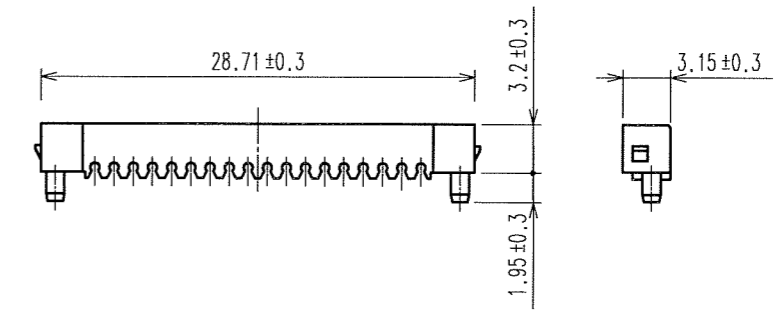


Sep.1.2021 Copyright 2021 HIROSE ELECTRIC CO., LTD. All Rights Reserved.
In case of consideration for using Automotive equipment / device which demand high reliability, kindly contact our sales window correspondents.

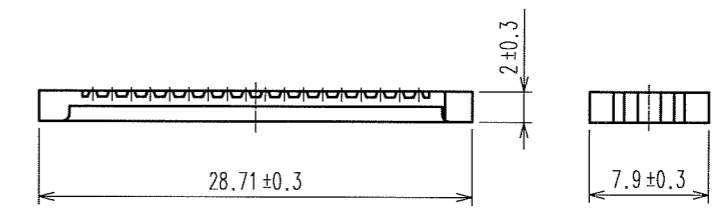
COUNT	DESCRIPTION OF REVISIONS	BY	CHKD	DATE	COUNT	DESCRIPTION OF REVISIONS	BY	CHKD	DATE
2	DIS-E-000197	Y.S	Y.E	05.08.29					



7 APPENDED PRODUCT



6 APPENDED PRODUCT



NOTE 1 FIXING FORCE OF REF. NO ⑤ TO BE 100N MIN TO DIRECTION A.

4	PBT	(GLASS CONTAINED) UL94V-0			
3	PBT	(GLASS CONTAINED) UL94V-0	7	PBT	(GLASS CONTAINED) UL94V-0
2	BERYLLIUM COPPER ALLOY	CONTACT SECTION GOLD PLATED IDC SECTION GOLD FLASH PLATING	①	6	PBT (GLASS CONTAINED) UL94V-0
1	BERYLLIUM COPPER ALLOY	CONTACT SECTION GOLD PLATED IDC SECTION GOLD FLASH PLATING	①	5	STEEL NICKEL PLATED
NO.	MATERIAL	FINISH, REMARKS	NO.	MATERIAL	FINISH, REMARKS

CODE NO. (OLD)		DRAWN	DESIGNED	CHECKED	APPROVED	RELEASED
		Y.SATO	T.TANIGUCHI	H.MIWA	H.MIWA	
		04.12.10	04.12.10	04.12.10	04.12.10	

SCALE 2 : 1 UNITS mm	DRAWING NO. EDC3-042474 HRS HIROSE ELECTRIC CO., LTD.	PART NO. DX30AM-36P CODE NO. CL230-5027-2	<table border="1"> <tr> <td>1</td> <td>1</td> </tr> </table>	1	1
1	1				

TO
Q1

USA

X-ON Electronics

Largest Supplier of Electrical and Electronic Components

Click to view similar products for [I/O Connectors](#) category:

Click to view products by [Hirose](#) manufacturer:

Other Similar products are found below :

[571763P](#) [58098-0628](#) [72.250.1628.2](#) [72.250.2428.2](#) [74720-0505](#) [76.350.0729.0](#) [76871-1403](#) [FCN-244F080-G/1](#) [FCN-260A9920](#) [PCR-E36PM](#) [PCS-XE26MA+](#) [G38A71314B](#) [1571250010](#) [157-22500-3](#) [MS3471L14-19P L/C](#) [192991-0703](#) [172501-4002](#) [172501-6002](#) [FCN-260C008-A/L0](#) [FCN-260C024-AL0](#) [FCN-261Z008](#) [2000314-1](#) [200331-1](#) [PCR-E36FC+](#) [PCS-E28FS+](#) [PCS-XE26SLFD+](#) [PCS-XE26SLFDT+](#) [G730VID08BDC24](#) [U90B2054081210](#) [UE86K842720321](#) [38113800006](#) [DP3AR020WQ1R200](#) [Z4.102.0680.0](#) [500-1040](#) [500-1052](#) [500-1054](#) [ZP-4008-66L](#) [0709821002](#) [DX40-20P\(55\)](#) [5554841-1](#) [MS3474W18-8P-LC*](#) [SM3106F14S-7S-LC](#) [U90B3054061110](#) [U65-E04-4020](#) [ZPF000000000097891](#) [557-262M2-06C](#) [747360449](#) [10099439-003C-TRLF](#) [10137239-0021LF](#) [E9320-001-01](#)