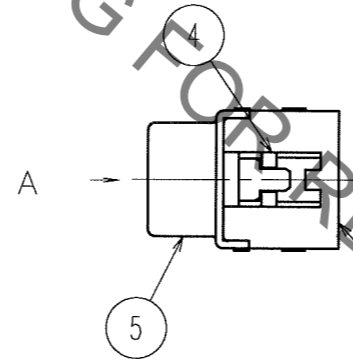
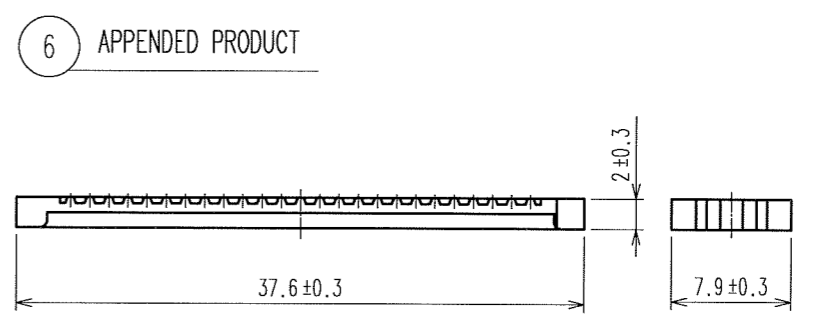
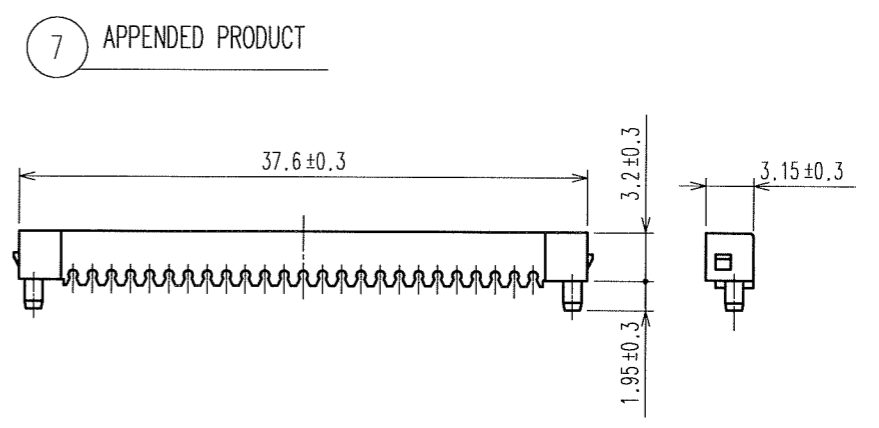
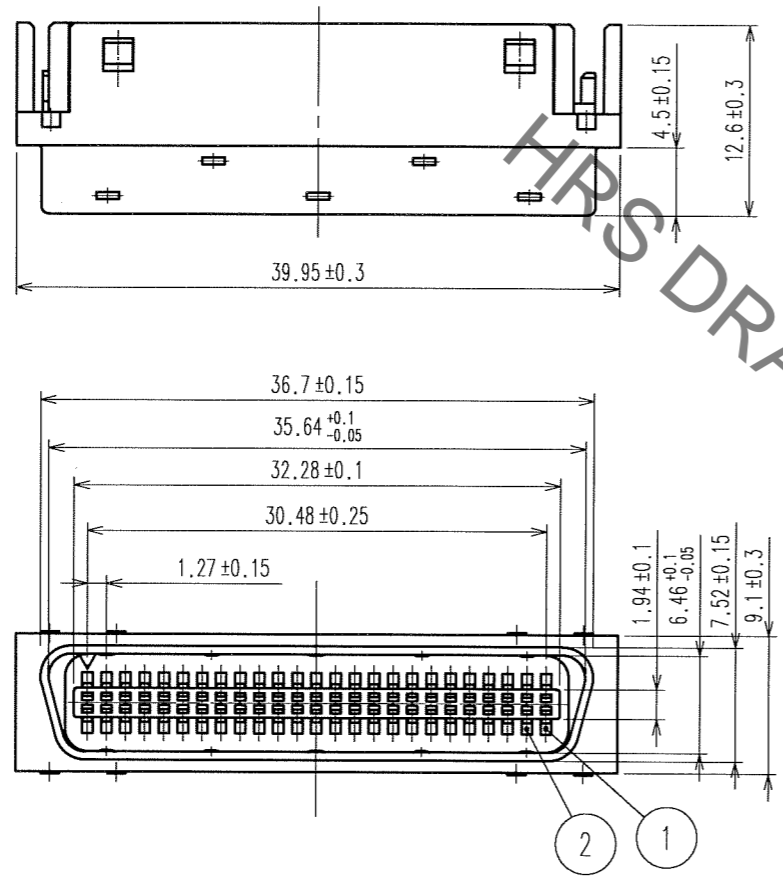


Sep.1.2021 Copyright 2021 HIROSE ELECTRIC CO., LTD. All Rights Reserved.
In case of consideration for using Automotive equipment / device which demand high reliability, kindly contact our sales window correspondents.

COUNT	DESCRIPTION OF REVISIONS	BY	CHKD	DATE	COUNT	DESCRIPTION OF REVISIONS	BY	CHKD	DATE
2	DIS-E-000197	Y.S.Y.E		05.08.29					



NOTE 1. FIXING FORCE OF REF.NO ③ TO BE 100N MIN TO DIRECTION A.

4	PBT	(GLASS CONTAINED) UL94V-0		
3	PBT	(GLASS CONTAINED) UL94V-0	7	PBT (GLASS CONTAINED) UL94V-0
2	BERYLLIUM COPPER ALLOY	CONTACT SECTION GOLD PLATED IDC SECTION GOLD FLASH PLATING	6	PBT (GLASS CONTAINED) UL94V-0
1	BERYLLIUM COPPER ALLOY	CONTACT SECTION GOLD PLATED IDC SECTION GOLD FLASH PLATING	5	STEEL NICKEL PLATED
NO.	MATERIAL	FINISH, REMARKS	NO.	MATERIAL FINISH, REMARKS

CODE NO. (OLD)	DRAWN	DESIGNED	CHECKED	APPROVED	RELEASED
	T.MIURA	K. ICHIKAWA	H. TANAKA	H. TANAKA	
	99.03.05	99.03.08	99.03.08	99.03.08	

	DRAWING NO. EDC3-042475	PART NO. DX30AM-50P
SCALE 2 : 1 UNITS mm	HIROSE ELECTRIC CO., LTD	CODE NO. CL230-5028-5

TO
Q1
USA

X-ON Electronics

Largest Supplier of Electrical and Electronic Components

Click to view similar products for [I/O Connectors](#) category:

Click to view products by [Hirose](#) manufacturer:

Other Similar products are found below :

[571763P](#) [58098-0628](#) [72.250.1628.2](#) [72.250.2428.2](#) [74720-0505](#) [76.350.0729.0](#) [76871-1403](#) [FCN-244F080-G/1](#) [FCN-260A9920](#) [PCR-E36PM](#) [PCS-XE26MA+](#) [G38A71314B](#) [1571250010](#) [157-22500-3](#) [MS3471L14-19P L/C](#) [192991-0703](#) [172501-4002](#) [172501-6002](#) [FCN-260C008-A/L0](#) [FCN-260C024-AL0](#) [FCN-261Z008](#) [2000314-1](#) [200331-1](#) [PCR-E36FC+](#) [PCS-E28FS+](#) [PCS-XE26SLFD+](#) [PCS-XE26SLFDT+](#) [G730VID08BDC24](#) [U90B2054081210](#) [38113800006](#) [DP3AR020WQ1R200](#) [Z4.102.0680.0](#) [500-1040](#) [500-1052](#) [500-1054](#) [ZP-4008-66L](#) [0709821002](#) [DX40-20P\(55\)](#) [5554841-1](#) [MS3474W18-8P-LC*](#) [U90B3054061110](#) [U65-E04-4020](#) [ZPF000000000097891](#) [747360449](#) [10099439-003C-TRLF](#) [10137239-0021LF](#) [E9320-001-01](#) [10137239-0011LF](#) [70289-001LF](#) [70.060.1028.0](#)