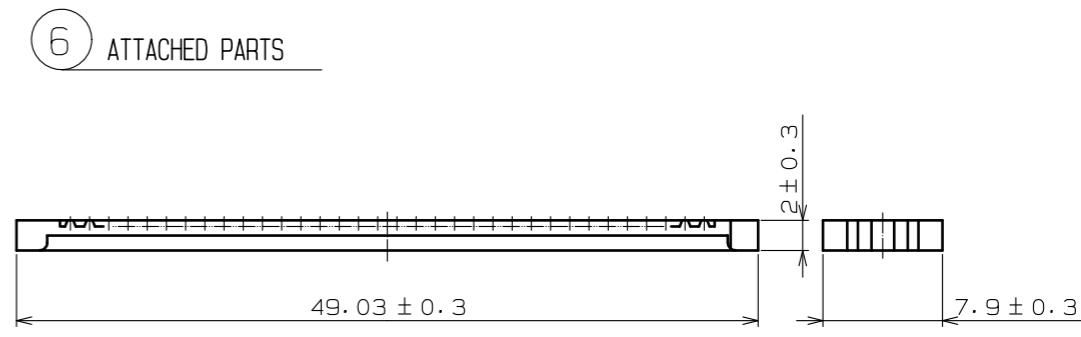
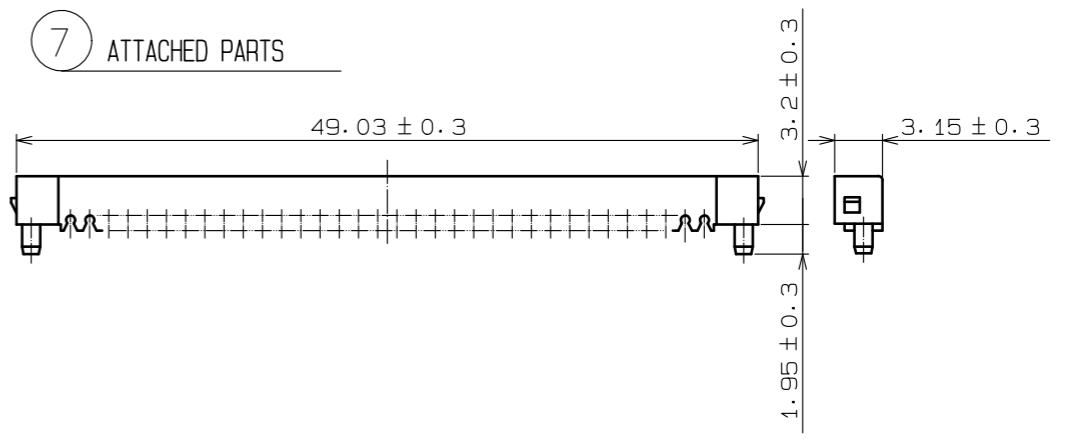
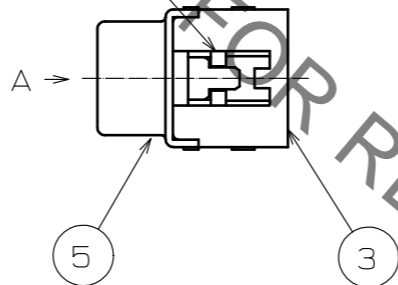
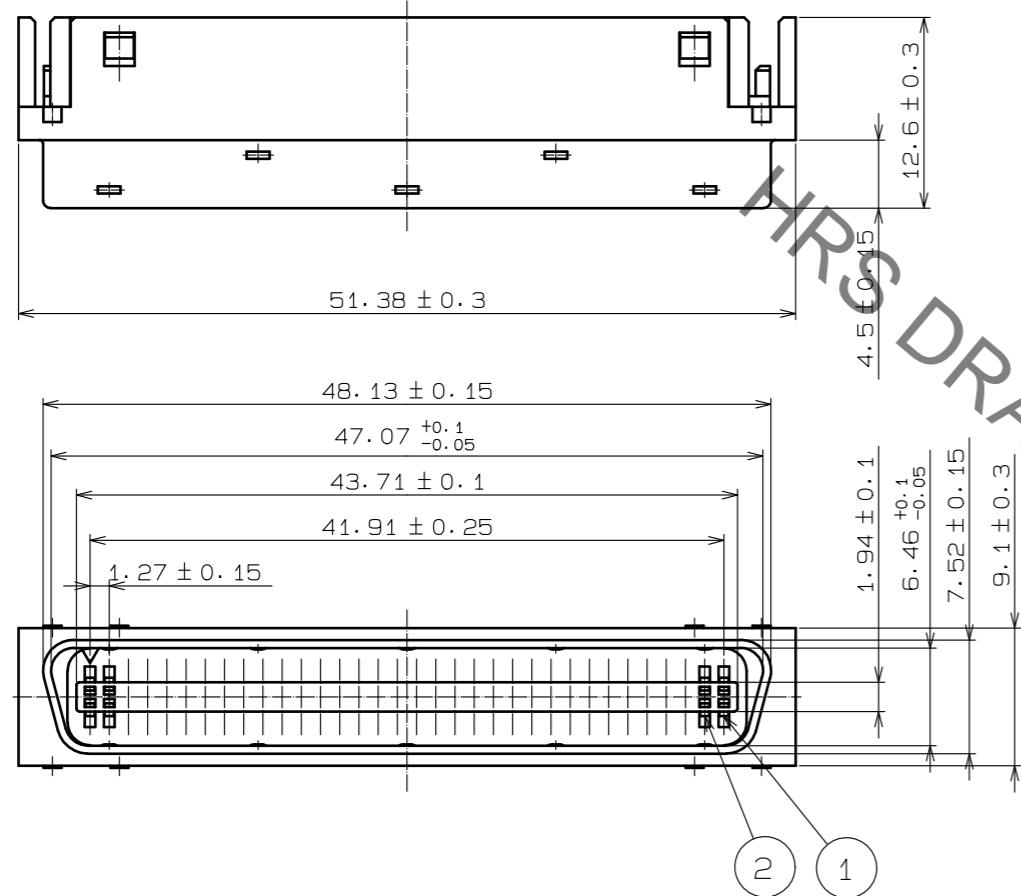


Sep.1.2021 Copyright 2021 HIROSE ELECTRIC CO., LTD. All Rights Reserved.  
In case of consideration for using Automotive equipment / device which demand high reliability, kindly contact our sales window correspondents.



NOTE 1 FIXING FORCE OF REF.NO ③ TO BE 100N MIN TO DIRECTION A.

4	PBT	UL94V-0 (BLACK)			
3	PBT	UL94V-0 (BLACK)	7	PPS $\Delta$	UL94V-0 (BLACK)
2	BERYLIUM COPPER	CONTACT AREA: GOLD PLATING IDC AREA: GOLD FLASH PLATING	6	PBT	UL94V-0 (BLACK)
1	BERYLIUM COPPER	CONTACT AREA: GOLD PLATING IDC AREA: GOLD FLASH PLATING	5	STEEL	NICKEL PLATING
NO.	MATERIAL	FINISH . REMARKS	NO.	MATERIAL	FINISH . REMARKS
UNITS mm	$\odot$ $\triangleleft$	SCALE 2 : 1	COUNT $\Delta$ 1	DESCRIPTION OF REVISIONS DIS-E-00001926	
		DESIGNED YS. SAKODA	CHECKED TU. TANIGUCHI	DATE 20181115	
<b>HRS</b> HIROSE ELECTRIC CO., LTD.		APPROVED : HO. MIWA 20050105	DRAWING NO. EDC-040387-00-00		
		CHECKED : YH. ENAMI 20050105	PART NO. DX30AM-68P		
		DESIGNED : TU. TANIGUCHI 20050105	CODE NO. CL230-5029-8-00		
		DRAWN : TU. TANIGUCHI 20050105	$\Delta$ 1/1		

## X-ON Electronics

Largest Supplier of Electrical and Electronic Components

*Click to view similar products for [I/O Connectors](#) category:*

*Click to view products by [Hirose](#) manufacturer:*

Other Similar products are found below :

[571763P](#) [58098-0628](#) [72.250.1628.2](#) [72.250.2428.2](#) [74720-0505](#) [76.350.0729.0](#) [76871-1403](#) [FCN-244F080-G/1](#) [FCN-260A9920](#) [PCR-E36PM](#) [PCS-XE26MA+](#) [G38A71314B](#) [1571250010](#) [157-22500-3](#) [MS3471L14-19P L/C](#) [192991-0703](#) [172501-4002](#) [172501-6002](#) [FCN-260C008-A/L0](#) [FCN-260C024-AL0](#) [FCN-261Z008](#) [2000314-1](#) [200331-1](#) [PCR-E36FC+](#) [PCS-E28FS+](#) [PCS-XE26SLFD+](#) [PCS-XE26SLFDT+](#) [G730VID08BDC24](#) [U90B2054081210](#) [UE86K842720321](#) [38113800006](#) [DP3AR020WQ1R200](#) [Z4.102.0680.0](#) [500-1040](#) [500-1052](#) [500-1054](#) [ZP-4008-66L](#) [0709821002](#) [DX40-20P\(55\)](#) [5554841-1](#) [MS3474W18-8P-LC\\*](#) [SM3106F14S-7S-LC](#) [U90B3054061110](#) [U65-E04-4020](#) [ZPF000000000097891](#) [557-262M2-06C](#) [747360449](#) [10099439-003C-TRLF](#) [10137239-0021LF](#) [E9320-001-01](#)