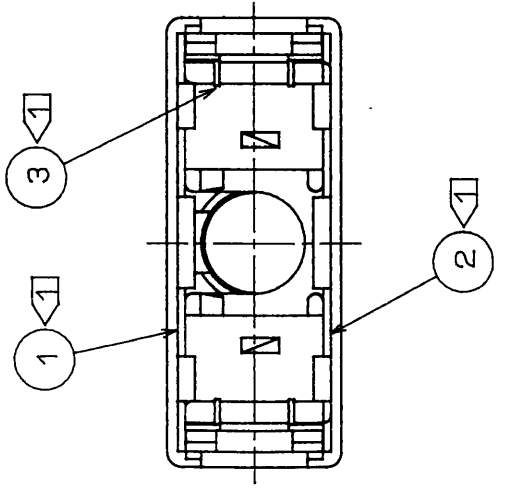
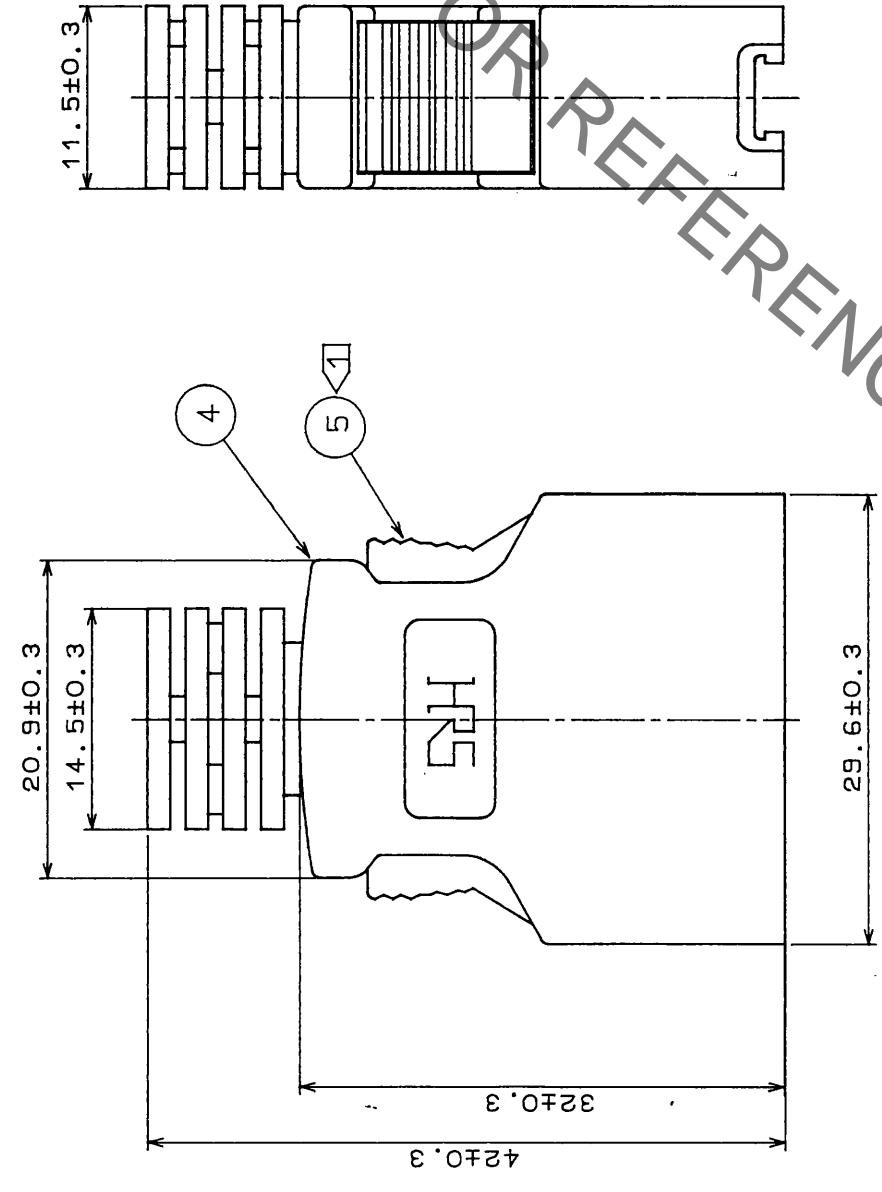
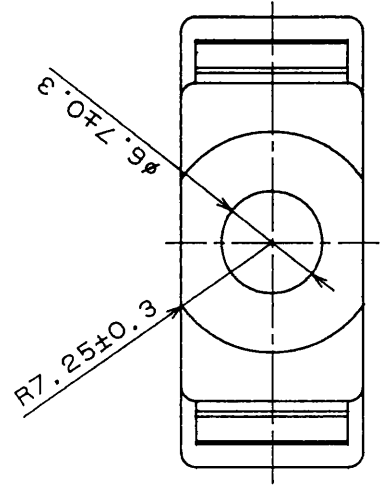


In case of consideration for using Automotive equipment / device which demand high reliability, kindly contact our sales window correspondents.

NO.	REVISIONS	BY	CHKD	DATE	NO.	REVISIONS	BY	CHKD	DATE
△					△				
△					△				
△					△				



HRS DRAWING FOR REFERENCE

Note Part No. ①②③ and ⑤ shall be attached.

No.	MATERIAL	FINISH, REMARKS	No.	MATERIAL	FINISH, REMARKS
3	Stainless steel		5	Polycarbonate (Color:Light beige)	UL94V-2
2	Stainless steel		4	Polycarbonate (Color:Light beige)	UL94V-2
1	Stainless steel				

APPROVED	REVIEWED	CHECKED	DESIGNED	DRAWN
A. Nakagawa	S. Kikita	M. Nakamura	N. NISHIMATU	
10.4.90	10.4.90	10.4.90	10.4.90	

GENERAL DIMENSION TOLERANCE	UNITS	SCALE
6 or 18 ±0.3	mm	2:1
6 to 18 ±0.5		
18 to 50 ±0.7		
50 to 125 ±1		
125 to 250 ±1.3		
ANGULAR		

ISSUED BY	PART NO.	SCALE
HRS HIROSE ELECTRIC CO., LTD.	D X 30 M - 20 - C V	2:1
	COPE NO. CIL 230H50520H	

X-ON Electronics

Largest Supplier of Electrical and Electronic Components

Click to view similar products for [I/O Connectors](#) category:

Click to view products by [Hirose](#) manufacturer:

Other Similar products are found below :

[571763P](#) [58098-0628](#) [72.250.1628.2](#) [72.250.2428.2](#) [74720-0505](#) [76.350.0729.0](#) [76871-1403](#) [FCN-244F080-G/1](#) [FCN-260A9920](#) [PCR-E36PM](#) [PCS-XE26MA+](#) [G38A71314B](#) [1571250010](#) [157-22500-3](#) [MS3471L14-19P L/C](#) [192991-0703](#) [172501-4002](#) [172501-6002](#) [FCN-260C008-A/L0](#) [FCN-260C024-AL0](#) [FCN-261Z008](#) [2000314-1](#) [200331-1](#) [PCR-E36FC+](#) [PCS-E28FS+](#) [PCS-XE26SLFD+](#) [PCS-XE26SLFDT+](#) [G730VID08BDC24](#) [U90B2054081210](#) [UE86K842720321](#) [38113800006](#) [DP3AR020WQ1R200](#) [Z4.102.0680.0](#) [500-1040](#) [500-1052](#) [500-1054](#) [ZP-4008-66L](#) [0709821002](#) [DX40-20P\(55\)](#) [5554841-1](#) [MS3474W18-8P-LC*](#) [SM3106F14S-7S-LC](#) [U90B3054061110](#) [U65-E04-4020](#) [ZPF000000000097891](#) [557-262M2-06C](#) [747360449](#) [10099439-003C-TRLF](#) [10137239-0021LF](#) [E9320-001-01](#)