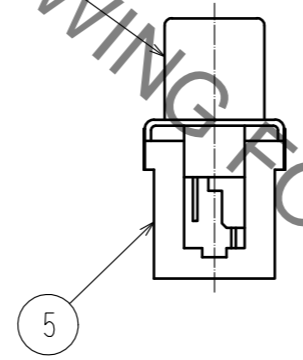
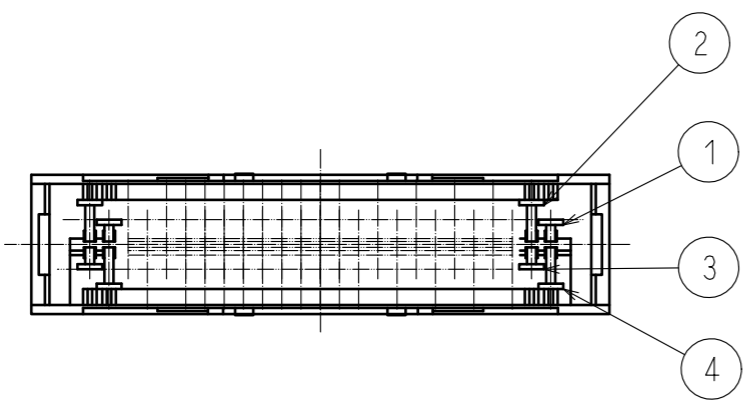
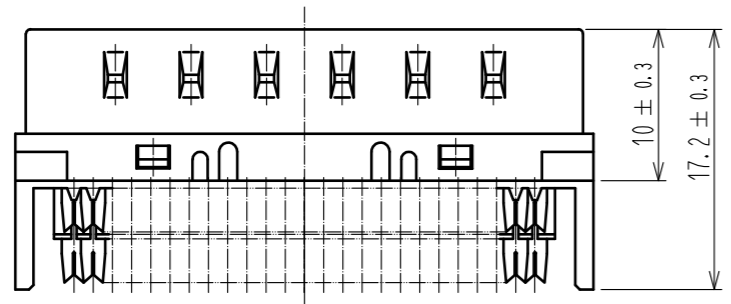
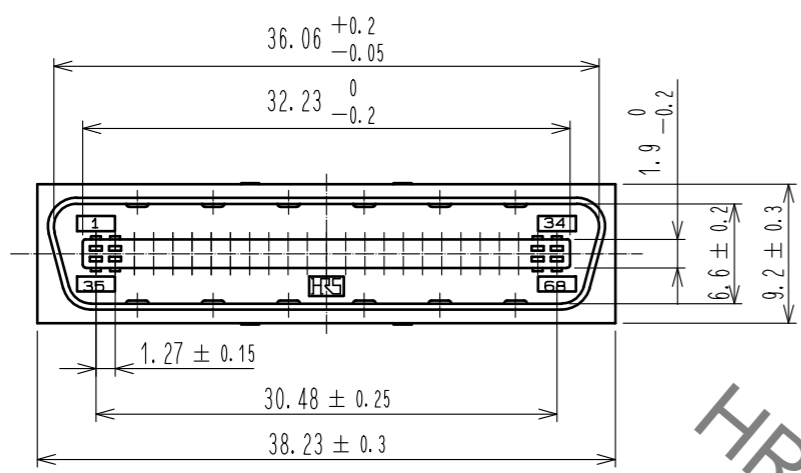
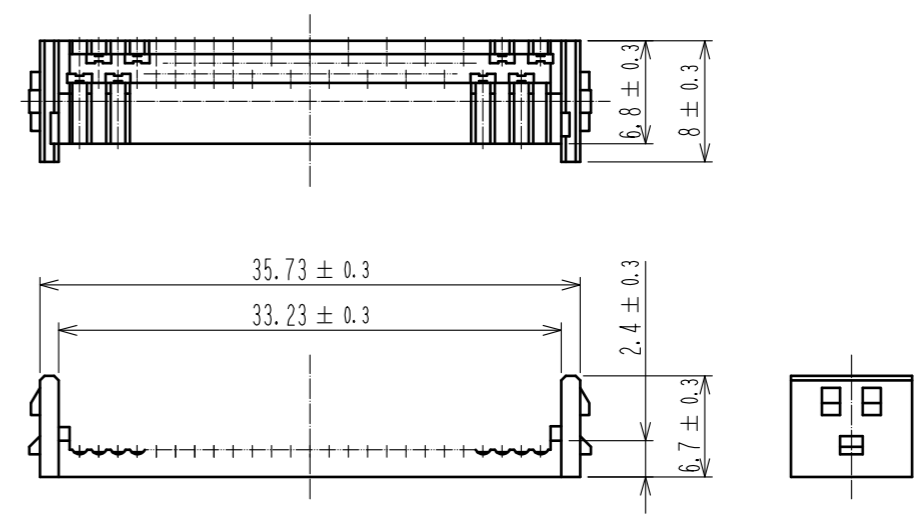


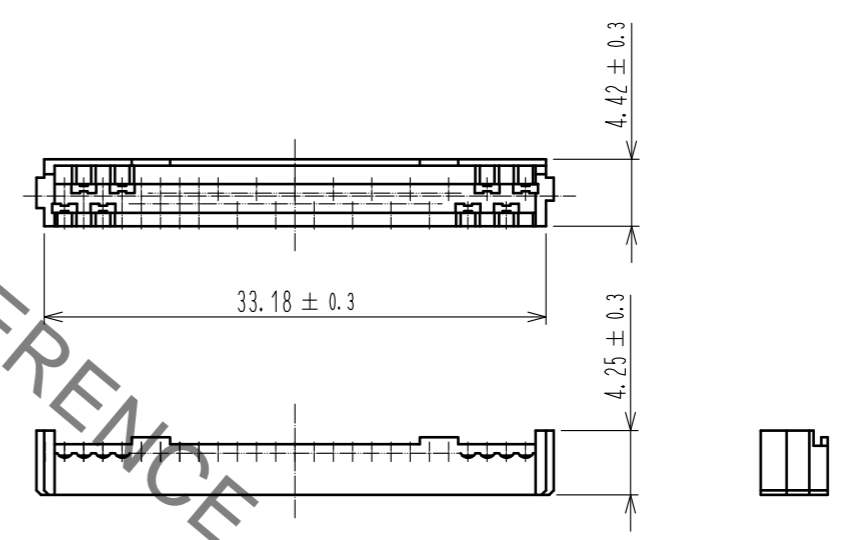
Jun.1.2019 Copyright 2019 HIROSE ELECTRIC CO., LTD. All Rights Reserved.
 In case of consideration for using Automotive equipment / device which demand high reliability, kindly contact our sales window correspondents.



7 Attached parts



8 Attached parts



3	Phosphor bronze	Contact area : Gold plating 0.2μm IDC area : Gold plating 0.03μm Under : Nickel plating 2μm	8	PBT	Black . UL94V-0
			7	PBT	Black . UL94V-0
2	Phosphor bronze	Contact area : Gold plating 0.2μm IDC area : Gold plating 0.03μm Under : Nickel plating 2μm	6	Steel	Over : Nickel plating 1μm Under : Copper plating 5μm
			5	PBT	Gray . UL94V-0
1	Phosphor bronze	Contact area : Gold plating 0.2μm IDC area : Gold plating 0.03μm Under : Nickel plating 2μm	4	Phosphor bronze	Contact area : Gold plating 0.2μm IDC area : Gold plating 0.03μm Under : Nickel plating 2μm
NO.	MATERIAL	FINISH . REMARKS	NO.	MATERIAL	FINISH . REMARKS

UNITS mm		SCALE 2 : 1	COUNT 	DESCRIPTION OF REVISIONS	DESIGNED	CHECKED	DATE
HRS HIROSE ELECTRIC CO., LTD.		APPROVED : AH. KODAMA	18.06.11	DRAWING NO.	EDC-044550-50-01		
		CHECKED : AH. KODAMA	18.06.11	PART NO.	DX33A-50P(50)		
		DESIGNED : MO. SHIMOYAMA	18.06.11	CODE NO.	CL230-0280-7-50		
		DRAWN : SJ. SATO	18.06.11		1/1		

HRS DRAWING FOR REFERENCE

X-ON Electronics

Largest Supplier of Electrical and Electronic Components

Click to view similar products for [I/O Connectors](#) category:

Click to view products by [Hirose](#) manufacturer:

Other Similar products are found below :

[571763P](#) [58098-0628](#) [72.250.1628.2](#) [72.250.2428.2](#) [74720-0505](#) [76.350.0729.0](#) [76871-1403](#) [FCN-244F080-G/1](#) [FCN-260A9920](#) [PCR-E36PM](#) [PCS-XE26MA+](#) [G38A71314B](#) [1571250010](#) [157-22500-3](#) [MS3471L14-19P L/C](#) [192991-0703](#) [172501-4002](#) [172501-6002](#) [FCN-260C008-A/L0](#) [FCN-260C024-AL0](#) [FCN-261Z008](#) [2000314-1](#) [200331-1](#) [PCR-E36FC+](#) [PCS-E28FS+](#) [PCS-XE26SLFD+](#) [PCS-XE26SLFDT+](#) [G730VID08BDC24](#) [U90B2054081210](#) [38113800006](#) [DP3AR020WQ1R200](#) [Z4.102.0680.0](#) [500-1040](#) [500-1052](#) [500-1054](#) [ZP-4008-66L](#) [0709821002](#) [DX40-20P\(55\)](#) [5554841-1](#) [MS3474W18-8P-LC*](#) [U90B3054061110](#) [U65-E04-4020](#) [ZPF000000000097891](#) [747360449](#) [10099439-003C-TRLF](#) [10137239-0021LF](#) [E9320-001-01](#) [10137239-0011LF](#) [70289-001LF](#) [70.060.1028.0](#)