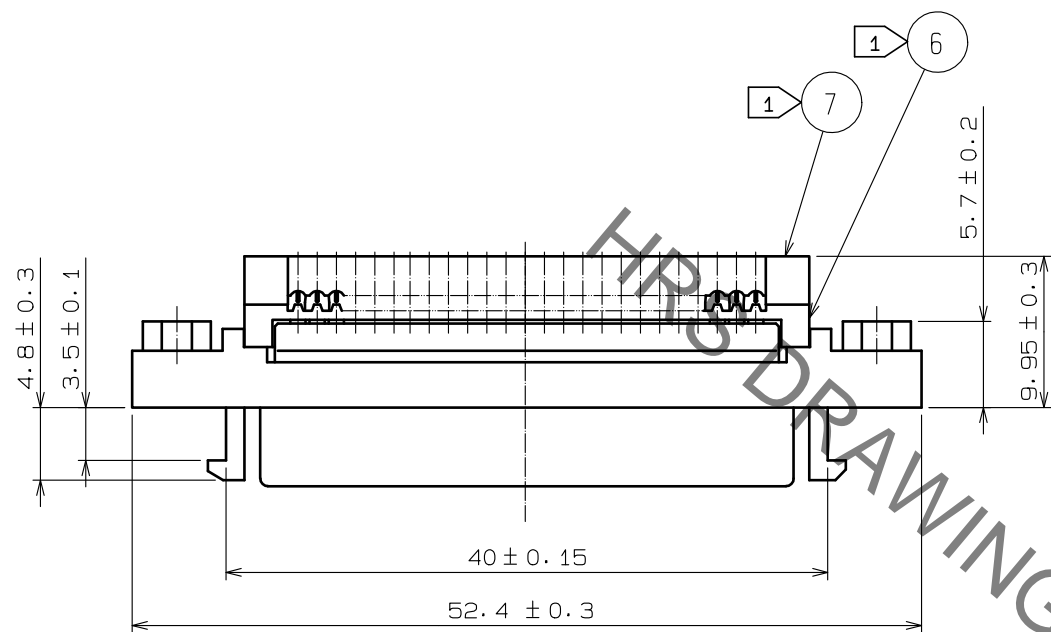
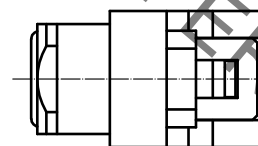
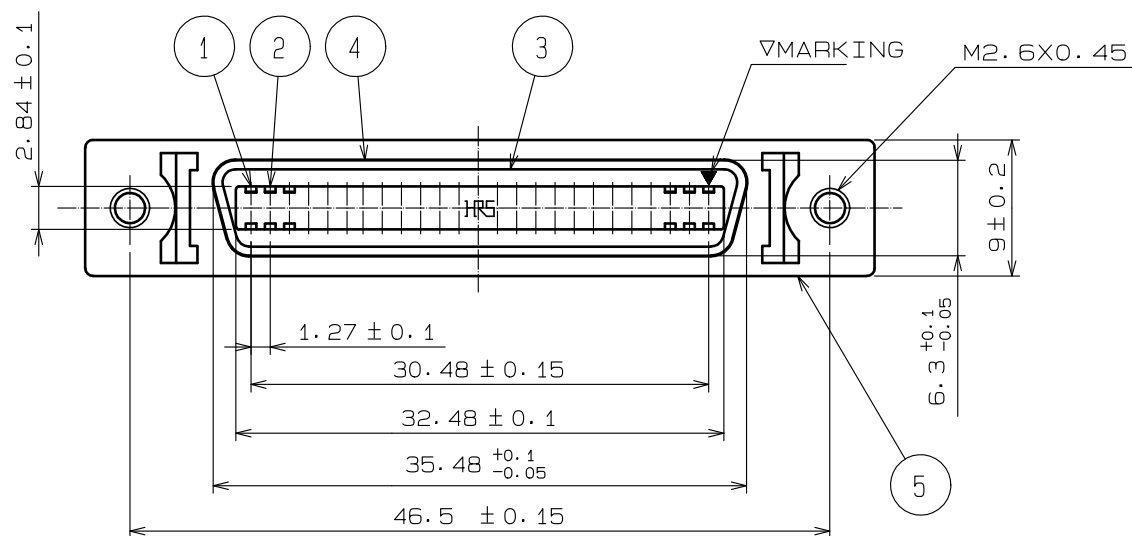
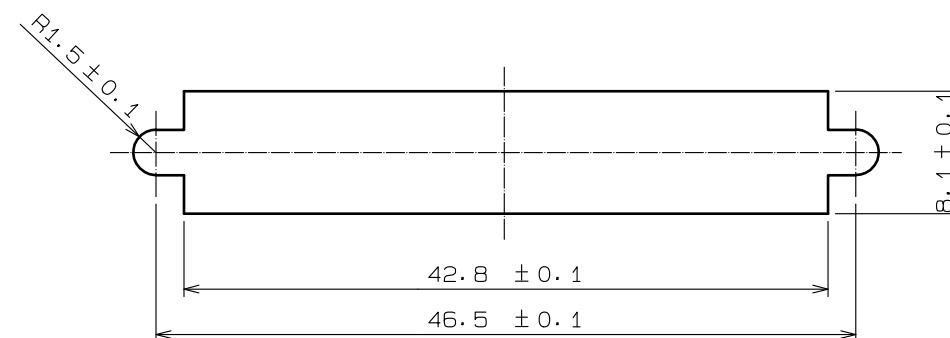


Jun.1.2019 Copyright 2019 HIROSE ELECTRIC CO., LTD. All Rights Reserved.
 In case of consideration for using Automotive equipment / device which demand high reliability, kindly contact our sales window correspondents.



PANEL CUTOUT
 (t=1.6mm MAX)



NOTE. ① COMPONENTS OF REF. NO. ⑥ AND ⑦ ARE APPENDED PRODUCTS.

2	BERYLLIUM COPPER	CONTACT: Au 0.3μm min LEAD: Au 0.03μm min UNDER: Ni 2μm min	7	PBT	(BLACK)UL94V-0
1	BERYLLIUM COPPER	CONTACT: Au 0.3μm min LEAD: Au 0.03μm min UNDER: Ni 2μm min	6	PBT	(BLACK)UL94V-0
			5	ZINC ALLOY DIE CASTING	OVER: Ni 2μm min UNDER: Cu 10μm min
			4	STEEL	OVER: Ni 1μm min UNDER: Cu 5μm min
			3	PBT	(BLACK)UL94V-0
NO.	MATERIAL	FINISH . REMARKS	NO.	MATERIAL	FINISH . REMARKS

UNITS mm		SCALE 2 : 1	COUNT 	DESCRIPTION OF REVISIONS	DESIGNED	CHECKED	DATE
HIROSE ELECTRIC CO., LTD.				APPROVED : RI. TAKAYASU 15.08.20	DRAWING NO. EDC-043125-50-00		
				CHECKED : AH. KODAMA 15.08.20	PART NO. DX33AM-50S(50)		
				DESIGNED : KI. KAGOTANI 15.08.20	CODE NO. CL230-5092-4-50		
				DRAWN : KI. KAGOTANI 15.08.20	1/1		

X-ON Electronics

Largest Supplier of Electrical and Electronic Components

Click to view similar products for [I/O Connectors](#) category:

Click to view products by [Hirose](#) manufacturer:

Other Similar products are found below :

[571763P](#) [58098-0628](#) [72.250.1628.2](#) [72.250.2428.2](#) [74720-0505](#) [76.350.0729.0](#) [76871-1403](#) [FCN-244F080-G/1](#) [FCN-260A9920](#) [MP-5T180MUNNA-005](#) [PCR-E36PM](#) [PCS-XE26MA+](#) [G38A71314B](#) [1571250010](#) [157-22500-3](#) [MS3471L14-19P L/C](#) [192991-0703](#) [172501-4002](#) [172501-6002](#) [FCN-260C008-A/L0](#) [FCN-260C024-AL0](#) [FCN-261Z008](#) [2000314-1](#) [200331-1](#) [PCR-E36FC+](#) [PCS-E28FS+](#) [PCS-XE26SLFD+](#) [PCS-XE26SLFDT+](#) [G730VID08BDC24](#) [U90B2054081210](#) [UE86K842720321](#) [38113800006](#) [DP3AR020WQ1R200](#) [Z4.102.0680.0](#) [500-1040](#) [500-1052](#) [500-1054](#) [ZP-4008-66L](#) [0709821002](#) [DX40-20P\(55\)](#) [5554841-1](#) [MS3474W18-8P-LC*](#) [SM3106F14S-7S-LC](#) [U90B3054061110](#) [U65-E04-4020](#) [ZPF000000000097891](#) [557-262M2-06C](#) [747360449](#) [10099439-003C-TRLF](#) [10137239-0021LF](#)