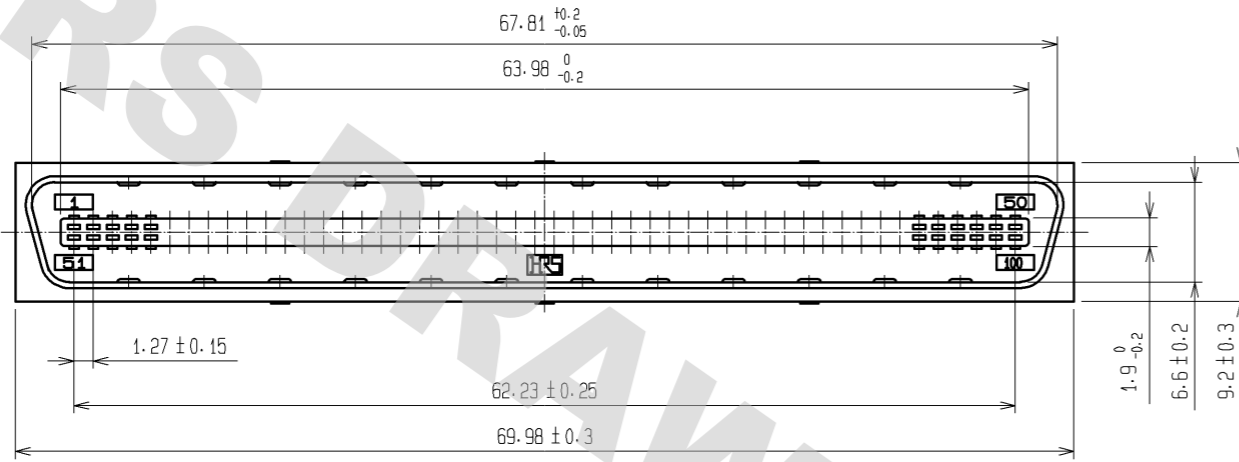
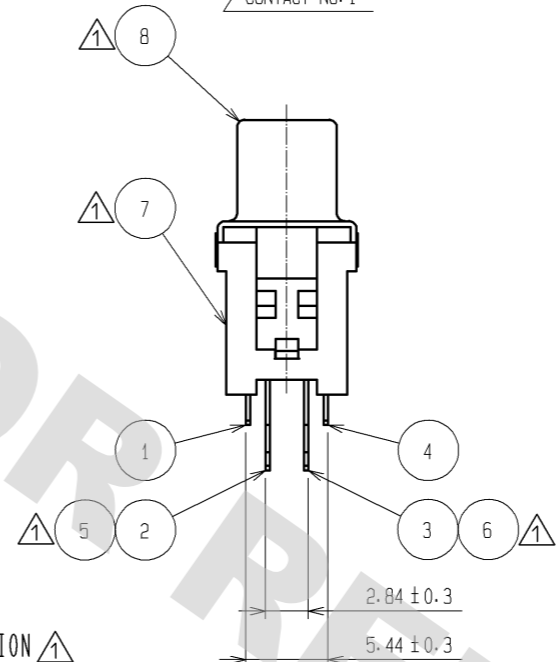
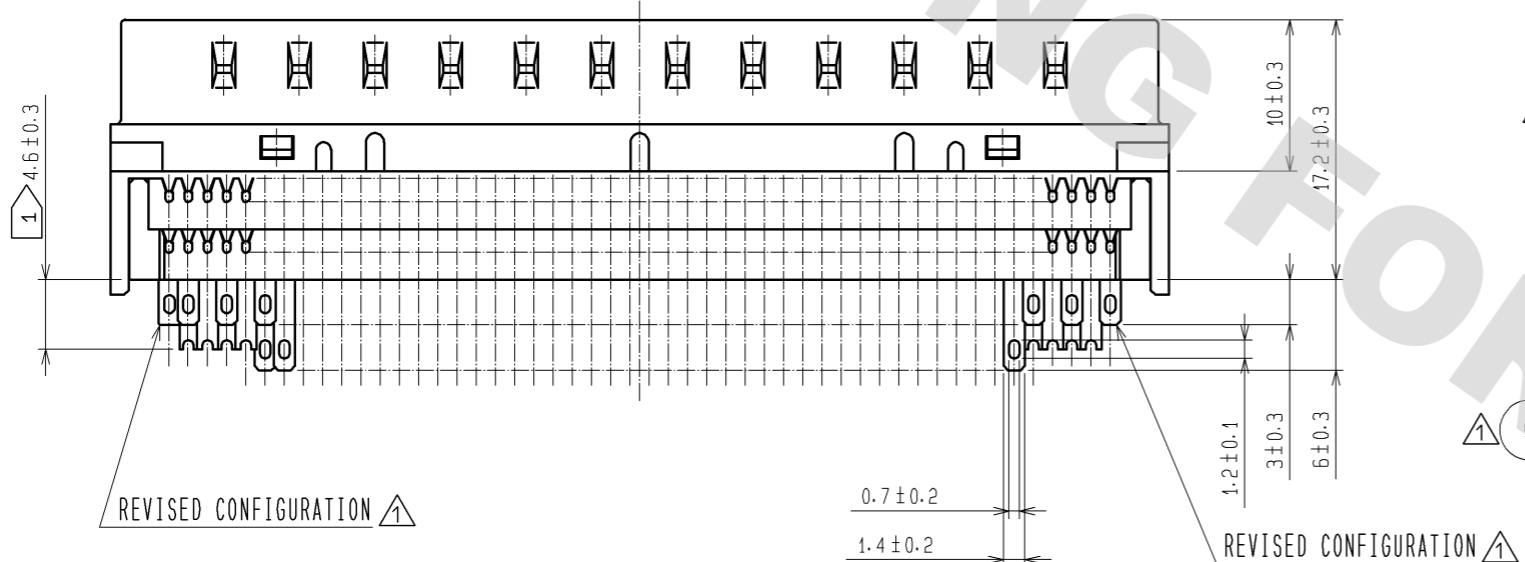
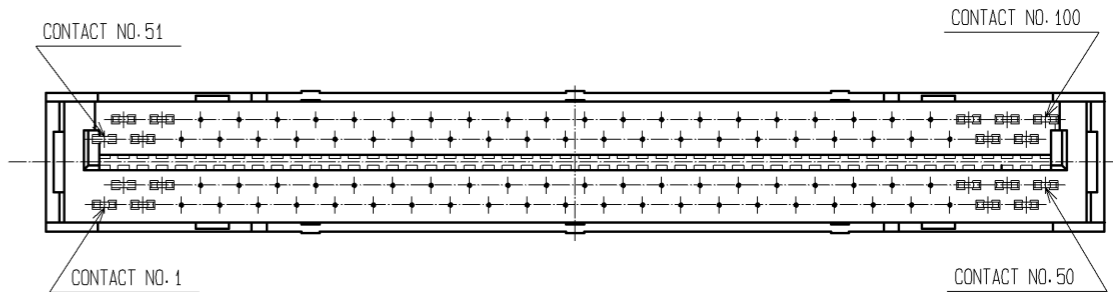


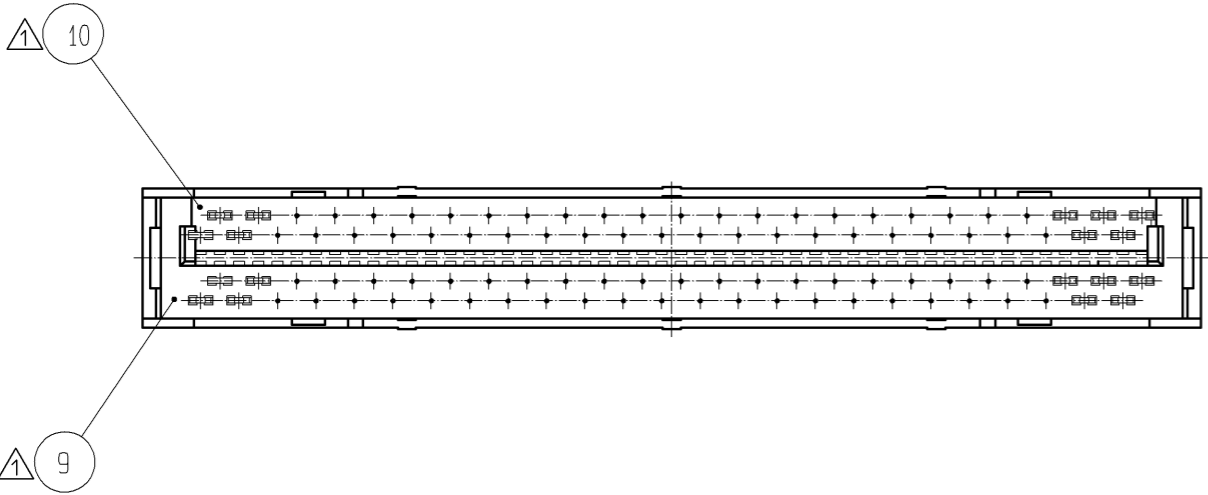
DRAWING FOR REFERENCE: This is subject to change without notice
08/11/2012



CONTACT NO. ON THE SIDE OF CABLE ASSEMBLY IS AS SHOWN BELOW.



NOTE 1 THE LENGTH OF CONTACT NO. 2, 4, 46, 48, 53, 55, 97, AND 99 IS 4.6 ± 0.3.



5	PHOSPHOR BRONZE	CONTACT AREA: GOLD PLATING 0.2μm TERMINAL AREA: GOLD FLASH PLATING	10	PBT	UL94V-0 (BLACK)
4	PHOSPHOR BRONZE	CONTACT AREA: GOLD PLATING 0.2μm TERMINAL AREA: GOLD FLASH PLATING	9	PBT	UL94V-0 (BLACK)
3	PHOSPHOR BRONZE	CONTACT AREA: GOLD PLATING 0.2μm TERMINAL AREA: GOLD FLASH PLATING	8	STEL	NICKEL PLATING 1~3μm
2	PHOSPHOR BRONZE	CONTACT AREA: GOLD PLATING 0.2μm TERMINAL AREA: GOLD FLASH PLATING	7	PBT	UL94V-0 (MILKY-WHITE)
1	PHOSPHOR BRONZE	CONTACT AREA: GOLD PLATING 0.2μm TERMINAL AREA: GOLD FLASH PLATING	6	PHOSPHOR BRONZE	CONTACT AREA: GOLD PLATING 0.2μm TERMINAL AREA: GOLD FLASH PLATING
NO.	MATERIAL	FINISH, REMARKS	NO.	MATERIAL	FINISH, REMARKS

UNITS mm		SCALE 2 : 1	COUNT 15	DESCRIPTION OF REVISIONS DIS-E-002163	DESIGNED YK. SATO	CHECKED HO. MIWA	DATE 08.02.22
HRS HIROSE ELECTRIC CO., LTD.		APPROVED : HO. MIWA	05.09.01	DRAWING NO.	EDC3-040143-01		
		CHECED : YH. ENAMI	05.08.29	PART NO.	DX40-100P(55)		
		DESIGNED : TU. TANIGUCHI	05.08.29	CODE NO.	CL230-0113-5-55		
		DRAWN : YK. SATO	05.08.29		1/1		

X-ON Electronics

Largest Supplier of Electrical and Electronic Components

Click to view similar products for [I/O Connectors](#) category:

Click to view products by [Hirose](#) manufacturer:

Other Similar products are found below :

[571763P](#) [58098-0628](#) [72.250.1628.2](#) [72.250.2428.2](#) [74720-0505](#) [76.350.0729.0](#) [76871-1403](#) [FCN-244F080-G/1](#) [FCN-260A9920](#) [PCR-E36PM](#) [PCS-XE26MA+](#) [G38A71314B](#) [1571250010](#) [157-22500-3](#) [MS3471L14-19P L/C](#) [192991-0703](#) [172501-4002](#) [172501-6002](#) [FCN-260C008-A/L0](#) [FCN-260C024-AL0](#) [FCN-261Z008](#) [2000314-1](#) [200331-1](#) [PCR-E36FC+](#) [PCS-E28FS+](#) [PCS-XE26SLFD+](#) [PCS-XE26SLFDT+](#) [G730VID08BDC24](#) [U90B2054081210](#) [UE86K842720321](#) [38113800006](#) [DP3AR020WQ1R200](#) [Z4.102.0680.0](#) [500-1040](#) [500-1052](#) [500-1054](#) [ZP-4008-66L](#) [0709821002](#) [DX40-20P\(55\)](#) [5554841-1](#) [MS3474W18-8P-LC*](#) [SM3106F14S-7S-LC](#) [U90B3054061110](#) [U65-E04-4020](#) [ZPF000000000097891](#) [557-262M2-06C](#) [747360449](#) [10099439-003C-TRLF](#) [10137239-0021LF](#) [E9320-001-01](#)