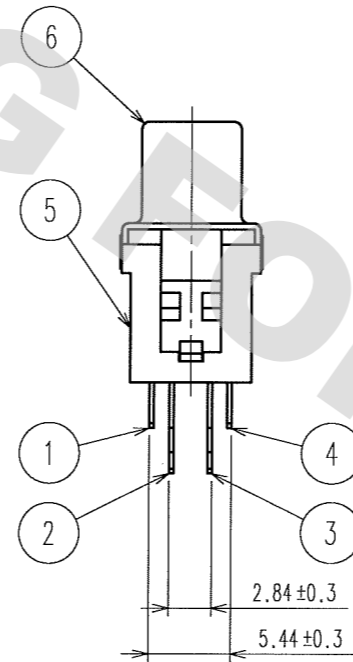
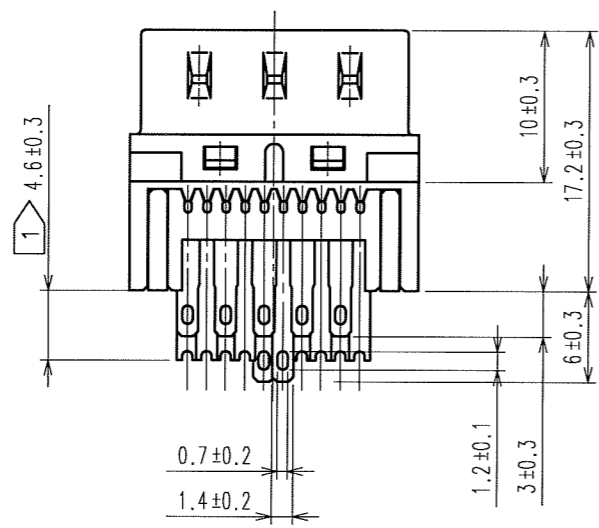
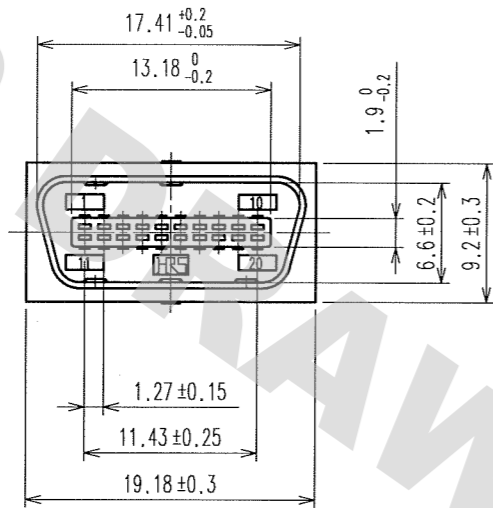
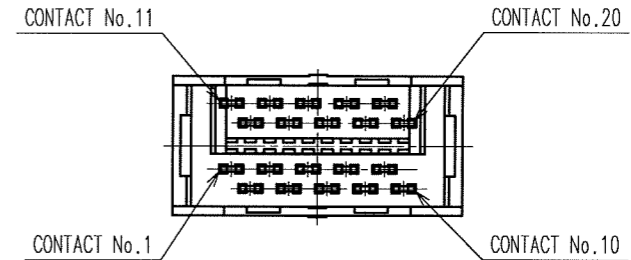


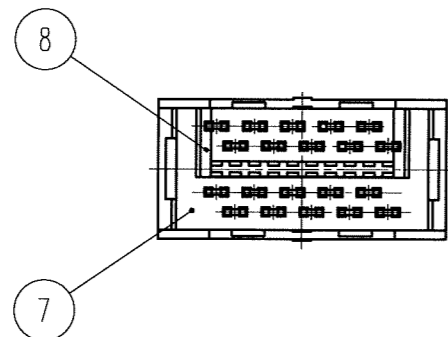
COUNT	DESCRIPTION OF REVISIONS	BY	CHKD	DATE	COUNT	DESCRIPTION OF REVISIONS	BY	CHKD	DATE
△				..	△				..
△				..	△				..
△				..	△				..



CONTACT NO. ON THE SIDE OF CABLE ASSEMBLY IS AS SHOWN BELOW.



NOTE 1 THE LENGTH OF CONTACT NO.1,3,7,9,12,14,18,AND 20 IS 4.6±0.3.



4	PHOSPHOR BRONZE	CONTACT AREA:GOLD PLATING 0.2μm TERMINAL AREA:GOLD FLASH PLATING	8	PBT	UL94V-0 (BLACK)
3	PHOSPHOR BRONZE	CONTACT AREA:GOLD PLATING 0.2μm TERMINAL AREA:GOLD FLASH PLATING	7	PBT	UL94V-0 (BLACK)
2	PHOSPHOR BRONZE	CONTACT AREA:GOLD PLATING 0.2μm TERMINAL AREA:GOLD FLASH PLATING	6	STEEL	NICKEL PLATING 1~3μm
1	PHOSPHOR BRONZE	CONTACT AREA:GOLD PLATING 0.2μm TERMINAL AREA:GOLD FLASH PLATING	5	PBT	UL94V-0 (MILKY-WHITE)
NO.	MATERIAL	FINISH, REMARKS	NO.	MATERIAL	FINISH, REMARKS

CODE NO. (OLD)	DRAWN	DESIGNED	CHECKED	APPROVED	RELEASED
	<i>Y. Sato</i> 05.09.01	<i>T. Taniguchi</i> 05.09.01	<i>Y. Enami</i> 05.09.01	<i>H. Miura</i> 05.09.01	..

SCALE 2 : 1	DRAWING NO. EDC3-040137-01	PART NO. DX40-20P(55)
UNITS mm	<b>HRS</b> HIROSE ELECTRIC CO., LTD	CODE NO. CL230-0107-2-55

1/1

DRAWING FOR REFERENCE: This is subject to change without notice  
08/11/2012

TO
Q1

## X-ON Electronics

Largest Supplier of Electrical and Electronic Components

*Click to view similar products for [I/O Connectors](#) category:*

*Click to view products by [Hirose](#) manufacturer:*

Other Similar products are found below :

[571763P](#) [58098-0628](#) [72.250.1628.2](#) [72.250.2428.2](#) [74720-0505](#) [76.350.0729.0](#) [76871-1403](#) [FCN-244F080-G/1](#) [FCN-260A9920](#) [PCR-E36PM](#) [PCS-XE26MA+](#) [G38A71314B](#) [1571250010](#) [157-22500-3](#) [MS3471L14-19P L/C](#) [192991-0703](#) [172501-4002](#) [172501-6002](#) [FCN-260C008-A/L0](#) [FCN-260C024-AL0](#) [FCN-261Z008](#) [2000314-1](#) [200331-1](#) [PCR-E36FC+](#) [PCS-E28FS+](#) [PCS-XE26SLFD+](#) [PCS-XE26SLFDT+](#) [G730VID08BDC24](#) [U90B2054081210](#) [UE86K842720321](#) [38113800006](#) [DP3AR020WQ1R200](#) [Z4.102.0680.0](#) [500-1040](#) [500-1052](#) [500-1054](#) [ZP-4008-66L](#) [0709821002](#) [DX40-20P\(55\)](#) [5554841-1](#) [MS3474W18-8P-LC\\*](#) [SM3106F14S-7S-LC](#) [U90B3054061110](#) [U65-E04-4020](#) [ZPF000000000097891](#) [557-262M2-06C](#) [747360449](#) [10099439-003C-TRLF](#) [10137239-0021LF](#) [E9320-001-01](#)