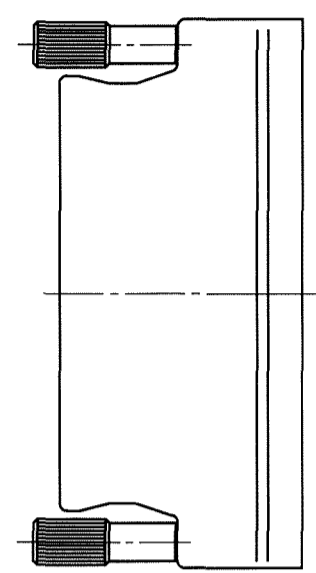
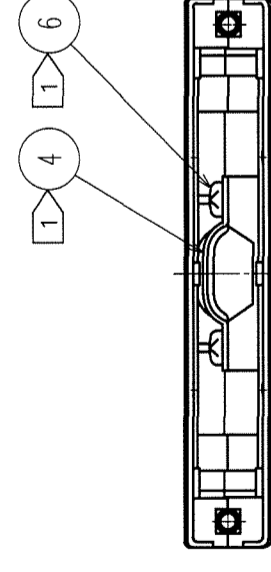
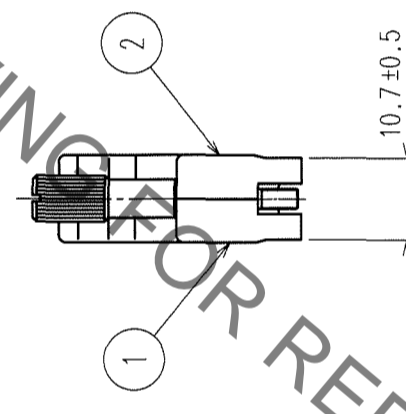
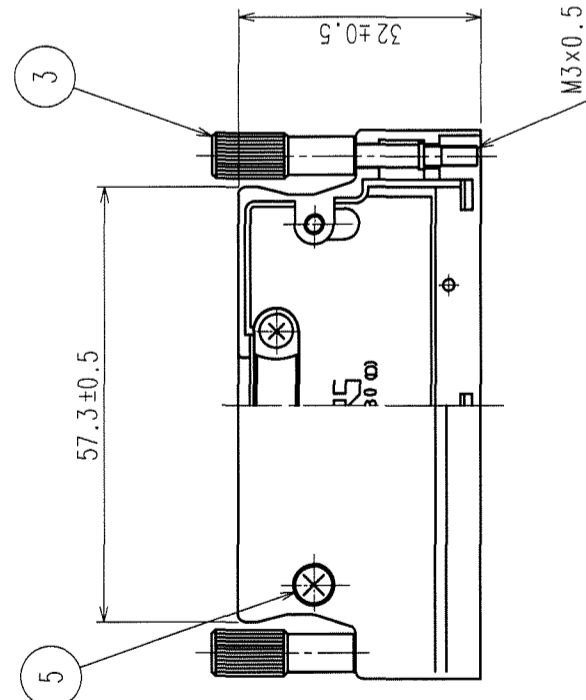
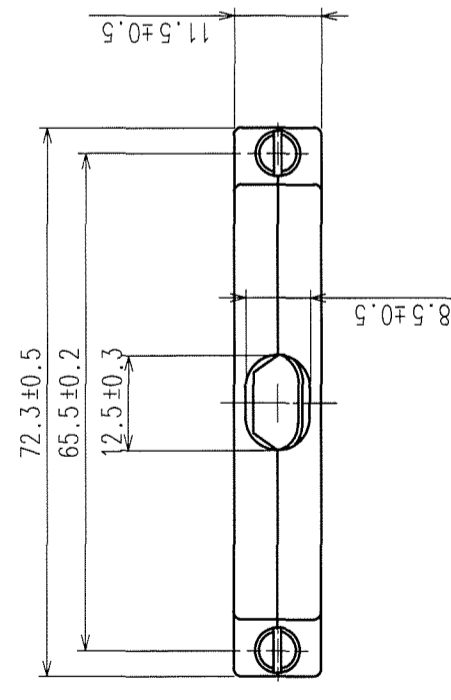


2 In case of consideration for using Automotive equipment / device which demand high reliability, kindly contact our sales window correspondents.

| COUNT | DESCRIPTION OF REVISIONS | BY      | CHKD | DATE    | COUNT | DESCRIPTION OF REVISIONS | BY | CHKD | DATE |
|-------|--------------------------|---------|------|---------|-------|--------------------------|----|------|------|
| 1     | RE-E-10106               | Y.S.Y.E | Y.E  | 04.7.14 | △     |                          |    |      |      |
| △     |                          |         |      |         | △     |                          |    |      |      |
| △     |                          |         |      |         | △     |                          |    |      |      |



HRS DRAWING FOR REFERENCE

NOTES : ① COPONENTS OF REF. NO. ④ AND ⑥ ARE APPENDED PRODUCTS.

| NO. | MATERIAL               | FINISH, REMARKS        | NO. | MATERIAL        | FINISH, REMARKS |
|-----|------------------------|------------------------|-----|-----------------|-----------------|
| 3   | STEEL                  | NICKEL PLATING         | 6   | STEEL           | NICKEL PLATING  |
| 2   | ZINC ALLOY DIE CASTING | SILVER BURNING COATING | 5   | BRASS           | NICKEL PLATING  |
| 1   | ZINC ALLOY DIE CASTING | SILVER BURNING COATING | 4   | STAINLESS STEEL |                 |

| CODE NO. (OLD) | DRAWN              | DESIGNED           | CHECKED                 | APPROVED       | RELEASED |
|----------------|--------------------|--------------------|-------------------------|----------------|----------|
|                | <i>K. Nagamura</i> | <i>K. Nagamura</i> | <i>J. E. 2014.05.11</i> | <i>H. Muro</i> |          |
|                | 2014.05.11         | 2014.05.11         | 2014.05.14              | 2014.05.14     |          |

| DRAWING NO. | PART NO.  |
|-------------|-----------|
| EDC3-029846 | DX-80-CV1 |

| SCALE | UNITS |
|-------|-------|
| 1 : 1 | MM    |

| CODE NO.     |
|--------------|
| CL230-0059-1 |

TO  
Q1  
(USA)

## X-ON Electronics

Largest Supplier of Electrical and Electronic Components

*Click to view similar products for [D-Sub Backshells](#) category:*

*Click to view products by [Hirose](#) manufacturer:*

Other Similar products are found below :

[600X51137X](#) [600X54009X](#) [66241-12A](#) [M85049/6-38N](#) [M85049/86-12N03](#) [M85049/90-13P03](#) [70.350.0636.4](#) [70.350.2435.1](#) [72.350.1035.2](#)  
[72.352.2435.1](#) [73.359.4035.3](#) [829472-1](#) [PCS-E20W](#) [970-015-040R011](#) [971-009-030R121](#) [971-009-040R011](#) [971-015-040R011](#) [DPH-B-003](#)  
[1437013-9](#) [1484402-8](#) [156-3025-EX](#) [16-500800](#) [165X02659X](#) [165X03399A](#) [165X10259X](#) [165X11359X](#) [165X11689X](#) [165X11759X](#)  
[165X11889X](#) [165X11899X](#) [165X13019X](#) [165X13029X](#) [165X13169X](#) [165X13199X](#) [165X13239X](#) [165X13389X](#) [165X13489X](#)  
[165X14219X](#) [165X14429X](#) [165X14449X](#) [165X17409X](#) [165X17439X](#) [165X17569X](#) [165X17599X](#) [165X17609X](#) [165X17979X](#) [L171373](#)  
[971-025-030R121](#) [300X10989X](#) [165X02609X](#)