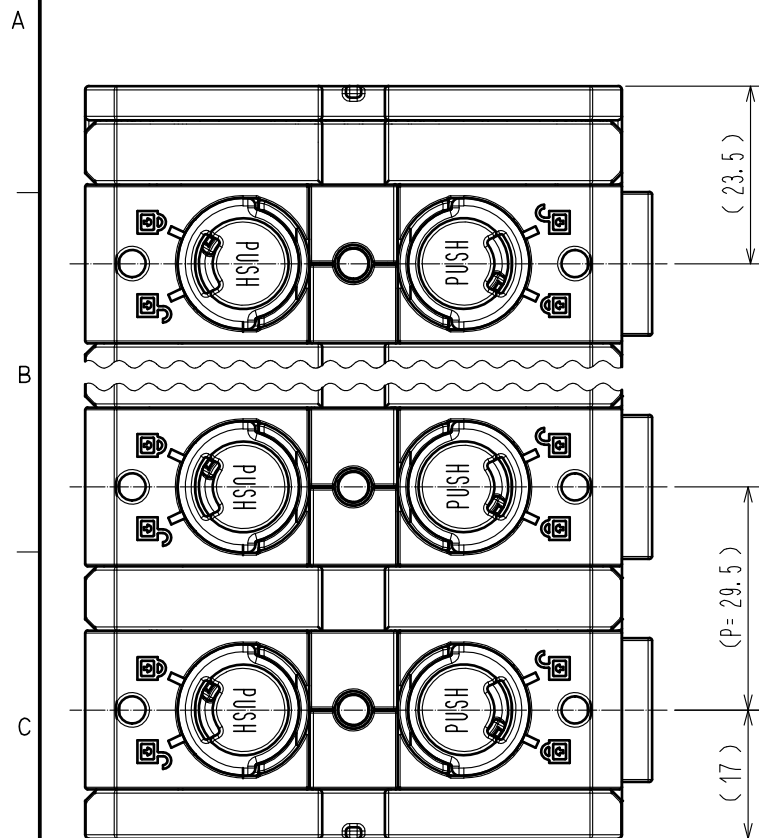


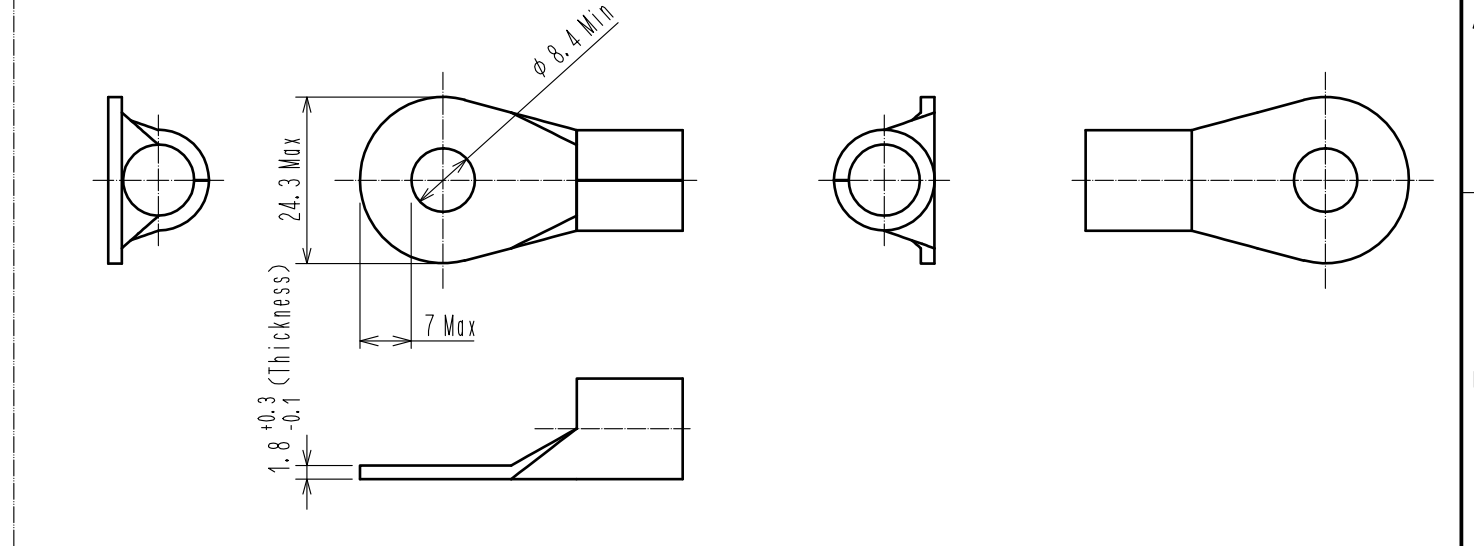
May.1.2019 Copyright 2019 HIROSE ELECTRIC CO., LTD. All Rights Reserved.
In case of consideration for using Automotive equipment / device which demand high reliability, kindly contact our sales window correspondents.




Figure.1 Locked State External View

Figure.2 Applicable Contact (Commercial item)(Free)



The protruding part shall be on the  mark side.



- Notes
- Applicable crimp contacts:
 -  TE Connectivity Ltd. 33471.
 -  TE Connectivity Ltd. 321600.
 -  TE Connectivity Ltd. 321868.
 - NICHIFU CO.,LTD R22-8, R22-10, J.S.T.MFG.CO.,LTD R22-8, R22-10 or equivalent.
 - NICHIFU CO.,LTD R38-8, R38-10, J.S.T.MFG.CO.,LTD R38-8, R38-10 or equivalent.
 - NICHIFU CO.,LTD R60-8, R60-10, J.S.T.MFG.CO.,LTD R60-8, R60-10 or equivalent.
 - Applicable crimping tool: JIS-C-9711 IZUMI CO.,LTD 9H-60 or REC-Li150.
 - When inserting the contact, please do so until Ref. No. ④ rotates back to its original position (shown in Figure.1 Locked State External View). Furthermore, lightly pull the cable to confirm that the contact is locked and mated.
 - Points to note before use:
 - Use only tin coated material.
 - Please check that dimensions satisfy those of Figure.2 and that there is no deformation, dirt etc., or abnormal contact resistance value.
 - Insertion and withdrawal forces, as well as contact resistance values could change due to the quality of the coating. Therefore, please evaluate beforehand.
- Warning 5. This product is not hot pluggable.
Warning 6. Keep your fingers and other conductors from coming into contact with the electrically charged parts in order to avoid electrical shock or a short circuit.

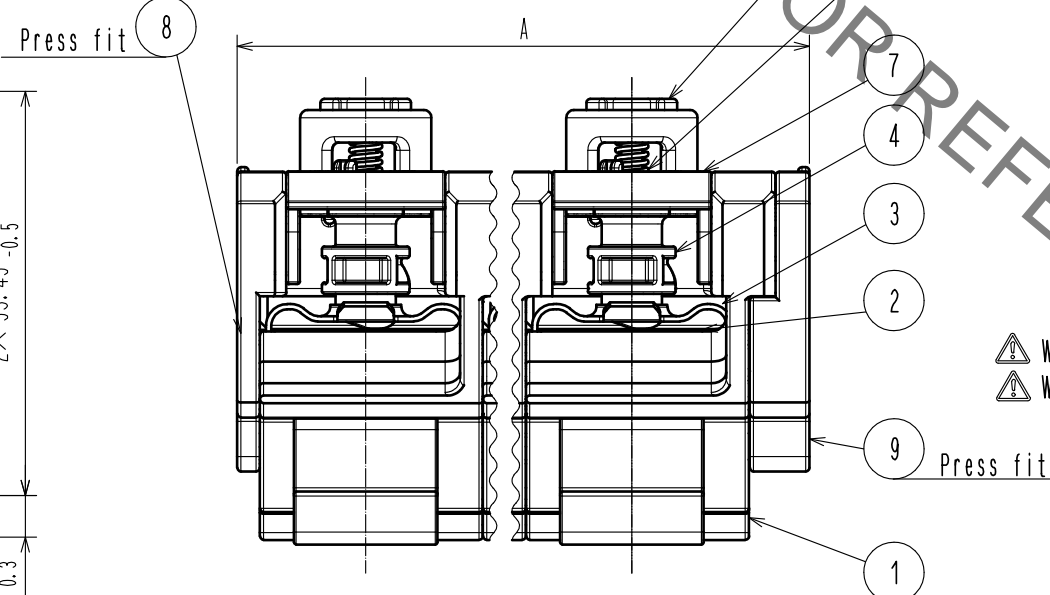
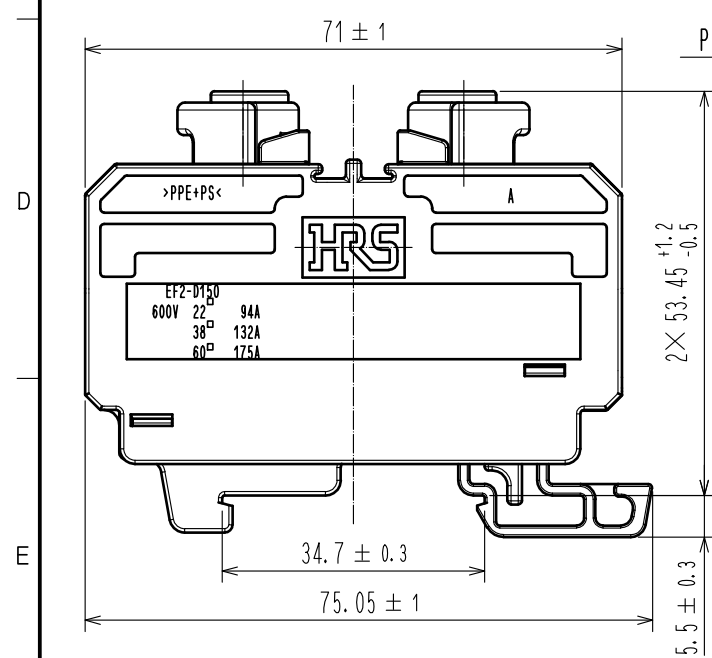


Table.1 Number of contacts and width

HRS No.	Part No.	Number of Contacts	A
142-0100-0-00	EF2-D150-1	1	40.5 ^{+1.5} / _{-0.5}
142-0105-0-00	EF2-D150-2	2	70 ⁺² / ₋₁
142-0106-0-00	EF2-D150-3	3	99.5 ^{+2.5} / _{-1.5}
142-0107-0-00	EF2-D150-4	4	129 ⁺³ / _{-1.5}
142-0108-0-00	EF2-D150-5	5	158.5 ⁺³ / _{-1.5}

NO.	MATERIAL	FINISH . REMARKS	NO.	MATERIAL	FINISH . REMARKS
5	Stainless steel				
4	PBT	(Red) UL94V-0	9	m-PPE	(Black) UL94V-0
3	Stainless steel		8	m-PPE	(Black) UL94V-0
2	Copper	Tin plating 1μm min	7	m-PPE	(Black) UL94V-0
1	m-PPE	(Black) UL94V-0	6	PBT	(Black) UL94V-0

UNITS	SCALE	COUNT	DESCRIPTION OF REVISIONS	DESIGNED	CHECKED	DATE
mm	1 : 1	3	DIS-C-00002564	TP.KOMATSU	YH.YAMADA	20181114

APPROVED	20180509	DRAWING NO.	EDC-119825-00-00
YH.YAMADA			
CHECKED	20180509	PART NO.	EF2-D150-*
TP.KOMATSU			
DESIGNED	20180509	CODE NO.	CL142
WR.AJIRO			
DRAWN	20180509		
EK.KIDO			

X-ON Electronics

Largest Supplier of Electrical and Electronic Components

Click to view similar products for [DIN Rail Terminal Blocks](#) category:

Click to view products by [Hirose](#) manufacturer:

Other Similar products are found below :

[00110420202](#) [8WA1011-1BH23](#) [8WA1011-1EF20](#) [91.010](#) [9102100000](#) [91.040](#) [9123140000](#) [9123140001](#) [1333564](#) [DP25-GY-ND](#) [1431306](#)
[1433306](#) [90.070](#) [91.020](#) [912314](#) [260-301_NR](#) [280-331](#) [280-560](#) [280-564](#) [281-611/281-542](#) [281-673/281-411](#) [281-994](#) [283-317](#) [283-607](#)
[284-691](#) [2909798](#) [264-724](#) [264-726](#) [280-530](#) [280-555](#) [280-619](#) [281-610](#) [281-622/281-417](#) [284-317](#) [284-601](#) [2907033](#) [35956](#) [USK 10](#)
[102510](#) [1025100000](#) [5520682](#) [591620-2](#) [1-591651-1](#) [8671050000](#) [264-706](#) [280-575](#) [592814-1](#) [592814-3](#) [UMSTBVK 2 5/ 5-STF-5 08](#)
[NRA37-12](#)