

May.1.2019 Copyright 2019 HIROSE ELECTRIC CO., LTD. All Rights Reserved.
In case of consideration for using Automotive equipment / device which demand high reliability, kindly contact our sales window correspondents.

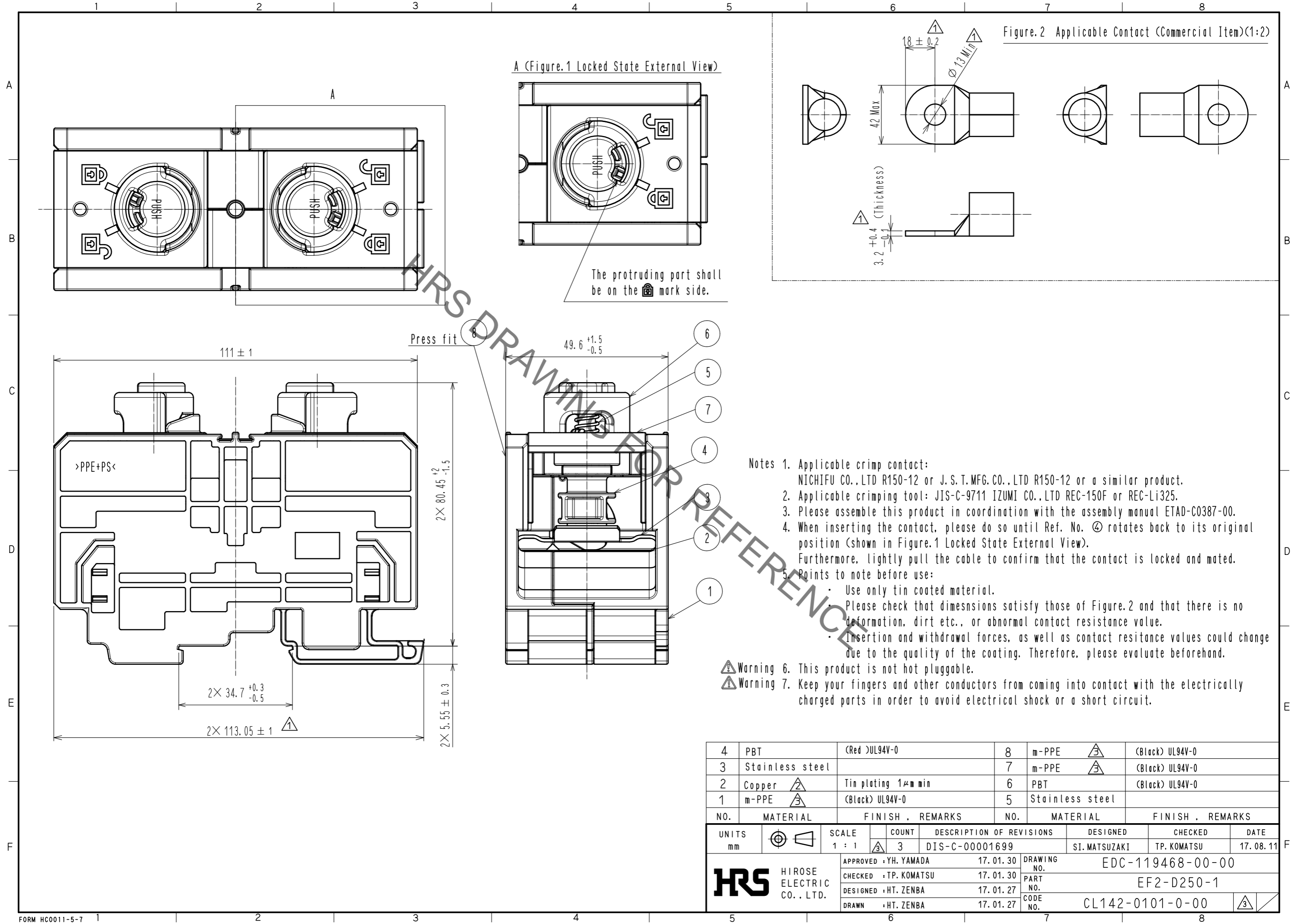


Figure.2 Applicable Contact (Commercial Item)(1:2)

A (Figure.1 Locked State External View)

The protruding part shall be on the mark side.

- Notes
- Applicable crimp contact: NICHIFU CO.,LTD R150-12 or J.S.T.MFG.CO.,LTD R150-12 or a similar product.
 - Applicable crimping tool: JIS-C-9711 IZUMI CO.,LTD REC-150F or REC-Li325.
 - Please assemble this product in coordination with the assembly manual ETAD-C0387-00.
 - When inserting the contact, please do so until Ref. No. ④ rotates back to its original position (shown in Figure.1 Locked State External View). Furthermore, lightly pull the cable to confirm that the contact is locked and mated.
 - Points to note before use:
 - Use only tin coated material.
 - Please check that dimensions satisfy those of Figure.2 and that there is no deformation, dirt etc., or abnormal contact resistance value.
 - Insertion and withdrawal forces, as well as contact resistance values could change due to the quality of the coating. Therefore, please evaluate beforehand.

- ⚠ Warning 6. This product is not hot pluggable.
⚠ Warning 7. Keep your fingers and other conductors from coming into contact with the electrically charged parts in order to avoid electrical shock or a short circuit.

4	PBT	(Red) UL94V-0	8	m-PPE	⚠	(Black) UL94V-0
3	Stainless steel		7	m-PPE	⚠	(Black) UL94V-0
2	Copper	Tin plating 1μm min	6	PBT		(Black) UL94V-0
1	m-PPE	(Black) UL94V-0	5	Stainless steel		
NO.	MATERIAL	FINISH . REMARKS	NO.	MATERIAL	FINISH . REMARKS	
UNITS	mm	SCALE	1 : 1	COUNT	3	DESCRIPTION OF REVISIONS
					DESIGNED	SI. MATSUZAKI
					CHECKED	TP. KOMATSU
					DATE	17. 08. 11
APPROVED : YH. YAMADA			17. 01. 30		DRAWING NO. EDC-119468-00-00	
CHECKED : TP. KOMATSU			17. 01. 30		PART NO. EF2-D250-1	
DESIGNED : HT. ZENBA			17. 01. 27		CODE NO. CL142-0101-0-00	
DRAWN : HT. ZENBA			17. 01. 27			

X-ON Electronics

Largest Supplier of Electrical and Electronic Components

Click to view similar products for [DIN Rail Terminal Blocks](#) category:

Click to view products by [Hirose](#) manufacturer:

Other Similar products are found below :

[00110420202](#) [8WA1011-1BH23](#) [8WA1011-1EF20](#) [91.010](#) [9102100000](#) [91.040](#) [9123140000](#) [9123140001](#) [1333564](#) [DP25-GY-ND](#) [1431306](#)
[1433306](#) [90.070](#) [91.020](#) [912314](#) [260-301_NR](#) [280-331](#) [280-560](#) [280-564](#) [281-611/281-542](#) [281-673/281-411](#) [281-994](#) [283-317](#) [283-607](#)
[284-691](#) [2909798](#) [264-724](#) [264-726](#) [280-530](#) [280-555](#) [280-619](#) [281-610](#) [281-622/281-417](#) [284-317](#) [284-601](#) [2907033](#) [35956](#) [USK 10](#)
[102510](#) [1025100000](#) [5520682](#) [591620-2](#) [1-591651-1](#) [8671050000](#) [264-706](#) [280-575](#) [592814-1](#) [592814-3](#) [UMSTBVK 2 5/ 5-STF-5 08](#)
[NRA37-12](#)