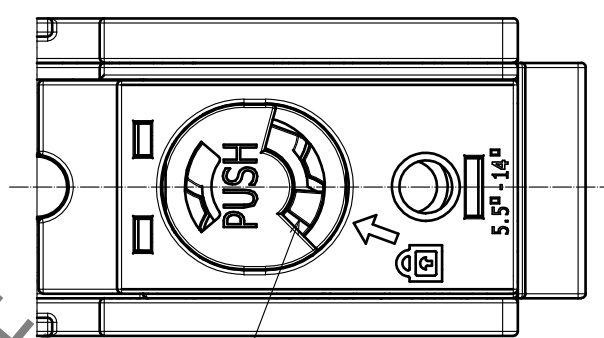


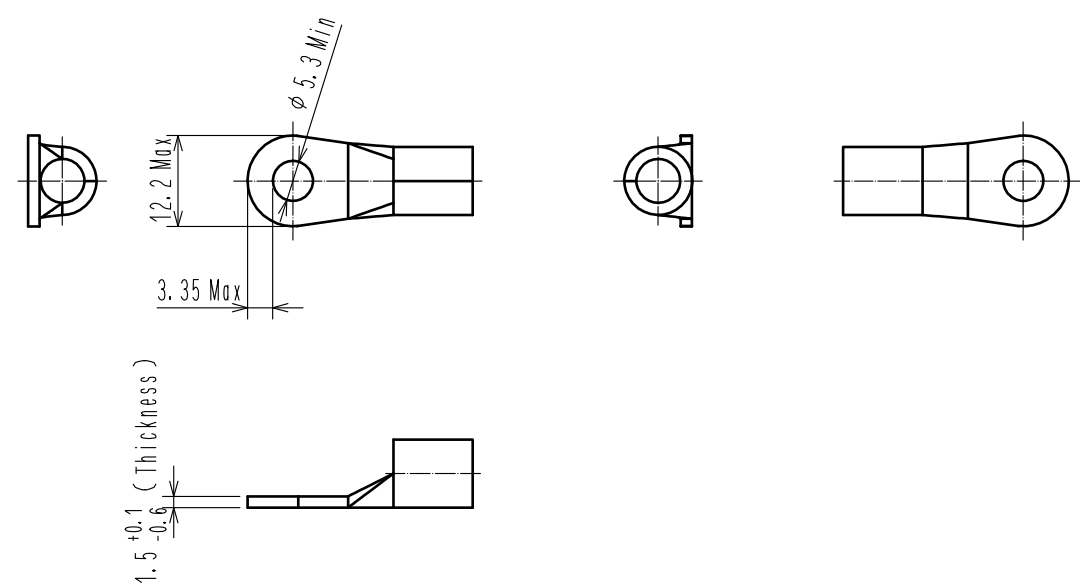
Jun.1.2019 Copyright 2019 HIROSE ELECTRIC CO., LTD. All Rights Reserved.
 In case of consideration for using Automotive equipment / device which demand high reliability, kindly contact our sales window correspondents.

A(Figure.1 Locked State External View)(2:1)

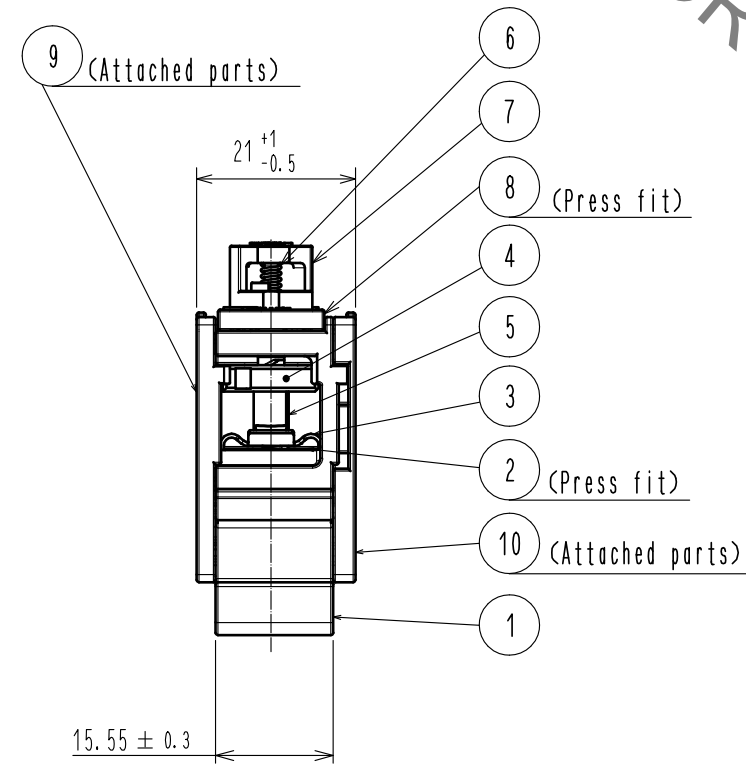
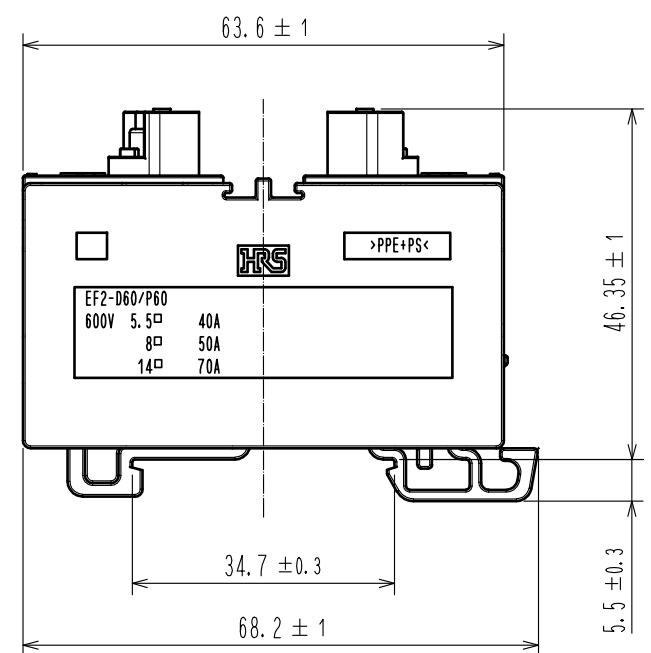
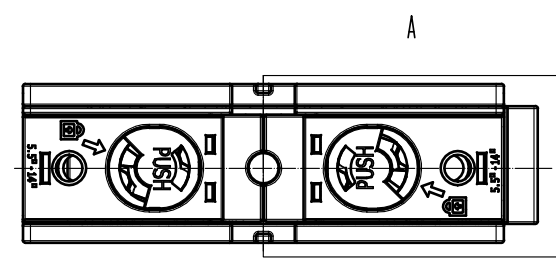


The protruding part shall be on the ← mark side.

Figure.2 Applicable Contact (Commercial item)(Free)



- Notes
- Applicable crimp contacts:
 NICHIFU CO.,LTD R5.5-5 or J.S.T.MFG.CO.,LTD R5.5-5 or a similar product.
 NICHIFU CO.,LTD R8-5 or J.S.T.MFG.CO.,LTD R8-5 or a similar product.
 NICHIFU CO.,LTD R14-5 or J.S.T.MFG.CO.,LTD R14-5 or a similar product.
 - Applicable crimping tool: JIS-C-9711 MAXELL IZUMI CO.,LTD 214A or REC-Li60S.
 - Please assemble this product in coordination with the assembly manual ETAD-C0387-00.
 - When inserting the contact, please do so until Ref. No. ⑤ rotates back to its original position (shown in Figure.1 Locked State External View).
 Furthermore, lightly pull the cable to confirm that the contact is locked and mated.
 - Points to note before use:
 - Use only tin coated material.
 - Please check that dimensions satisfy those of Figure.2 and that there is no deformation, dirt etc., or abnormal contact resistance value.
 - Insertion and withdrawal forces, as well as contact resistance values could change due to the quality of the coating. Therefore, please evaluate beforehand.
- ⚠ Warning 6. This product is not hot pluggable.
 ⚠ Warning 7. Keep your fingers and other conductors from coming into contact with the electrically charged parts in order to avoid electrical shock or a short circuit.
- ⚠ 8. (Note Delete)
- ⑨ To prevent parts ⑨ and ⑩ from dropping off, attach fasteners on both side.



NO.	MATERIAL	FINISH	REMARKS	NO.	MATERIAL	FINISH	REMARKS
5	PBT	(Orange)	UL94V-0	10	m-PPE	(Black)	UL94V-0
4	PBT	(Black)	UL94V-0	9	m-PPE	(Black)	UL94V-0
3	Stainless steel			8	m-PPE	(Black)	UL94V-0
2	Copper	Tin plating	3μm min	7	PBT	(Black)	UL94V-0
1	m-PPE	(Black)	UL94V-0	6	Stainless steel		

UNITS	SCALE	COUNT	DESCRIPTION OF REVISIONS	DESIGNED	CHECKED	DATE
mm	1 : 1	2	DIS-C-00003222	EK. KIDO	TP. KOMATSU	20190603
APPROVED : YH. YAMADA			20180226	DRAWING NO. EDC-119729-00-00		
CHECKED : TP. KOMATSU			20180226	PART NO. EF2-D60-1		
DESIGNED : HT. ZENBA			20180226	CODE NO. CL142-0104-0-00		
DRAWN : EK. KIDO			20180226			

X-ON Electronics

Largest Supplier of Electrical and Electronic Components

Click to view similar products for [DIN Rail Terminal Blocks](#) category:

Click to view products by [Hirose](#) manufacturer:

Other Similar products are found below :

[00110420202](#) [8WA1011-1BH23](#) [8WA1011-1EF20](#) [91.010](#) [9102100000](#) [91.040](#) [9123140000](#) [9123140001](#) [1333564](#) [DP25-GY-ND](#) [1431306](#)
[1433306](#) [90.070](#) [91.020](#) [912314](#) [260-301_NR](#) [280-331](#) [280-560](#) [280-564](#) [281-611/281-542](#) [281-673/281-411](#) [281-994](#) [283-317](#) [283-607](#)
[284-691](#) [2909798](#) [264-724](#) [264-726](#) [280-530](#) [280-555](#) [280-619](#) [281-610](#) [281-622/281-417](#) [284-317](#) [284-601](#) [2907033](#) [35956](#) [USK 10](#)
[102510](#) [1025100000](#) [5520682](#) [591620-2](#) [1-591651-1](#) [8671050000](#) [264-706](#) [280-575](#) [592814-1](#) [592814-3](#) [UMSTBVK 2 5/ 5-STF-5 08](#)
[NRA37-12](#)