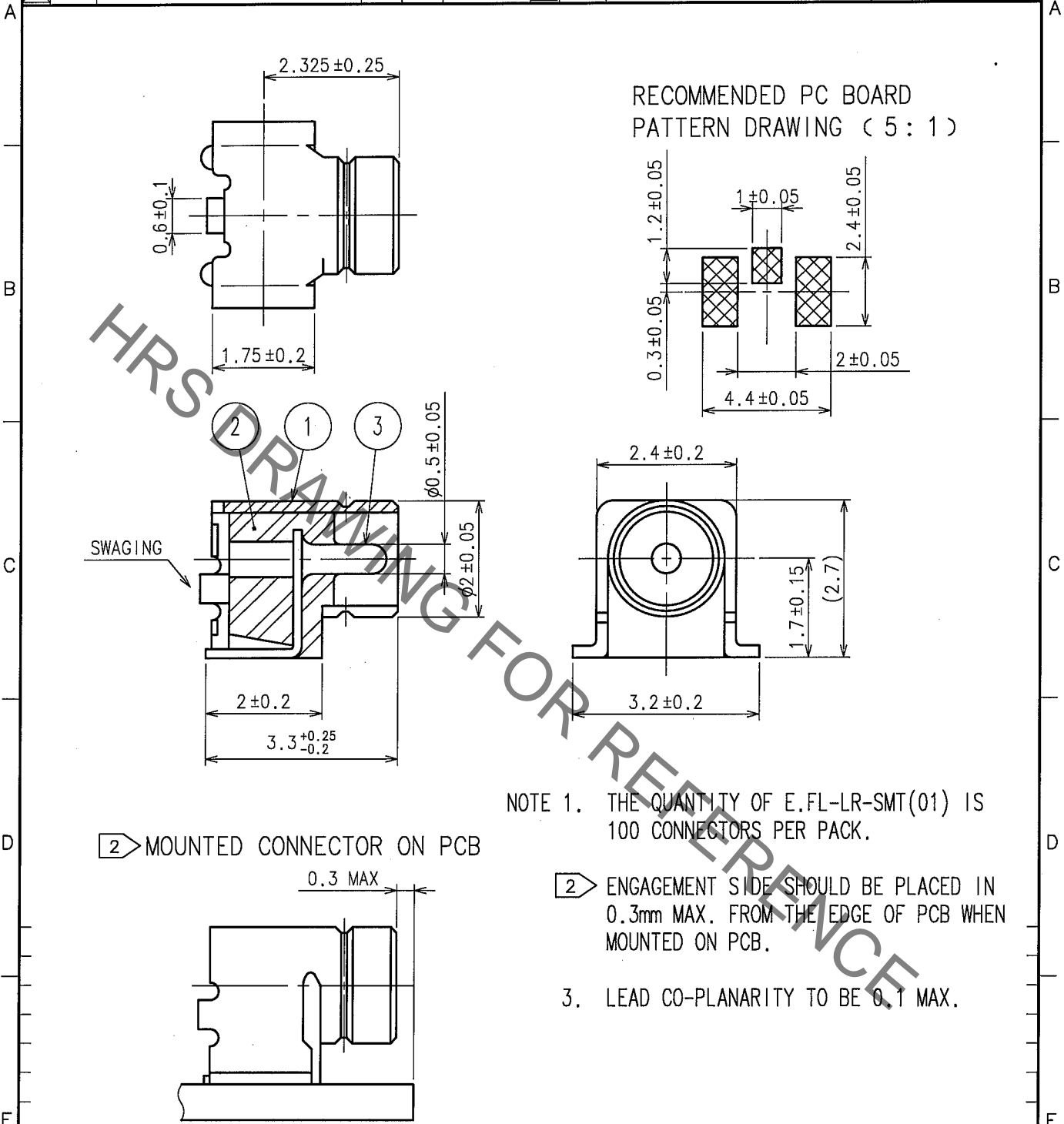


Sep.1.2021 Copyright 2021 HIROSE ELECTRIC CO., LTD. All Rights Reserved.  
In case of consideration for using Automotive equipment / device which demand high reliability, kindly contact our sales window correspondents.

1					2					3					4				
COUNT	DESCRIPTION OF REVISIONS				BY	CHKD	DATE	COUNT	DESCRIPTION OF REVISIONS				BY	CHKD	DATE				
△								△											
△								△											
△								△											



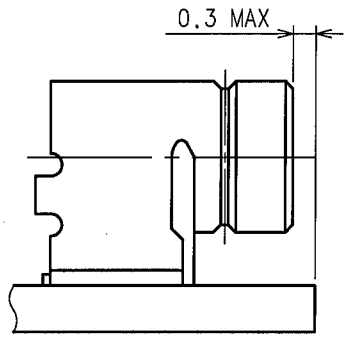
HRS DRAWING FOR REFERENCE

NOTE 1. THE QUANTITY OF E.FL-LR-SMT(01) IS 100 CONNECTORS PER PACK.

2. ENGAGEMENT SIDE SHOULD BE PLACED IN 0.3mm MAX. FROM THE EDGE OF PCB WHEN MOUNTED ON PCB.

3. LEAD CO-PLANARITY TO BE 0.1 MAX.

2. MOUNTED CONNECTOR ON PCB



2	LCP	(BLACK) UL94V-0	3	BRASS	GOLD PLATING		
1	PHOSPHOR BRONZE	SILVER PLATING					
NO.	MATERIAL	FINISH, REMARKS	NO.	MATERIAL	FINISH, REMARKS		
CODE NO. (OLD) CL			DRAWN	DESIGNED	CHECKED	APPROVED	RELEASED
RoHS COMPLIANT			<i>H. Sugiyama</i> 06.06.02	<i>T. Katayama</i> 06.06.02	<i>H. Shimizu</i> 06.06.05	<i>J. Mitani</i> 06.06.03	
DRAWING NO. EDC4-131127-01			PART NO. E.FL-LR-SMT(01)				
UNITS mm			CODE NO. CL331-0422-4-01				1 1

TO
RF

## X-ON Electronics

Largest Supplier of Electrical and Electronic Components

*Click to view similar products for [RF Connectors / Coaxial Connectors](#) category:*

*Click to view products by [Hirose](#) manufacturer:*

Other Similar products are found below :

[8915-1511-000](#) [89674-0827](#) [6001-7071-019](#) [6002-7051-003](#) [6002-7551-202](#) [6059674-1](#) [619550-1](#) [630059-000](#) [M39030/3-01N](#) [6500-7071-046](#) [6769](#) [CX050L2AQ](#) [7002-1542-011](#) [7004-1512-000](#) [7009-1511-004](#) [7010-1511-000](#) [7029-1511-060](#) [7101-1541-010](#) [7101-1571-002](#) [7105-1521-002](#) [7145-1521-002](#) [7203-1571-003](#) [7209-1511-011](#) [7210-1511-015](#) [7210-1511-019](#) [73137-5015](#) [73216-2241](#) [7325-1512-000](#) [73404-2300](#) [7405-1521-005](#) [7405-1521-802](#) [7406-1521-005](#) [8527](#) [8547](#) [FS11V](#) [8808-1511-001](#) [9049-9513-000](#) [9074-9513-000](#) [9101-9573-002](#) [910A205F](#) [9130-9573-002](#) [PL11SC-026](#) [PL375-33](#) [PL40-5](#) [PL71-9](#) [PL74C-221](#) [PL75MC-217](#) [PL803-7](#) [980-8666-005](#) [1200690078](#)