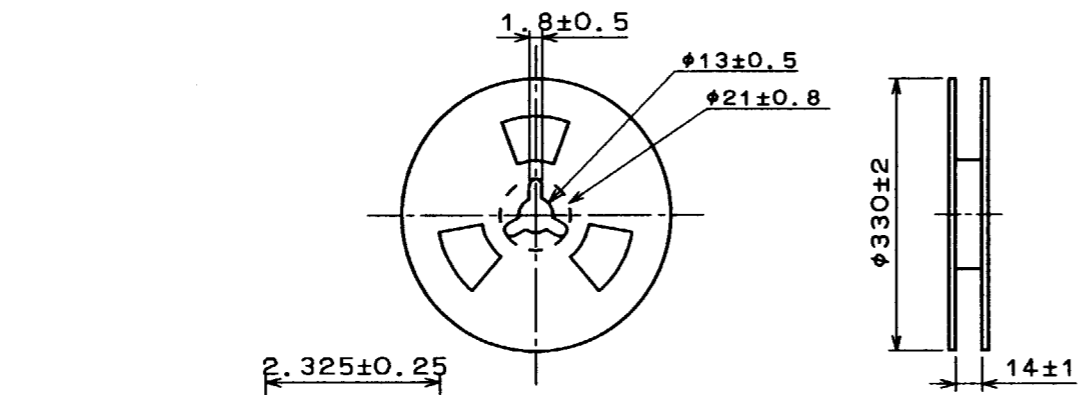


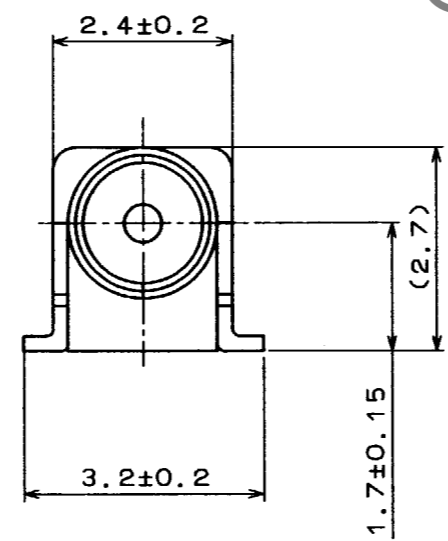
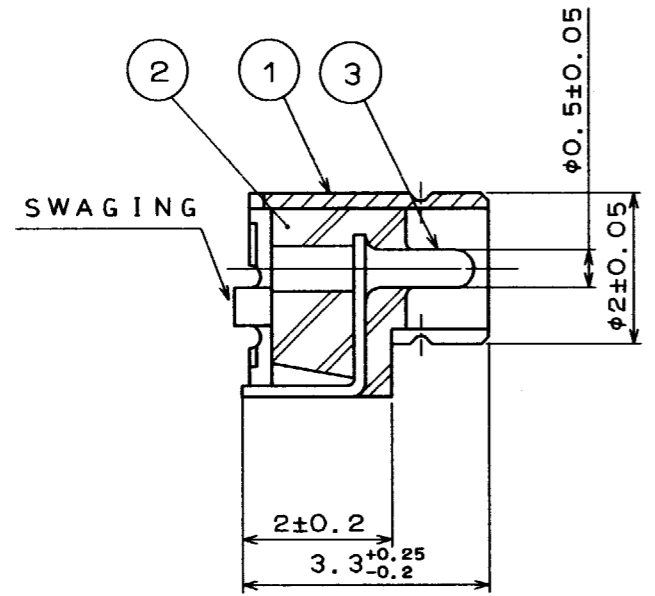
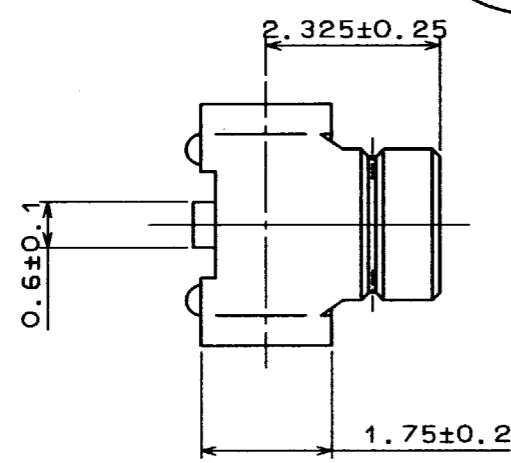
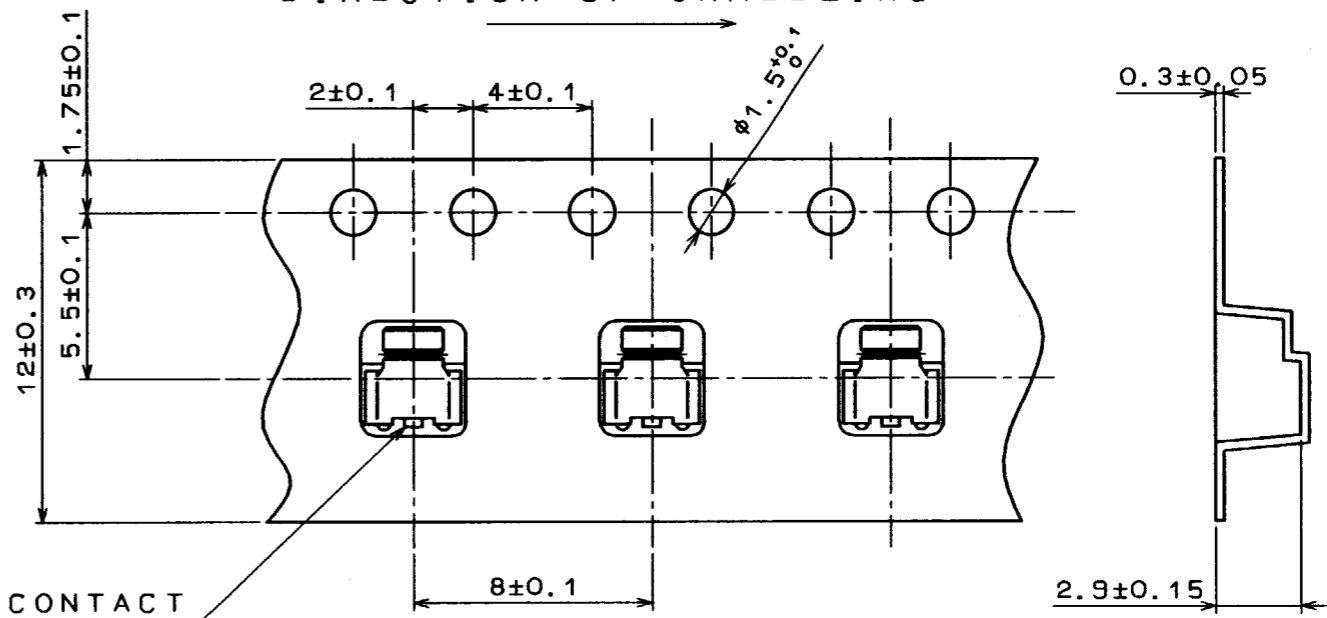
Sep.1.2021 Copyright 2021 HIROSE ELECTRIC CO., LTD. All Rights Reserved.
In case of consideration for using Automotive equipment / device which demand high reliability, kindly contact our sales window correspondents.

COUNT	DESCRIPTION OF REVISIONS	BY	CHKD	DATE	COUNT	DESCRIPTION OF REVISIONS	BY	CHKD	DATE

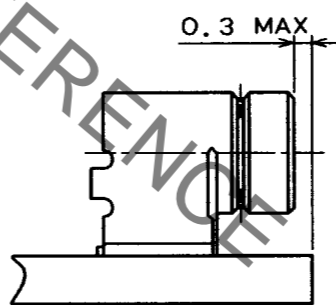
REEL DIMENSIONS (Free)



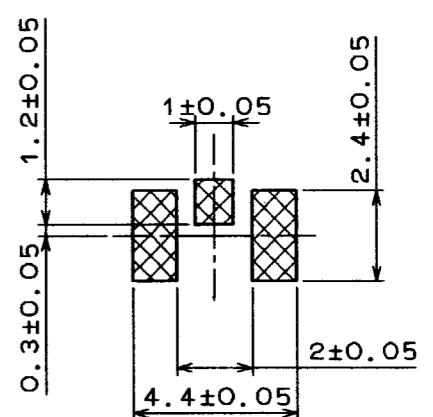
ENBOSSED TAPING DRAWING (4:1)
DIRECTION OF UNREELING



MOUNTED CONNECTOR ON PCB (8:1)



RECOMMENDED PC BOARD PATTERN DRAWING (5:1)



NOTE 1. THE QUANTITY OF E.FL-LR-SMT(10) IS 2500 CONNECTORS PER REEL.

- ② ENGAGEMENT SIDE SHOULD BE PLACED IN 0.3mm MAX. FROM THE EDGE OF PCB WHEN MOUNTED ON PCB.
- 3. LEAD CO-PLANARITY TO BE 0.1 MAX.

2	LCP	(BLACK)UL94V-0	3	BRASS	GOLD PLATED 0.2μmMIN
1	PHOSPHOR BRONZE	SILVER PLATING 2μm MIN			OVER NICKEL PLATED 1.27μm MIN
NO.	MATERIAL	FINISH, REMARKS	NO.	MATERIAL	FINISH, REMARKS
CODE NO. (OLD)		DRAWN	DESIGNED	CHECKED	APPROVED
		<i>J. Akawa</i>	<i>N. Ninomiya</i>	<i>S. Mitani</i>	<i>M. Kobayashi</i>
		97. 2. 10	97. 2. 10	97. 2. 10	97. 2. 10
DRAWING NO.		PART NO.			
EDC3-131127-10		E. FL-LR-SMT(10)			
SCALE		CODE NO.			
10:1		CL331-0422-4-10		1/1	
UNITS		HIROSE ELECTRIC CO., LTD.			
mm					

X-ON Electronics

Largest Supplier of Electrical and Electronic Components

Click to view similar products for [RF Connectors / Coaxial Connectors](#) category:

Click to view products by [Hirose](#) manufacturer:

Other Similar products are found below :

[8915-1511-000](#) [89674-0827](#) [6001-7071-019](#) [6002-7051-003](#) [6002-7551-202](#) [6059674-1](#) [619550-1](#) [630059-000](#) [M39030/3-01N](#) [6500-7071-046](#) [6769](#) [CX050L2AQ](#) [7002-1542-011](#) [7004-1512-000](#) [7009-1511-004](#) [7010-1511-000](#) [7029-1511-060](#) [7101-1541-010](#) [7101-1571-002](#) [7105-1521-002](#) [7145-1521-002](#) [7203-1571-003](#) [7209-1511-011](#) [7210-1511-015](#) [7210-1511-019](#) [73137-5015](#) [73216-2241](#) [7325-1512-000](#) [73404-2300](#) [7405-1521-005](#) [7405-1521-802](#) [7406-1521-005](#) [8527](#) [8547](#) [FS11V](#) [8808-1511-001](#) [9049-9513-000](#) [9074-9513-000](#) [9101-9573-002](#) [910A205F](#) [9130-9573-002](#) [PL11SC-026](#) [PL375-33](#) [PL40-5](#) [PL71-9](#) [PL74C-221](#) [PL75MC-217](#) [PL803-7](#) [980-8666-005](#) [1200690078](#)