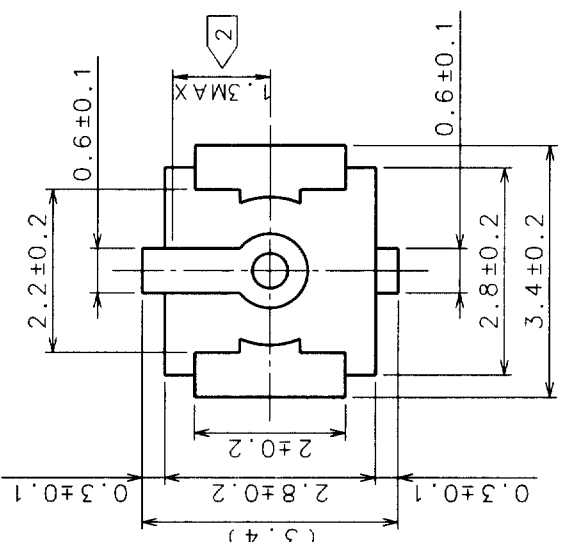
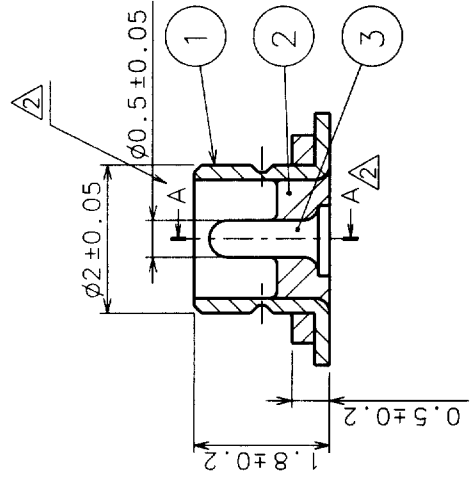
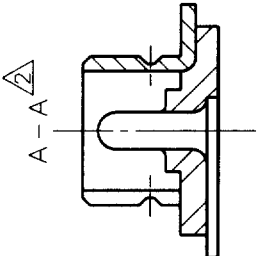
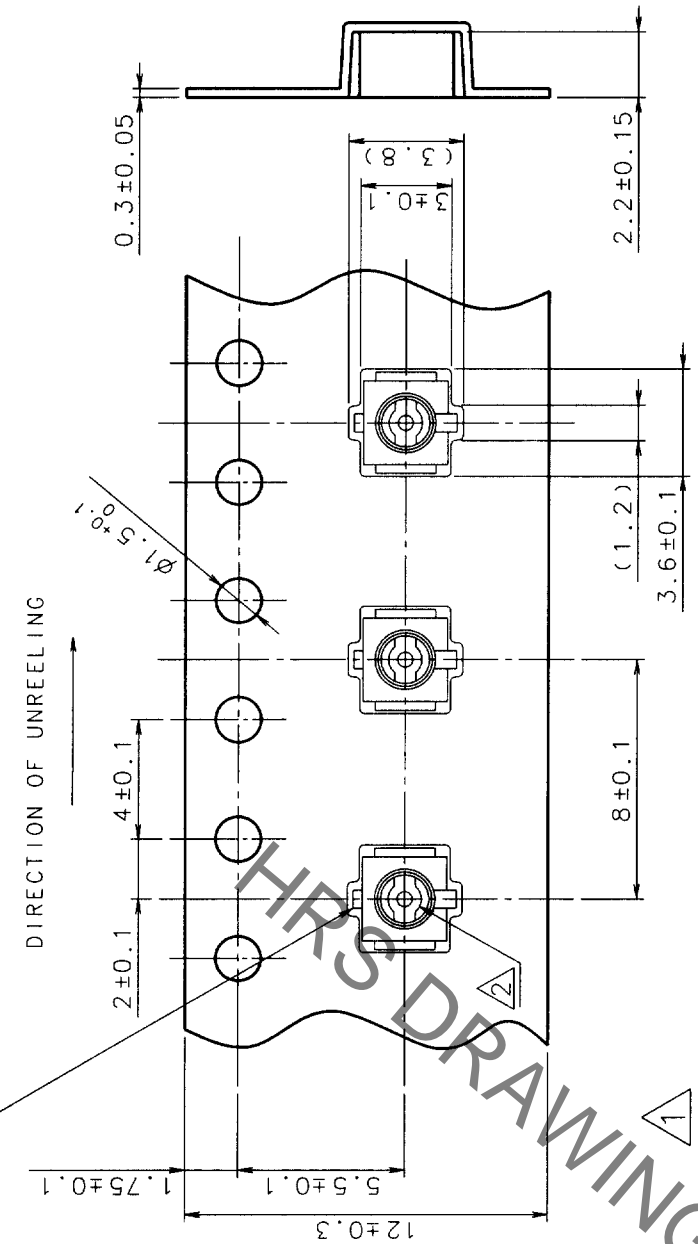


In case of consideration for using Automotive equipment / device which demand high reliability, kindly contact our sales window correspondents.

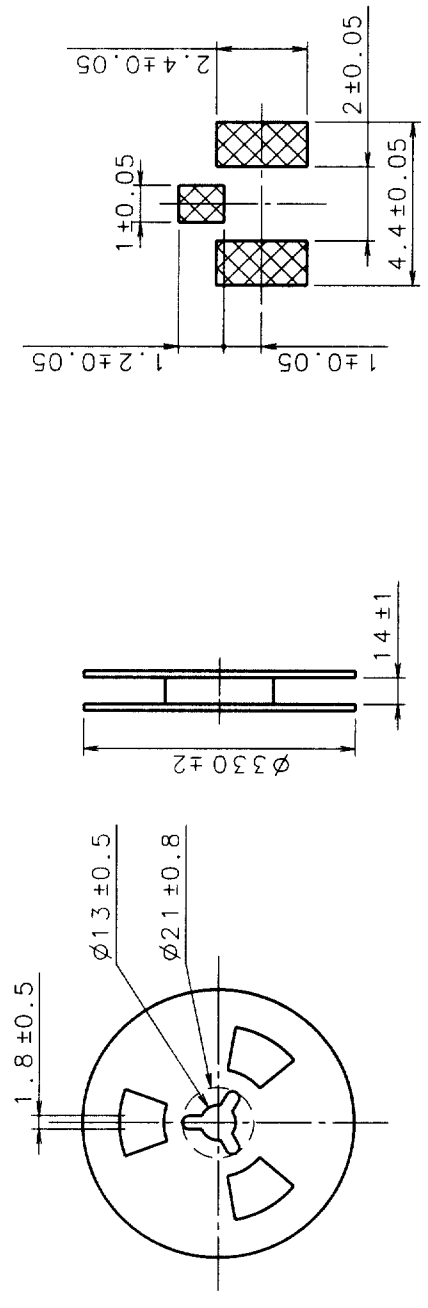
Sep.1.2021 Copyright 2021 HIROSE ELECTRIC CO., LTD. All Rights Reserved.

COUNT	DESCRIPTION OF REVISIONS	BY	CHKD	DATE	COUNT	DESCRIPTION OF REVISIONS	BY	CHKD	DATE
3	RE-D-2399	T.K.I.	M95	10.04					
5	RE-D-03306	M.H.I.M.	98.7	15					

ENBOSSED TAPING DRAWING (4:1)



REEL DRAWING (SCALE FREE)



RECOMMENDED PC BOARD PATTERN DRAWING (5:1)

NOTE 1: THE QUANTITY OF E.F.L-R-SMT(10) IS 2500 CONNECTORS PER REEL.

NOTE 2: THIS DIMENSION SHOWS THE ALLOWABLE RANGE THAT THE RESIN IS PUT OVER THE CENTER CONTACT.

NOTE 3: LEAD CO-PLANARITY SHALL BE 0.1 MAX.

NO.	MATERIAL	FINISH	REMARKS	NO.	MATERIAL	FINISH	REMARKS
2	LCP	(BLACK)	UL94V-0	3	BRASS		GOLD PLATED
1	PHOSPHOR BRONZE	SILVER PLATED					

CODE NO. (OLD)	DESIGNED	CHECKED	APPROVED	RELEASED
	T. KOMATSU	K. IKEDA	K. SHIMIZU	F. KOBAYASHI
	94.12.08	94.12.08	94.12.08	94.12.08

DRAWING NO.	PART NO.
EDC3-130348-10	E.F.L-R-SMT(10)

SCALE	UNITS	CODE NO.
5:1	mm	CL331-0421-1-10

TO RF (USA)

## X-ON Electronics

Largest Supplier of Electrical and Electronic Components

*Click to view similar products for [RF Connectors / Coaxial Connectors](#) category:*

*Click to view products by [Hirose](#) manufacturer:*

Other Similar products are found below :

[8915-1511-000](#) [89674-0827](#) [6001-7071-019](#) [6002-7051-003](#) [6002-7551-202](#) [6059674-1](#) [619550-1](#) [630059-000](#) [M39030/3-01N](#) [M3933/25-36N](#) [6500-7071-046](#) [6769](#) [CX050L2AQ](#) [7002-1542-011](#) [7004-1512-000](#) [7009-1511-004](#) [7010-1511-000](#) [7029-1511-060](#) [7101-1541-010](#) [7101-1571-002](#) [7105-1521-002](#) [7145-1521-002](#) [7203-1571-003](#) [7209-1511-011](#) [7210-1511-015](#) [7210-1511-019](#) [73137-5015](#) [73216-2241](#) [7325-1512-000](#) [73404-2300](#) [7405-1521-005](#) [7405-1521-802](#) [7406-1521-005](#) [8527](#) [8547](#) [FS11V](#) [8808-1511-001](#) [9049-9513-000](#) [9074-9513-000](#) [9101-9573-002](#) [910A205F](#) [9130-9573-002](#) [PL11SC-026](#) [PL375-33](#) [PL40-5](#) [PL71-9](#) [PL74C-221](#) [PL75MC-217](#) [PL803-7](#) [980-8666-005](#)