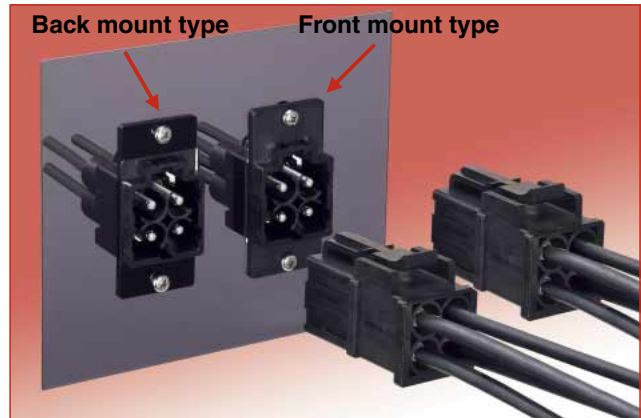


# High Current, Plastic Power Supply Connectors

## EM Series



### ■ Features

#### 1. 4-positions with high current capability (three-phase power supply and ground)

- Rated current of 50A per contact (50A/3contacts) with AWG#8 or corresponding wire.
  - Rated current of 30A per contact (90A/3contacts) with AWG#10 or corresponding wire.
- (Please refer to the charts below concerning the relation between ambient temperature and working current value.)

#### 2. Easy crimp termination

Crimp termination provides easy and stable termination process.

#### 3. Standard tooling available

Terminals can be crimped with a standard tool in accordance with JIS C 9711.

#### 4. Sequenced mating

Ground terminal makes contact first before power terminals touch.

#### 5. Snap-in lock is easy to operate

Lock operation can be done by simply snapping the plug to the receptacle.

#### 6. Attachment Styles

- DIN rail attachment type
- Snap-on attachment to 35 mm width DIN rail.
- Panel attachment type
- Both front and back mounting applicable.

#### 7. Ten keying combinations possible

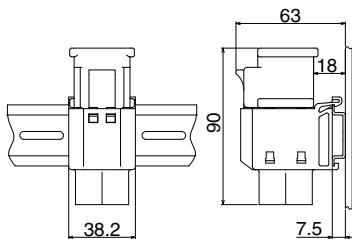
Guide keys prevent incorrect insertions when multiple connectors are used together at the same time.

#### 8. Meets approved safety standards

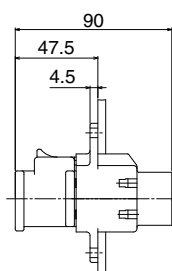
TÜV, UL certified.

#### Mated dimensions

(Mounted and mated dimensions on DIN rail)

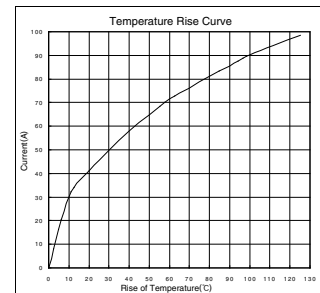
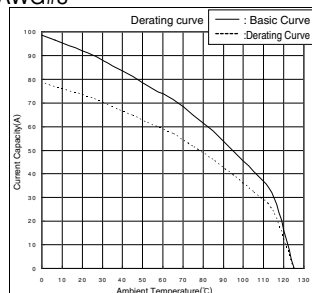


(Mounted and Mated dimensions on panel)



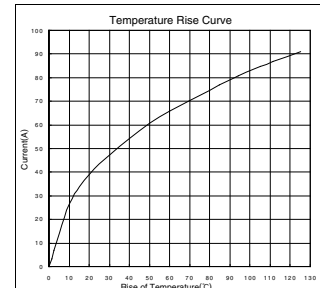
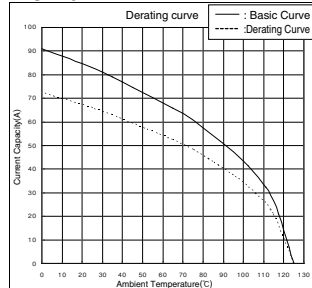
#### Derating curve

AWG#8



(Note 1) Derating curve is a curve that is obtained by multiplying the current value of the basic curve by derating factor of 0.8.

AWG#10



(Note 1) Derating curve is a curve that is obtained by multiplying the current value of the basic curve by derating factor of 0.8.

## Product Specifications

Rating	Current rating	50A and 30A (Refer to charts on page 1)	Operating temperature range	-40 to +125°C
	Voltage rating	AC 500V and DC 500V	Storage temperature range	-10 to +60°C

Item	Specification	Condition
1. Contact resistance	1mΩ max.	Measured at DC 1A
2. Insulation resistance	5000MΩ min.	Measured at DC 500V
3. Withstanding voltage	No flashover and insulation breakdown	AC 4260V for one minute
4. Vibration resistance	No electrical discontinuity of 10 μs or more	10→50→10Hz/cycle, single amplitude of 0.75mm, five minutes/cycle, three directions, 10 cycles for each direction
5. Shock resistance	No electrical discontinuity of 10 μs or more	Acceleration of 490m/s <sup>2</sup> , duration of 11ms, three directions, three times for each direction
6. Durability	Contact resistance: 1mΩ max.	100 cycles
7. Temperature cycle	Insulation resistance: 5000MΩ min.	-55°C for 30 minutes → room temperature for 2 to 3 minutes → +125°C for 30 minutes → room temperature for 2 to 3 minutes, 5 cycles
8. Humidity resistance (Normal condition)	Insulation resistance: 50MΩ min. (at high humidity condition) 500MΩ min. (at dry condition)	Exposed for 96 hours at the temperature of 40°C and the humidity of 90 to 95%

## Material

Item	Material	Finish	Remarks
Insulation	PBT resin	—	UL94V-0
Contact	Copper alloy	Tin plated (Nickel under plating)	—

## Ordering information

### ● Connector

**EM 35 M P - 4 S C (\*\*)**

① ② ③ ④ ⑤ ⑥ ⑦ ⑧

### ● Guide key

**EM - GK (\*\*)**

① ④ ⑧

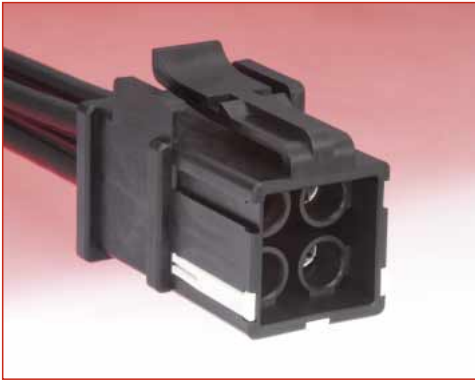
### ● Crimp terminal

**EM - S C - 1 4 3 (\*\*)**

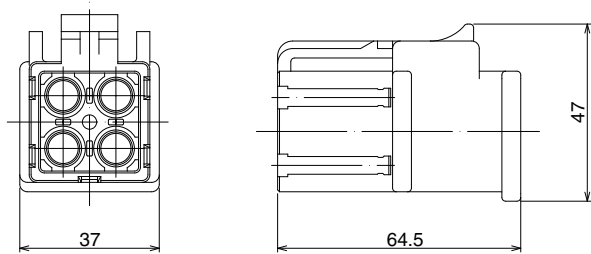
① ⑥ ⑦ ⑨ ⑩ ⑪ ⑧

① Series name: EM	⑦ Type of termination: C = Crimp
② Shell size: 35	⑧ This position will be used to indicate changes or variations to the product. When needed, there will be a 2 digit number within the parentheses. This number will correspond to specific changes and/or variations with the part.
③ Specialty: M=Mold type(Plastic type)	
④ Connector type: P= Plug R= Receptacle (DIN rail attachment type) RA= Receptacle (Panel attachment type) GK= Guide key	⑨ Terminal shape: 1= Loose piece terminal
	⑩ Shape modification: Design variation in the same size terminal is indicated with serial numbers starting from 1.
	⑪ Plating: 3 = Tin plated

### ■ Plug



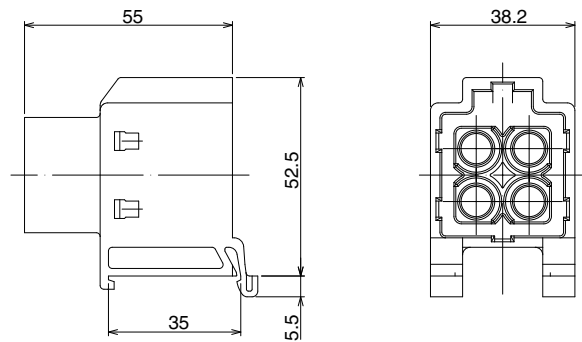
Part No.	HRS No.	Packaging
EM35MP-4SC	138-0020-9	1
EM35MP-4PC	138-0021-1	



### ■ Receptacle(DIN rail attachment type)



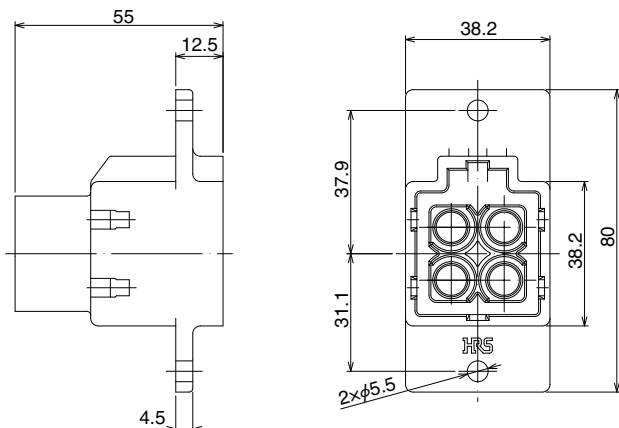
Part No.	HRS No.	Packaging
EM35MR-4PC	138-0022-4	1
EM35MR-4SC	138-0023-7	



### ■ Receptacle(Panel attachment type)



Part No.	HRS No.	Packaging
EM35MRA-4PC	138-0028-0	1

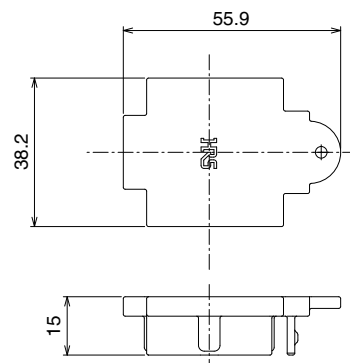


### ■ Cap

● For receptacle

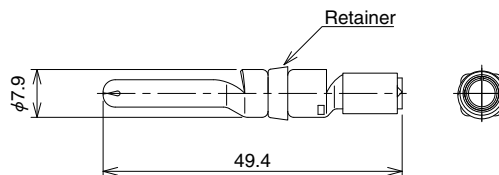


Part No.	HRS No.	Applicable connector	Packaging
EM35MR-C	138-0029-3	EM35MR-4PC	1
		EM35MR-4SC	
		EM35MRA-4PC	



## ■ Crimp terminals

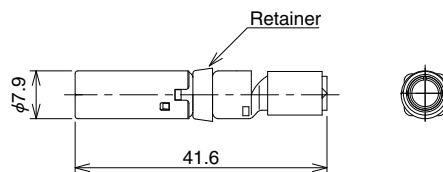
### ◆ Male terminals



Type	Part No.	HRS No.	Applicable wire	Remarks
Loose piece terminals	EM-PC-113(01)	138-0011-8 01	(1) Cross sectional area of conductor: 5.26 to 5.57mm <sup>2</sup> (corresponding to AWG#10) (2) Outside diameter of conductor: $\phi$ 3.1 max. (3) Outside diameter of jacket: $\phi$ 8.7 max. (Wire needs to meet all the specifications listed in 1, 2 and 3.)	Retainer: black
	EM-PC-133	138-0019-0	(1) Cross sectional area of conductor: 8mm <sup>2</sup> (2) Outside diameter of conductor: $\phi$ 3.7 max. (3) Outside diameter of jacket: $\phi$ 8.7 max. (Wire needs to meet all the specifications listed in 1, 2 and 3.)	Retainer: white
	EM-PC-143(01)	138-0025-2 01	(1) Cross sectional area of conductor: 8.44 to 8.92mm <sup>2</sup> (corresponding to AWG#8) (2) Outside diameter of conductor: $\phi$ 4.4 max. (3) Outside diameter of jacket: $\phi$ 11.5 max. (Wire needs to meet all the specifications listed in 1, 2 and 3.)	Retainer: purple

Note: 4 pcs/pack

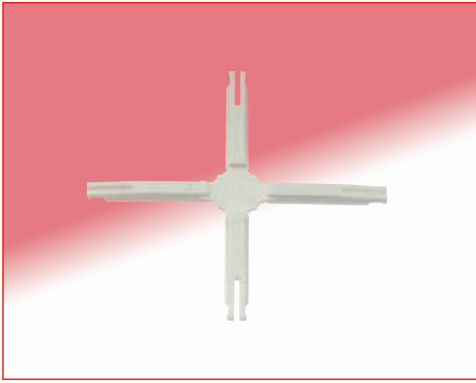
### ◆ Female terminals



Type	Part No.	HRS No.	Applicable wire	Remarks
Loose piece terminals	EM-SC-113(01)	138-0010-5 01	(1) Cross sectional area of conductor: 5.26 to 5.57mm <sup>2</sup> (corresponding to AWG#10) (2) Outside diameter of conductor: $\phi$ 3.1 max. (3) Outside diameter of jacket: $\phi$ 8.7 max. (Wire needs to meet all the specifications listed in 1, 2 and 3.)	Retainer: black
	EM-SC-133	138-0018-7	(1) Cross sectional area of conductor: 8mm <sup>2</sup> (2) Outside diameter of conductor: $\phi$ 3.7 max. (3) Outside diameter of jacket: $\phi$ 8.7 max. (Wire needs to meet all the specifications listed in 1, 2 and 3.)	Retainer: white
	EM-SC-143(01)	138-0024-0 01	(1) Cross sectional area of conductor: 8.44 to 8.92mm <sup>2</sup> (corresponding to AWG#8) (2) Outside diameter of conductor: $\phi$ 4.4 max. (3) Outside diameter of jacket: $\phi$ 11.5 max. (Wire needs to meet all the specifications listed in 1, 2 and 3.)	Retainer: purple

Note: 4 pcs/pack

### ◆ Coding key



Part No.	HRS No.
EM-GK	138-0026-5

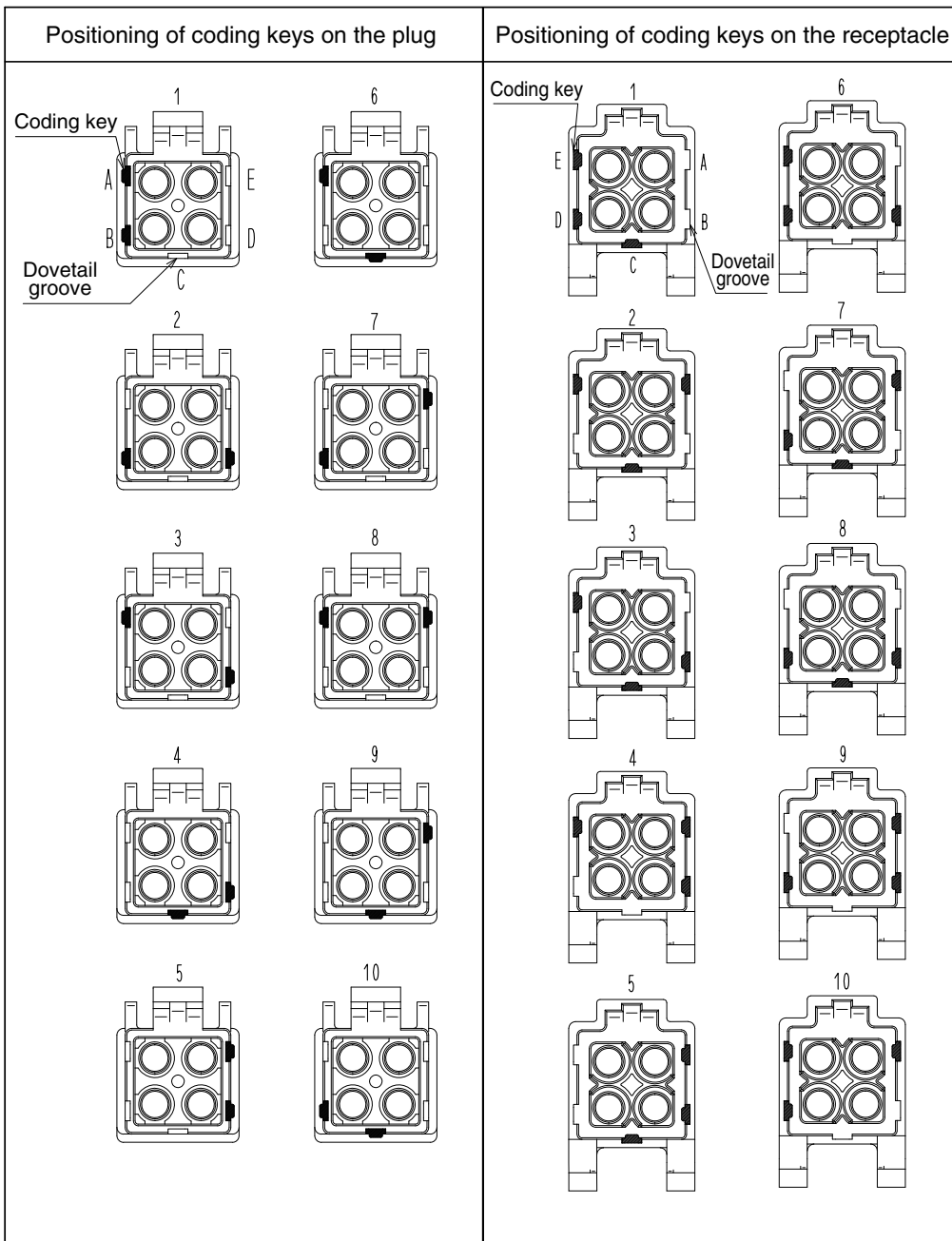
Note: 25 pcs/pack  
Each sprue holds 4 coding keys and yields a total of 100 coding keys.

Coding keys are used to create keying combinations to prevent incorrect insertion. This is especially useful when multiple parts are being used together. Coding keys need to be installed on both the plug and receptacle when creating specific combinations.

Please contact a Hirose representative for details and proper use of coding keys.

### ◆ Coding key combination table

(Using two coding keys on the plug and three on the receptacle can make up to ten different combinations.)



◆ **Tools**

Type	Part No.	HRS No.	Applicable terminal
Manual crimping tool	Note 1	—	EM-PC-113 (01) , EM-SC-113 (01) EM-PC-133 , EM-SC-133 EM-PC-143 (01) , EM-SC-143 (01)
Contact extraction tool	EM-8-TP	150-0249-3	EM-PC-113 (01) , EM-SC-113 (01) EM-PC-133 , EM-SC-133 EM-PC-143 (01) , EM-SC-143 (01)

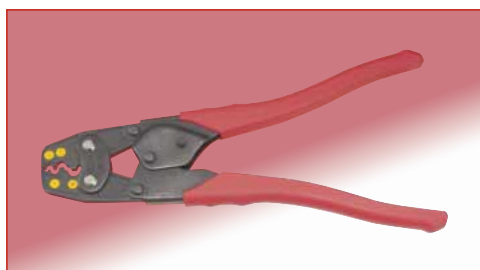
(Note 1) About manual crimping tools:

An applicable tool is a commercially available tool conforming to the JIS C 9711 standard “Termination tools for wire connector of interior wiring”. Only use the recommended tools noted below.

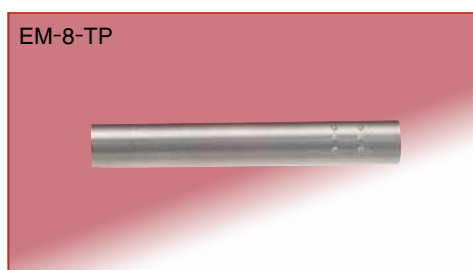
**Recommended crimping tools**

Tool manufacturer	Part No.
HOZAN TOOL INDUSTRIAL CO., LTD.	P-75
LOBTEX Co., Ltd.	AK15A
NICHIFU TERMINAL INDUSTRIES Co., Ltd.	NH1

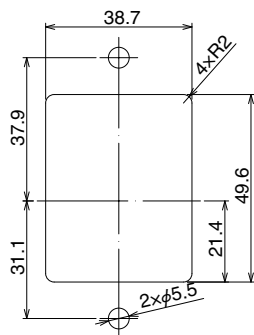
● **Manual crimping tool (Example)**



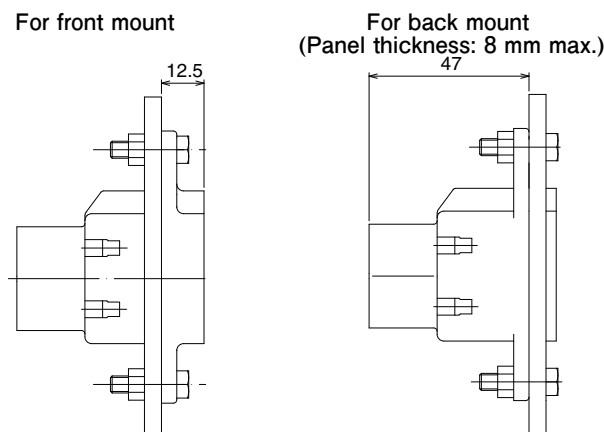
● **Contact extraction tool**



◆ **Panel cut out dimensions**



◆ **Panel attachment dimensions**



◆ **Precautions when using the EM series connectors**

1. Switch off the power before mating or un-mating the connectors.
2. Do not touch the terminal portion when the connector is energized. Doing so is potentially dangerous and can lead to injury.
3. Please contact a Hirose representative for harness work procedures and instruction manuals.



**HIROSE ELECTRIC CO.,LTD.**

2-6-3,Nakagawa Chuoh,Tsuzuki-Ku,Yokohama-Shi 224-8540,JAPAN  
 TEL: +81-45-620-3526 Fax: +81-45-591-3726  
<http://www.hirose.com>  
<http://www.hirose-connectors.com>

## X-ON Electronics

Largest Supplier of Electrical and Electronic Components

*Click to view similar products for [Heavy Duty Power Connectors](#) category:*

*Click to view products by [Hirose](#) manufacturer:*

Other Similar products are found below :

[647757-1](#) [6643411-1](#) [6646058-2](#) [6646137-1](#) [6646138-1](#) [6646479-1](#) [6646608-1](#) [6646786-1](#) [6646940-1](#) [6651091-1](#) [6651525-1](#) [6651529-1](#)  
[6651788-1](#) [696475-1](#) [73000005059](#) [73000005642](#) [765-15-0080A](#) [765-16-0080B](#) [829992-1](#) [902-77-02113](#) [129-1J](#) [AN0024023](#) [E6374G1](#)  
[e6389g2](#) [157-43GW8](#) [MS3117-14AC](#) [1643543-1](#) [1650540-1](#) [1651811-2](#) [1766260-1](#) [1766282-1](#) [1766966-1](#) [1791340000](#) [NLDFT-3-BL-L-](#)  
[S120-M40A](#) [NLDFT-N-W-L-C240-M40B](#) [NLS-2-R-C240-M40B](#) [NLS-N-W-C240-M40B](#) [NPS-3-BL-T6](#) [1986615-1](#) [2-1589900-8](#) [2199314-1](#)  
[KA8102](#) [9300480317](#) [SBS50BRN#6](#) [29131](#) [29652](#) [1646905-1](#) [1648320-1](#) [1648582-1](#) [1650195-2](#)