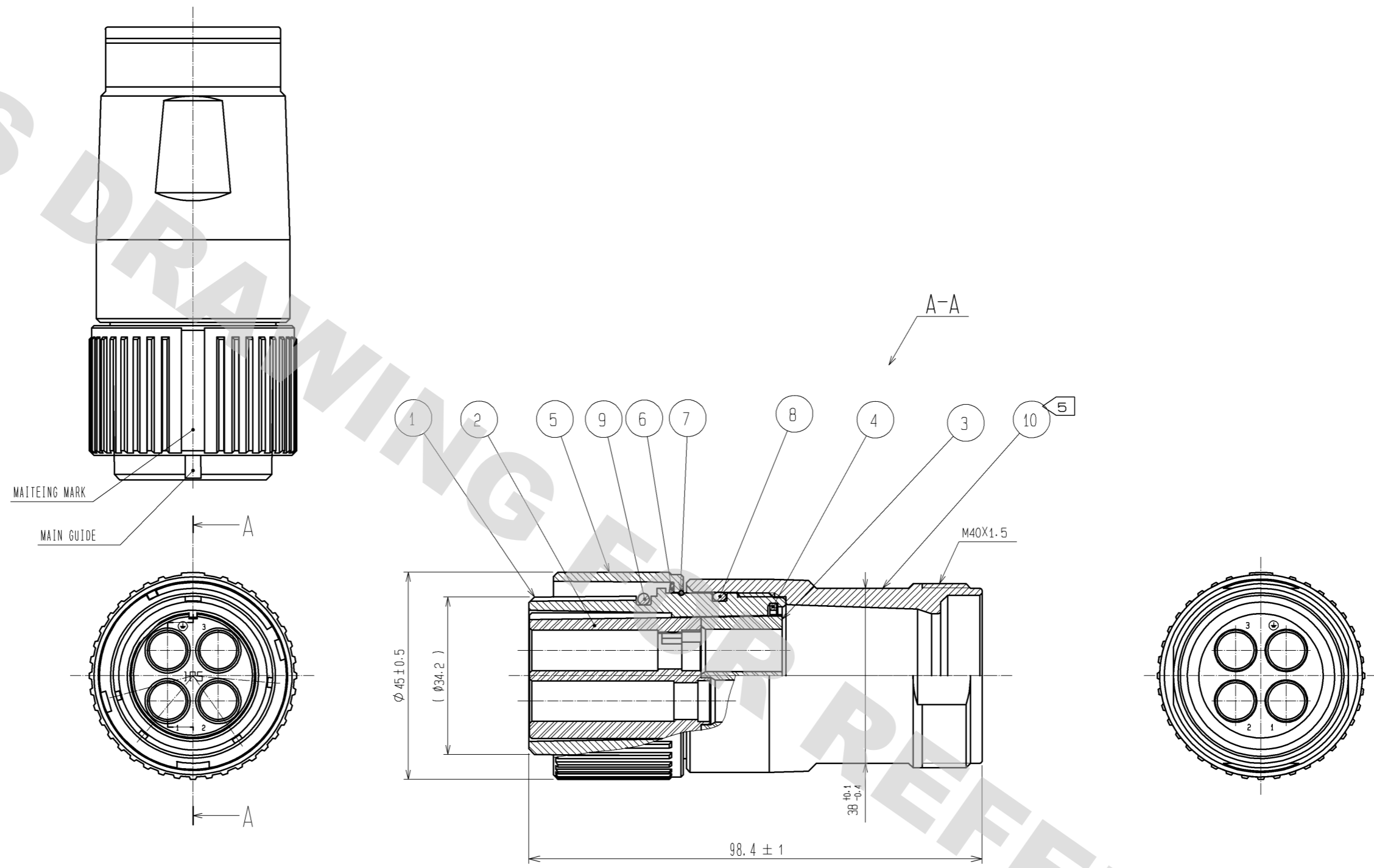


DRAWING FOR REFERENCE: This is subject to change without notice
08/11/2012



- △ NOTES
- 1 APPLICABLE CRIMPING CONTACT: EM-SC-133 (CL138-0018-7)
 - 2 APPLICABLE CRIMP CONTACT EXTRACTION TOOL: EM-8-TP (CL150-0249-3)
 - 3 APPLICABLE CABLE CLAMP: EM35WCC-※
※SHOWS THE APPLICABLE CABLE DIAMETER.
 - 4 THE ASSEMBLY OF THIS PRODUCT APPLIES TO THE MANUAL ATAD-C0155.
 - 5 THE RECOMMENDED TIGHTENING TORQUE, ADHESIVE FOR SCREW PORTION OF REF. NO. ④ AS FOLLOWINGS.
THE ADHESIVE SHOULD BE ATTACHED ON THE SCREW PORTION OF REF. NO. ④
TIGHTENING TORQUE: 6 TO 7 N·m.
ADHESIVE: LOCTITE 242 MADE BY HENKEL JAPAN LTD.
 - 6 ROTATION EXAMPLES ARE SHOWN FOR REF. NO. ①, ②, AND ③.

NO.	MATERIAL	FINISH . REMARKS	NO.	MATERIAL	FINISH . REMARKS
5	ALUMINUM ALLOY	NICKEL PLATING	10	ALUMINUM ALLOY	NICKEL PLATING
4	STAINLESS STEEL		9	SILICONE RUBBER	(RED)
3	PBT	(BLACK) UL94V-0	8	SILICONE RUBBER	(RED)
2	PBT	(BLACK) UL94V-0	7	STAINLESS STEEL	
1	ALUMINUM ALLOY	NICKEL PLATING	6	STAINLESS STEEL	

UNITS	SCALE	COUNT	DESCRIPTION OF REVISIONS	DESIGNED	CHECKED	DATE
mm	1 : 1	1	DIS-C-001463	HS. NAGANO	HY. KOBAYASHI	09. 10. 30
APPROVED : SU. OBARA 09. 10. 05			DRAWING NO. EDC3-115596-00			
CHECKED : HY. KOBAYASHI 09. 10. 05			PART NO. EM35WBP-4SC			
DESIGNED : HS. NAGANO 09. 10. 02			CODE NO. CL138-0008-3-00			
DRAWN : HS. NAGANO 09. 10. 02						

X-ON Electronics

Largest Supplier of Electrical and Electronic Components

Click to view similar products for [Standard Circular Connector](#) category:

Click to view products by [Hirose](#) manufacturer:

Other Similar products are found below :

[5M2530B10P](#) [600259N006](#) [600273N007](#) [6134-336-13149](#) [6134-337-11149](#) [6134-337-2390](#) [6134-341-17149](#) [6280-4SG-516](#) [6280-7SG-3DC](#)
[6290](#) [6291A](#) [66200A-10](#) [680-SMG](#) [681-PMG](#) [CXS3102A14S2P](#) [CXS3102A181S](#) [7251-6SG-300](#) [7271-6SG-300](#) [7282-3PG-300-CH3](#) [75-](#)
[474014-05S](#) [75-474618-01S](#) [75-474618-04S](#) [799539-000](#) [MI8-SE](#) [805-005-07NF11-19PC](#) [805-005-07NF15-7PA](#) [8280-4PG-516](#) [8280-7PG-](#)
[519](#) [8282-5PG-519](#) [836783-1](#) [MP-4102-25P-C](#) [862256-1](#) [864019-2](#) [866857-1](#) [867865-1](#) [PT01SP-14-18P](#) [PT08P-14-5S](#) [PTSF06SE-14-12S](#)
[120-1833-000](#) [QCM019PC2DC012B](#) [1-2069279-1](#) [121583-0217](#) [121667-0020](#) [129591AU](#) [1000B BULK](#) [RD10A16-19-P6CS051/1](#)
[RD10A20-31-P8CS051/1](#) [RD16A14-12-S6CS051/2](#) [1301240290](#) [1301240347](#) [1301860202](#)