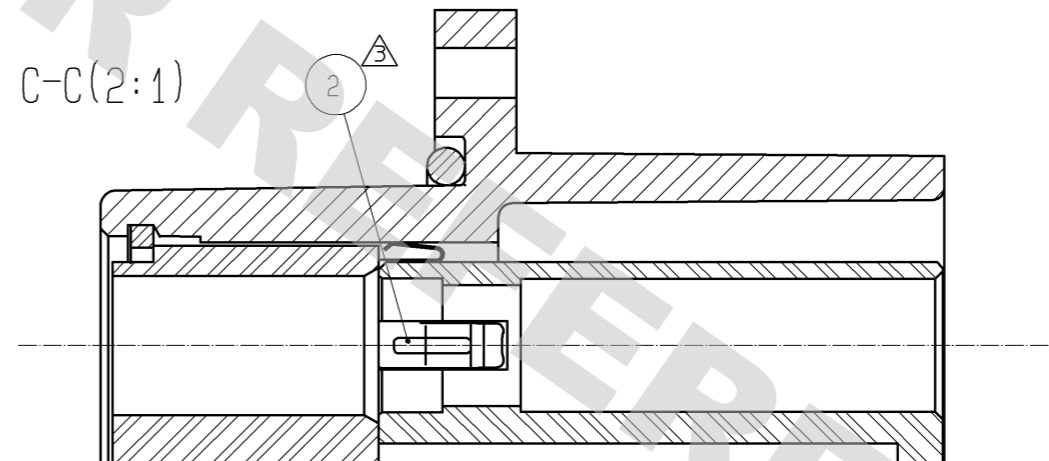
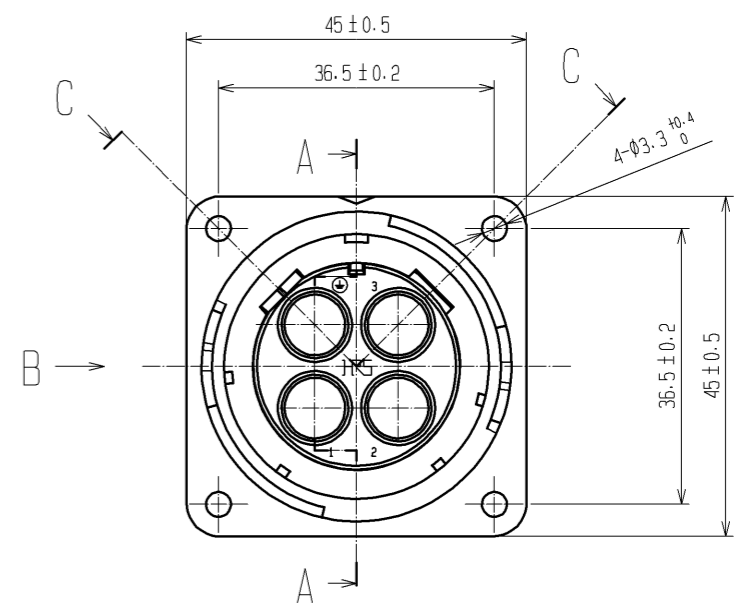
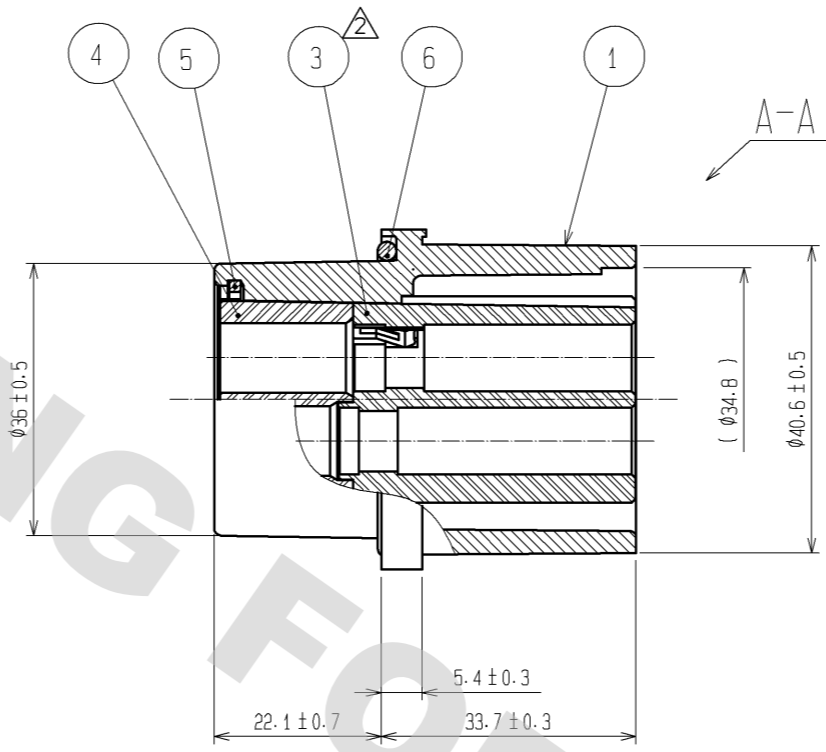
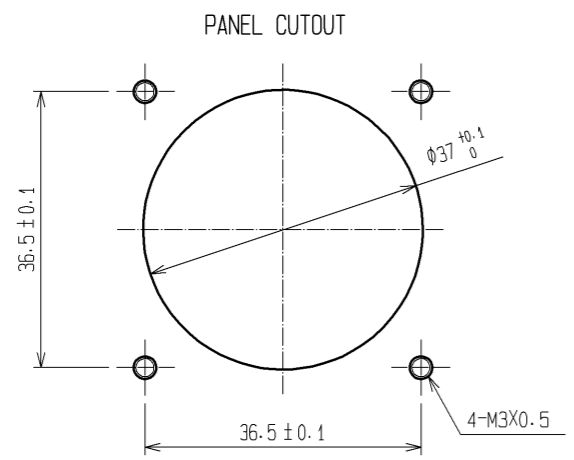
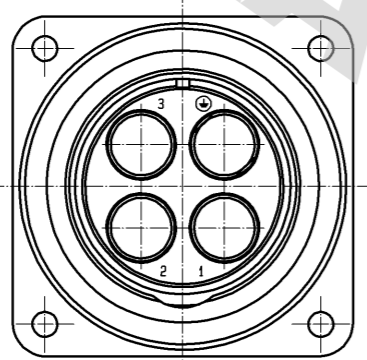
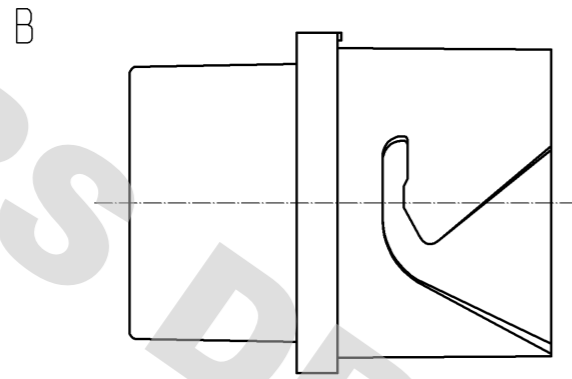


DRAWING FOR REFERENCE: This is subject to change without notice  
08/11/2012



- NOTES: 1 APPLICABLE CRIMPING CONTACT: EM-SC-133 (CL138-0018-7)  
 2 APPLICABLE CRIMP CONTACT EXTRACTION TOOL: EM-8-TP (CL150-0249-3)  
 3 THE ASSEMBLY OF THIS PRODUCT APPLIES TO THE MANUAL ATAD-C0155.  
 4 CHECK REF. NO. ⑥ IS PROPERLY SET AT THE GROOVE OF REF. NO. ①.  
 WHILE MOUNTING THE CONNECTOR, MAKE SURE THAT REF. NO. ⑥ IS NOT CAUGHT.

3	PBT	(BLACK) UL94V-0	6	SILICONE RUBBER	(RED)
2	COPPER ALLOY	TIN PLATING	5	STAINLESS STEEL	
1	ALUMINUM ALLOY	NICKEL PLATING	4	PBT	(BLACK) UL94V-0
NO.	MATERIAL	FINISH . REMARKS	NO.	MATERIAL	FINISH . REMARKS
UNITS	mm	SCALE	1 : 1	COUNT	1
DESCRIPTION OF REVISIONS			DESIGNED	CHECKED	DATE
DIS-C-001430			HS. NAGANO	HY. KOBAYASHI	09.10.05
APPROVED : MO. SATOH			07.11.16	DRAWING NO. EDC3-115775-00	
CHECKED : EJ. KUNII			07.11.16	PART NO. EM35WBR-4SC	
DESIGNED : HS. NAGANO			07.11.15	CODE NO. CL138-0014-6-00	
DRAWN : HS. NAGANO			07.11.15	④ 1/1	

## X-ON Electronics

Largest Supplier of Electrical and Electronic Components

*Click to view similar products for [Standard Circular Connector](#) category:*

*Click to view products by [Hirose](#) manufacturer:*

Other Similar products are found below :

[5M2530B10P](#) [600259N006](#) [600273N007](#) [6134-336-13149](#) [6134-337-11149](#) [6134-337-2390](#) [6134-341-17149](#) [6280-4SG-516](#) [6280-7SG-3DC](#)  
[6290](#) [6291A](#) [66200A-10](#) [680-SMG](#) [681-PMG](#) [CXS3102A14S2P](#) [CXS3102A181S](#) [7251-6SG-300](#) [7271-6SG-300](#) [7282-3PG-300-CH3](#) [75-](#)  
[474014-05S](#) [75-474618-01S](#) [75-474618-04P](#) [75-474618-04S](#) [799539-000](#) [MI8-SE](#) [805-005-07NF11-19PC](#) [805-005-07NF15-7PA](#) [8280-4PG-](#)  
[516](#) [8280-7PG-519](#) [8282-5PG-519](#) [836783-1](#) [MP-4102-25P-C](#) [862256-1](#) [864019-2](#) [866857-1](#) [867865-1](#) [PT01SP-14-18P](#) [PT08P-14-5S](#) [120-](#)  
[1833-000](#) [QCM019PC2DC012B](#) [1-2069279-1](#) [121583-0217](#) [121667-0020](#) [129591AU](#) [1000B BULK](#) [RD10A16-19-P6CS051/1](#) [RD10A20-31-](#)  
[P8CS051/1](#) [RD16A14-12-S6CS051/2](#) [1301240290](#) [1301240347](#) [1301860202](#)