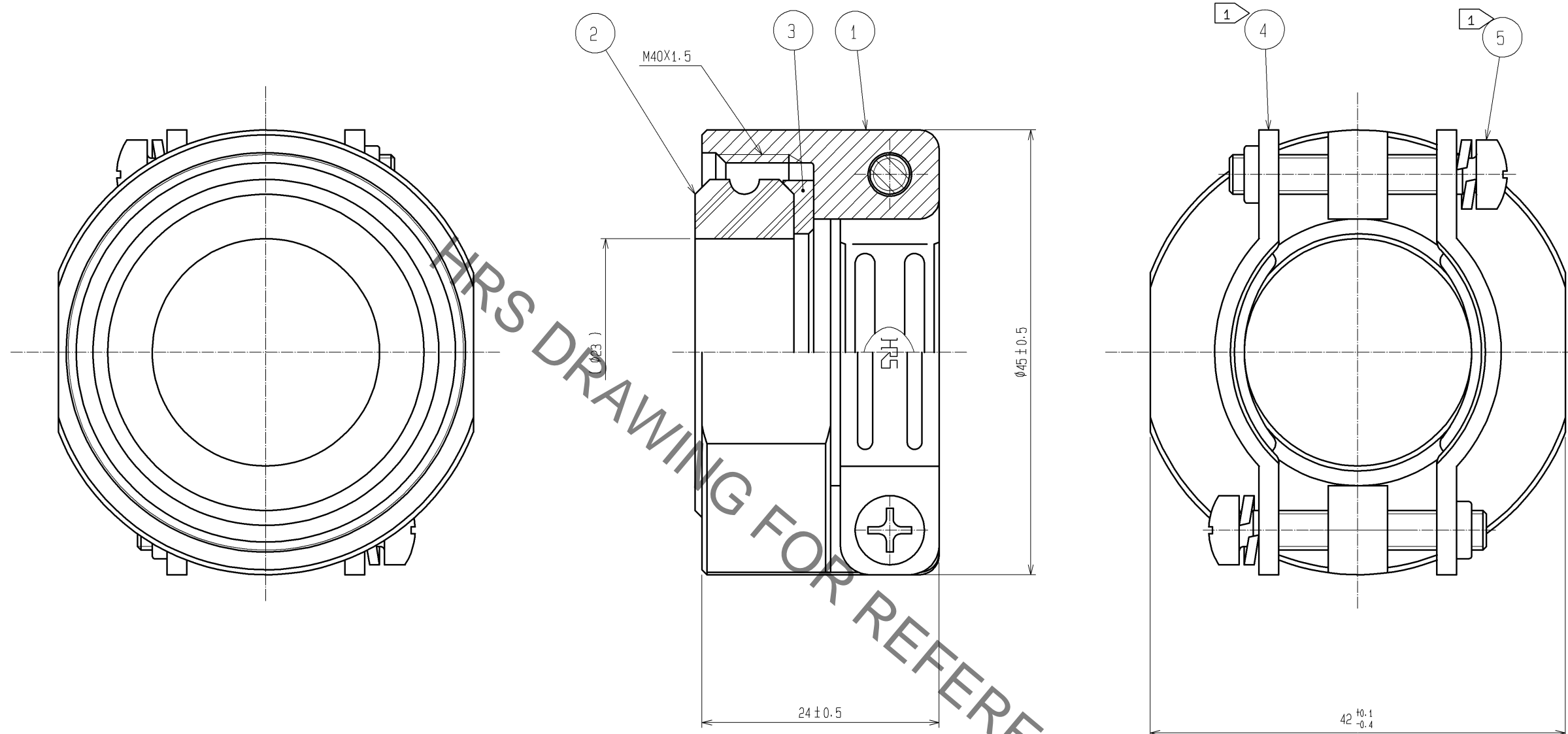


Jun.1.2021 Copyright 2021 HIROSE ELECTRIC CO., LTD. All Rights Reserved.
In case of consideration for using Automotive equipment / device which demand high reliability, kindly contact our sales window correspondents.



HRS DRAWING FOR REFERENCE

- NOTES
- ① THE RECOMMENDED TIGHTENING TORQUE REF NO. ① : 6 TO 7 N · m.
THE RECOMMENDED TIGHTENING TORQUE REF NO. ⑤ : 1.2 TO 1.5 N · m.
THE RECOMMENDED ADHESIVE OF REF NO. ① : LOCTITE 242 BY HENKEL JAPAN LTD.
 - ② WATER RESISTANCE, CABLE CLAMP FORCE, CABLE RETENTION FORCE IN AXIAL DIRECTION AND OTHER CHARACTERISTICS COULD VARY DEPENDING ON EACH CABLE CONSTRUCTION. CONFIRMATION IS REQUIRED PRIOR TO USE.
 - ③ THIS PRODUCT IS DELIVERED DISASSEMBLED.

3	POLYACETAL	(WHITE)					
2	SILICONE RUBBER	(BLACK)	5	STAINLESS STEEL			
1	ALUMINUM ALLOY	NIKEL PLATING	4	STAINLESS STEEL			
NO.	MATERIAL	FINISH . REMARKS	NO.	MATERIAL	FINISH . REMARKS		
UNITS mm		SCALE 2 : 1	COUNT \triangle	DESCRIPTION OF REVISIONS	DESIGNED	CHECKED	DATE
HRS HIROSE ELECTRIC CO., LTD.		APPROVED : SU. OBARA	09.10.20	DRAWING NO.	EDC3-115589-00		
		CHECKED : HY. KOBAYASHI	09.10.19	PART NO.	EM35WCC-23		
		DESIGNED : HS. NAGANO	09.10.19	CODE NO.	CL138-0007-0-00		
		DRAWN : HS. NAGANO	09.10.19		\triangle 1/1		

X-ON Electronics

Largest Supplier of Electrical and Electronic Components

Click to view similar products for [Standard Circular Connector](#) category:

Click to view products by [Hirose](#) manufacturer:

Other Similar products are found below :

[5M2530B10P](#) [600259N006](#) [600273N007](#) [6134-336-13149](#) [6134-337-11149](#) [6134-337-2390](#) [6134-341-17149](#) [6280-4SG-516](#) [6280-7SG-3DC](#)
[6290](#) [6291A](#) [66200A-10](#) [680-SMG](#) [681-PMG](#) [CXS3102A14S2P](#) [CXS3102A181S](#) [7251-6SG-300](#) [7271-6SG-300](#) [7282-3PG-300-CH3](#) [75-](#)
[474014-05S](#) [75-474618-01S](#) [75-474618-04P](#) [75-474618-04S](#) [799539-000](#) [MI8-SE](#) [805-005-07NF11-19PC](#) [805-005-07NF15-7PA](#) [8280-4PG-](#)
[516](#) [8280-7PG-519](#) [8282-5PG-519](#) [836783-1](#) [MP-4102-25P-C](#) [862256-1](#) [864019-2](#) [866857-1](#) [867865-1](#) [PT01SP-14-18P](#) [PT08P-14-5S](#)
[PTSF06SE-14-12S](#) [120-1833-000](#) [QCM019PC2DC012B](#) [1-2069279-1](#) [121583-0217](#) [121667-0020](#) [129591AU](#) [1000B BULK](#) [RD10A16-19-](#)
[P6CS051/1](#) [RD10A20-31-P8CS051/1](#) [RD16A14-12-S6CS051/2](#) [1301240290](#) [1301240347](#)