

Dec.1.2019 Copyright 2019 HIROSE ELECTRIC CO., LTD. All Rights Reserved.
In case of consideration for using Automotive equipment / device which demand high reliability, kindly contact our sales window correspondents.

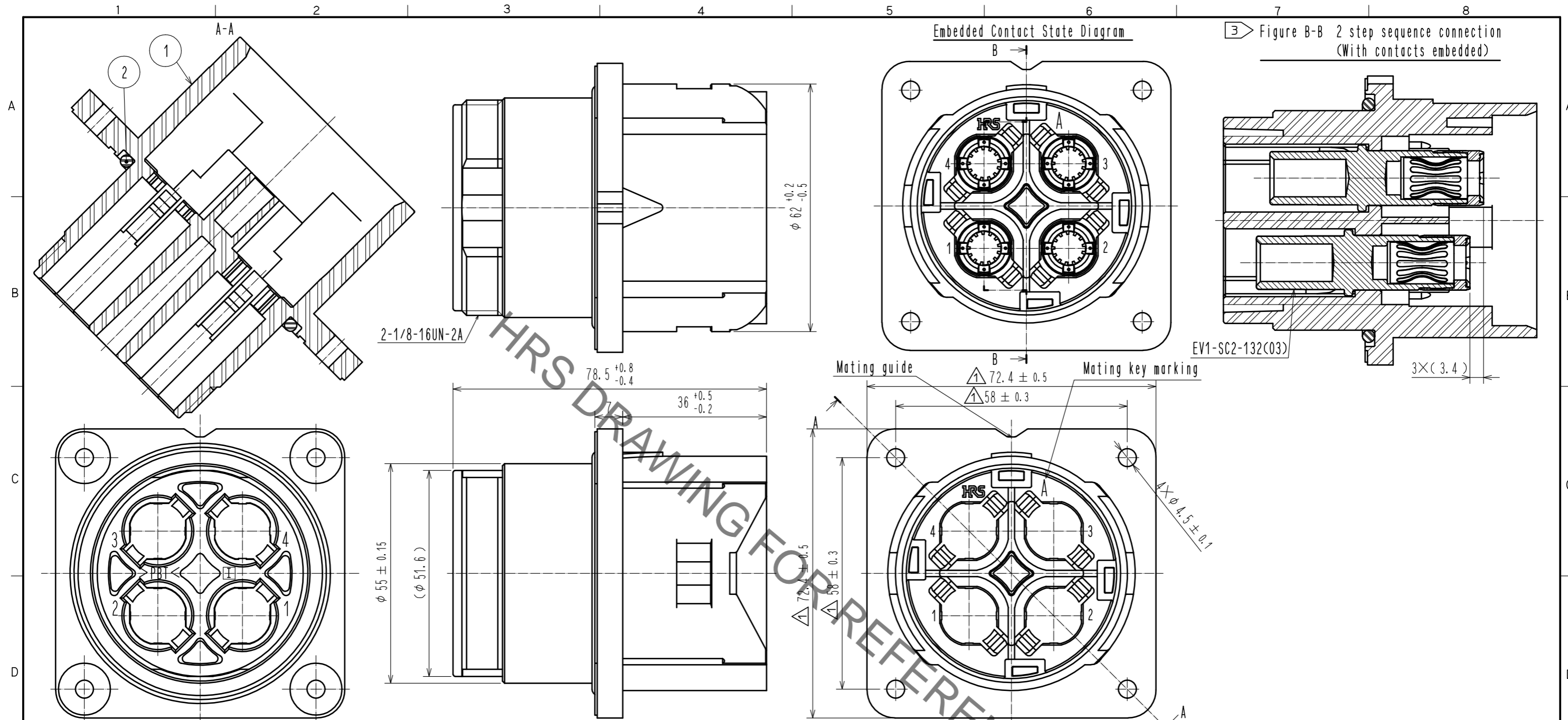
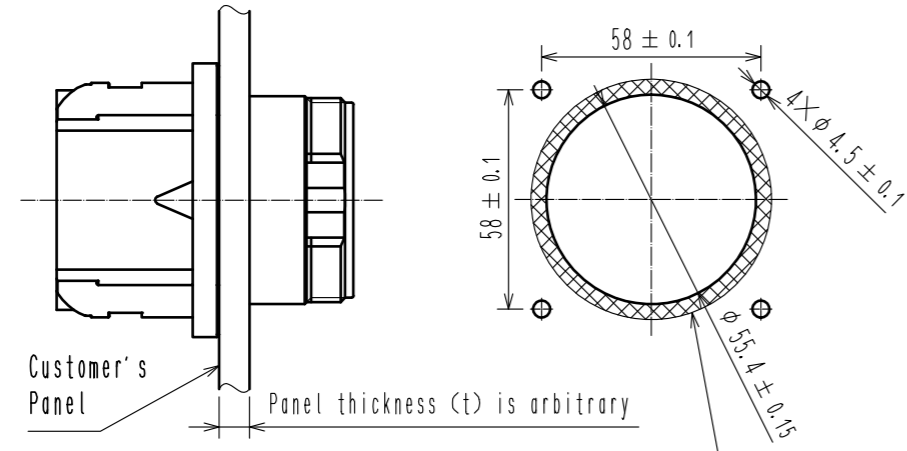


Figure 1 Recommended Panel Installation State Diagram - Dimensions(1:2)



The edge of the waterproof packing in contact with the installation area of the connector (the part) should be over 4.1mm and have a surface roughness of $\sqrt{Rz3.2}$.

- Notes
- 1 Applicable crimping contact: EV1-SC2-132(C03) (CL139-0012-7-03) (38mm contact)
EV1-SC2-112(C03) (CL139-0013-0-03) (22mm contact)
 - 2 Figure 1 shows the recommended installation state and the dimensions.
 - 3 The contacts are assembled in a 2 step connection sequence with contact No. 4 at one level and contacts No. 1, 2 and 3 at a different level.
 - 4 This product can be attached to the KEIGLAND E2KD 2836, E2KD 3236 as well the E2KD 3636 of SANKEI Co., Ltd. Recommended tightening torque: 5.0 to 7.0N·m
 - 5 When installing this product, make sure that Ref. No. ② is fitted into the groove of Ref. No. ①. Be careful that Ref. No. ② does not get stuck.
 - 6 Please assemble this product in coordination with the assembly manual ETAD-C0336 and ETAD-C0417.
 - 7 **WARNING** This product is not hot pluggable.
 - 8 Applicable crimp contact extracting tool: EM52M-SC-TP(CL150-0262-1-00).

1	Polybutylene terephthalate (Black) UL94V-0	2	Nitrile butadiene rubber (Black)
NO.	MATERIAL	FINISH . REMARKS	NO. MATERIAL FINISH . REMARKS
UNITS	mm	SCALE	1 : 1
COUNT	1	DESCRIPTION OF REVISIONS	DIS-C-00002393
DESIGNED	WR. AJIRO	CHECKED	TP. KOMATSU
DATE	18.06.19	DRAWING NO. EDC3-118665-00	
APPROVED : SU. OBARA 15.12.17		PART NO. EM52M-WBR-4SCA	
CHECKED : YH. YAMADA 15.12.17		CODE NO. CL138-0036-9-00	
DESIGNED : YS. SAKODA 15.12.17		1/1	
DRAWN : THOMAS FORAN 15.12.17			

X-ON Electronics

Largest Supplier of Electrical and Electronic Components

Click to view similar products for [Heavy Duty Power Connectors](#) category:

Click to view products by [Hirose](#) manufacturer:

Other Similar products are found below :

[6646058-2](#) [6646137-1](#) [6646138-1](#) [6646940-1](#) [6651091-1](#) [6651525-1](#) [6651529-1](#) [696475-1](#) [702-32-01109](#) [73080255059](#) [73080965046](#)
[7310205040001](#) [765-16-0080B](#) [765-18-0080D](#) [902-77-02113](#) [PS00/A0620/6300](#) [AN0024023](#) [154-42B7WM250](#) [MS3117-14AC](#) [1643543-1](#)
[1766966-1](#) [1791340000](#) [NLDFT-3-BL-L-S120-M40A](#) [NLDFT-N-W-L-C240-M40B](#) [1926015-1](#) [NLS-3-BL-C240-M40B](#) [NLS-N-W-C240-](#)
[M40B](#) [NPS-3-BL-T6](#) [2-1589900-8](#) [9300480317](#) [294-0091-01100](#) [296-0040-01100](#) [1-6609148-0](#) [A32595-0049](#) [1766249-1](#) [19000005132](#)
[1926016-1](#) [1-966831-8](#) [AN0024202](#) [AN0264023](#) [279-0841-10100A](#) [281-0334-00100A](#) [RMSB4](#) [419-2083-301](#) [LCDX4/0-14B-X](#) [075-8519-](#)
[001](#) [078238-1613](#) [07.470.3256.0](#) [09000005288](#) [09140240311](#)