

Aug.1.2021 Copyright 2021 HIROSE ELECTRIC CO., LTD. All Rights Reserved.  
In case of consideration for using Automotive equipment / device which demand high reliability, kindly contact our sales window correspondents.

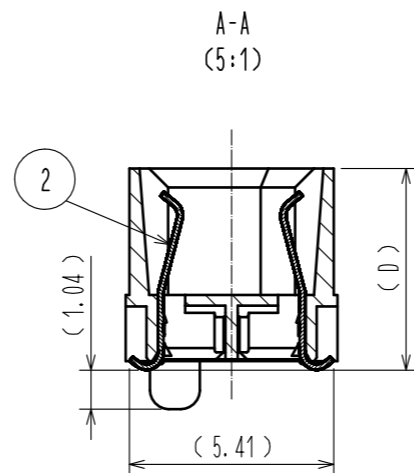


Fig.1 Recommended PCB Layout  
(All dimensions are symmetric about the centerline)

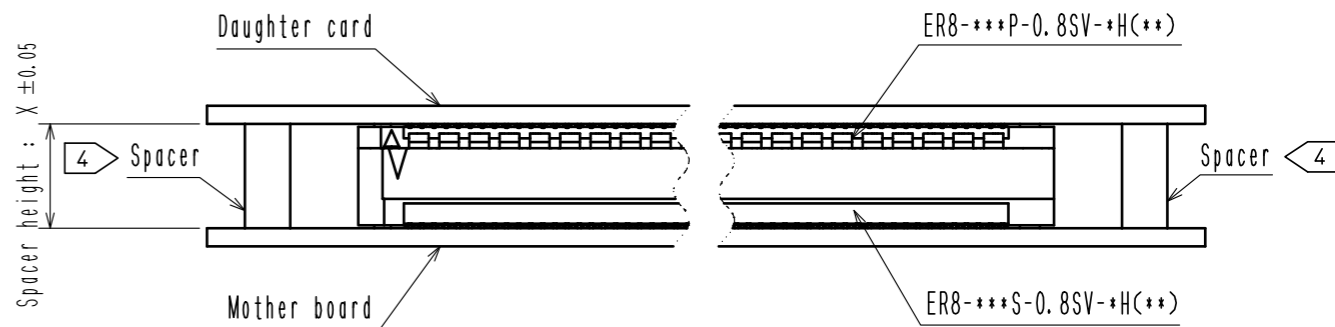
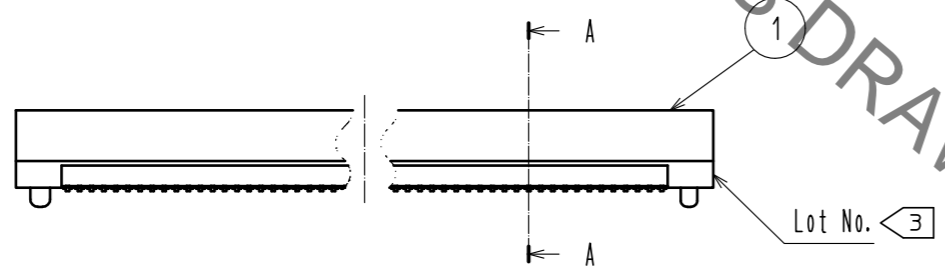
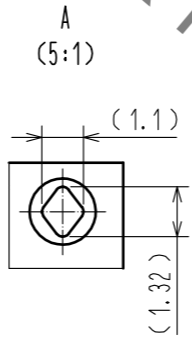
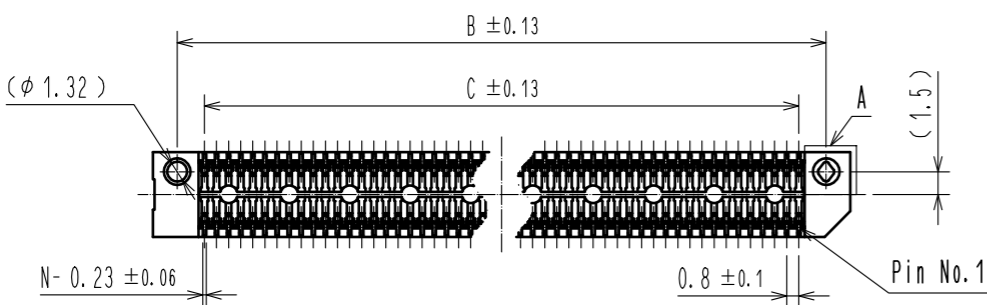


Fig.2 (Free)



- Note.
1. Dimensions in parentheses ( ) are for reference.
  2. Packaging for this product applies embossed carrier tape packaging. See sheet 2/3 and 3/3 for details.
  - 3 Lot No. shall be marked on the indicated position.
  - 4 The indicated mother board and daughter card shall be gastedo to the additional reinforcements to prevent the stress on ER8-\*\*\*P-0.8SV-+H(\*\*) and ER8-\*\*\*S-0.8SV-+H(\*\*).
  - 5 Plating specification are below.

Part No.	Plating specification
ER8-***S-0.8SV-+H	CONTACT AREA : Ni2.54 μm + Au0.76 μm
	LEAD AREA : Ni1.25 μm + Sn3.81 μm
ER8-***S-0.8SV-+H(10)	CONTACT AREA : Ni1.25 μm + Au0.25 μm
	LEAD AREA : Ni1.25 μm + Sn2.54 μm

Receptacle	Plug	Spacer height (X)
ER8-***S-0.8SV-5H(**)	ER8-***P-0.8SV-2H(**)	7.15
	ER8-***P-0.8SV-5H(**)	10.15
ER8-***S-0.8SV-7H(**)	ER8-***P-0.8SV-2H(**)	9.15
	ER8-***P-0.8SV-5H(**)	12.15

Table1 Spacer height △

NO.	MATERIAL	FINISH	REMARKS	NO.	MATERIAL	FINISH	REMARKS
3	POLYIMIDE		(TAPE FOR VACCUM PICK AND PLACE)	5	PE		(TOP COVER TAPE)
2	COPPER ALLOY	5		4	PS		(EMBOSSED CARRIER TAPE)
1	LCP		BLACK. UL94V-0				

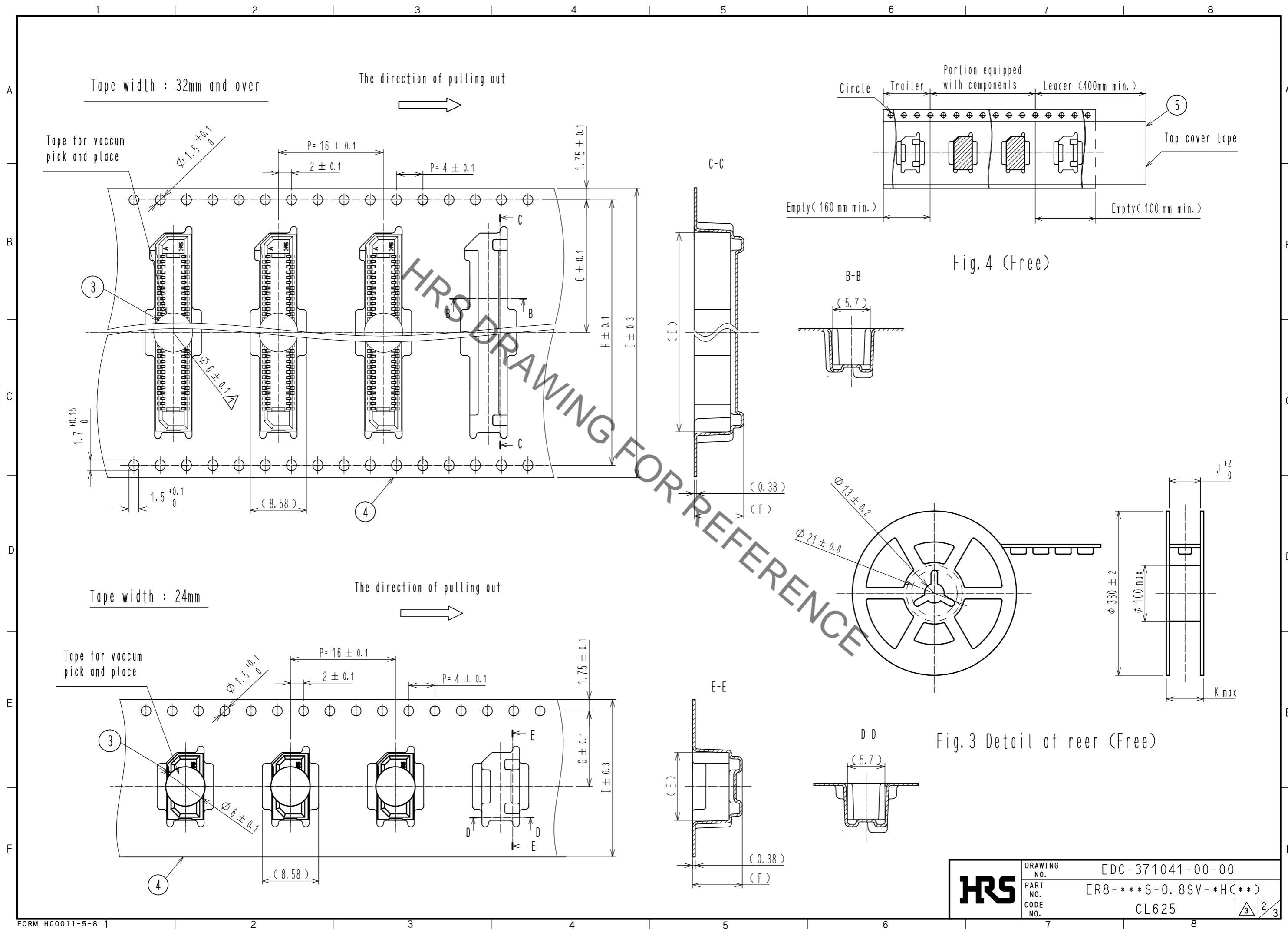
  

UNITS	SCALE	COUNT	DESCRIPTION OF REVISIONS	DESIGNED	CHECKED	DATE
mm	2 : 1	1	DIS-F-00006543	TF. SUGAWARA	NH. TAMAI	20200826

APPROVED	CHECKED	DESIGNED	DRAWN	DRAWING NO.	PART NO.	CODE NO.
MK. EZAKI	MK. NAGATA	TF. SUGAWARA	TF. SUGAWARA	EDC-371041-00-00	ER8-***S-0.8SV-+H(**)	CL625
20160620	20160620	20160620	20160620			

Aug.1.2021 Copyright 2021 HIROSE ELECTRIC CO., LTD. All Rights Reserved.  
 In case of consideration for using Automotive equipment / device which demand high reliability, kindly contact our sales window correspondents.



<b>HRS</b>	DRAWING NO.	EDC-371041-00-00
	PART NO.	ER8-***S-0.8SV-*H(**)
	CODE NO.	CL625
		2/3

Aug.1.2021 Copyright 2021 HIROSE ELECTRIC CO., LTD. All Rights Reserved.  
 In case of consideration for using Automotive equipment / device which demand high reliability, kindly contact our sales window correspondents.

Part No.	Code No.	Contact positions (N)	Dimensions											Co-planarity	Qty/reel
			A	B	C	D	E	F	G	H	I	J	K		
ER8-10S-0.8SV-5H(**)	CL625-0007-5-**-	10	10	6.8	3.2	5.335	10.3	7.55	11.5	-	24	24.4	30.4	0.1 Max	475
ER8-20S-0.8SV-5H(**)	CL625-0014-0-**-	20	14	10.8	7.2	5.335	14.3	7.55	14.2	28.4	32	32.4	38.4	0.1 Max	500
ER8-30S-0.8SV-5H(**)	CL625-0015-0-**-	30	18	14.8	11.2	5.335	18.3	7.55	20.2	40.4	44	44.4	50.4	0.1 Max	475
ER8-40S-0.8SV-5H(**)	CL625-0016-0-**-	40	22	18.8	15.2	5.335	22.3	7.55	20.2	40.4	44	44.4	50.4	0.1 Max	375
ER8-50S-0.8SV-5H(**)	CL625-0010-0-**-	50	26	22.8	19.2	5.335	26.3	7.55	20.2	40.4	44	44.4	50.4	0.1 Max	375
ER8-60S-0.8SV-5H(**)	CL625-0018-0-**-	60	30	26.8	23.2	5.335	30.3	7.55	20.2	40.4	44	44.4	50.4	0.1 Max	375
ER8-70S-0.8SV-5H(**)	CL625-0032-0-**-	70	34	30.8	27.2	5.335	34.3	7.55	26.2	52.4	56	56.4	62.4	0.12 Max	375
ER8-80S-0.8SV-5H(**)	CL625-0033-0-**-	80	38	34.8	31.2	5.335	38.3	7.55	26.2	52.4	56	56.4	62.4	0.12 Max	375
ER8-100S-0.8SV-5H(**)	CL625-0034-0-**-	100	46	42.8	39.2	5.335	46.3	7.55	34.2	68.4	72	72.4	89	0.12 Max	375
ER8-120S-0.8SV-5H(**)	CL625-0035-0-**-	120	54	50.8	47.2	5.335	54.3	7.55	34.2	68.4	72	72.4	89	0.12 Max	375
ER8-10S-0.8SV-7H(**)	CL625-0036-0-**-	10	10	6.8	3.2	7.25	10.3	9.45	11.5	-	24	24.4	30.4	0.1 Max	400
ER8-20S-0.8SV-7H(**)	CL625-0037-0-**-	20	14	10.8	7.2	7.25	14.3	9.45	14.2	28.4	32	32.4	38.4	0.1 Max	375
ER8-30S-0.8SV-7H(**)	CL625-0038-0-**-	30	18	14.8	11.2	7.25	18.3	9.45	20.2	40.4	44	44.4	50.4	0.1 Max	400
ER8-40S-0.8SV-7H(**)	CL625-0039-0-**-	40	22	18.8	15.2	7.25	22.3	9.45	20.2	40.4	44	44.4	50.4	0.1 Max	300
ER8-50S-0.8SV-7H(**)	CL625-0040-0-**-	50	26	22.8	19.2	7.25	26.3	9.45	20.2	40.4	44	44.4	50.4	0.1 Max	300
ER8-60S-0.8SV-7H(**)	CL625-0041-0-**-	60	30	26.8	23.2	7.25	30.3	9.45	26.2	52.4	56	56.4	62.4	0.1 Max	300
ER8-70S-0.8SV-7H(**)	CL625-0042-0-**-	70	34	30.8	27.2	7.25	34.3	9.45	26.2	52.4	56	56.4	62.4	0.12 Max	300
ER8-80S-0.8SV-7H(**)	CL625-0043-0-**-	80	38	34.8	31.2	7.25	38.3	9.45	26.2	52.4	56	56.4	62.4	0.12 Max	300
ER8-100S-0.8SV-7H(**)	CL625-0044-0-**-	100	46	42.8	39.2	7.25	46.3	9.45	34.2	68.4	72	72.4	89	0.12 Max	300
ER8-120S-0.8SV-7H(**)	CL625-0045-0-**-	120	54	50.8	47.2	7.25	54.3	9.45	34.2	68.4	72	72.4	89	0.12 Max	300

Table2 Dimensions

<b>HRS</b>	DRAWING NO.	EDC-371041-00-00
	PART NO.	ER8-***S-0.8SV-*H(**)
	CODE NO.	CL625
		3/3

## X-ON Electronics

Largest Supplier of Electrical and Electronic Components

*Click to view similar products for [Board to Board & Mezzanine Connectors](#) category:*

*Click to view products by [Hirose](#) manufacturer:*

Other Similar products are found below :

[589158040000018](#) [MDF7C-18P-2.54DSA\(55\)](#) [FCN-230C068-11](#) [FCN-268F012-G/BD](#) [FCN-268F036-G/BD](#) [FCN-268M012-G/0D](#) [FCN-268M024-G/1D](#) [FCN-723J004/1](#) [MIS-048-01-F-D-DP-K](#) [832-10-034-10-001000](#) [FX4C-80S-1.27DSA](#) [FCN-214Q030-G/0](#) [FCN-234P048-G/0](#) [FCN-235D050-G/C](#) [210-93-314-41-105000](#) [2-22603-0](#) [MDF7-40DP-2.54DSA\(55\)](#) [AXG720047](#) [MIT-114-03-F-D-K](#) [55323-1519](#) [DF33-2P-3.3DSA\(24\)](#) [YFT-20-05-H-03-SB-K](#) [503308-3040](#) [026-6203-PDB](#) [027-6203-PDB](#) [069159702701000](#) [10123981-102LF](#) [101A10019X](#) [55650-0588-C](#) [68682-310LF](#) [68684-306](#) [75140-7012](#) [87471-650](#) [YTW-30-07-H-Q-410-140](#) [FCN-268F024-G0D](#) [10124054-515LF](#) [68685-603](#) [8-1616154-3](#) [MIS-019-01-F-D](#) [FCN-268M024-G/3D](#) [FCN-268M036-G/BD](#) [20021832-06016C1LF](#) [KX15-20KLDL-E1000E](#) [AXE810124](#) [FCN-214J100-G/0](#) [FCN-230C068-E/S](#) [AXE812124](#) [AXE816124](#) [AXE720127](#) [354184](#)