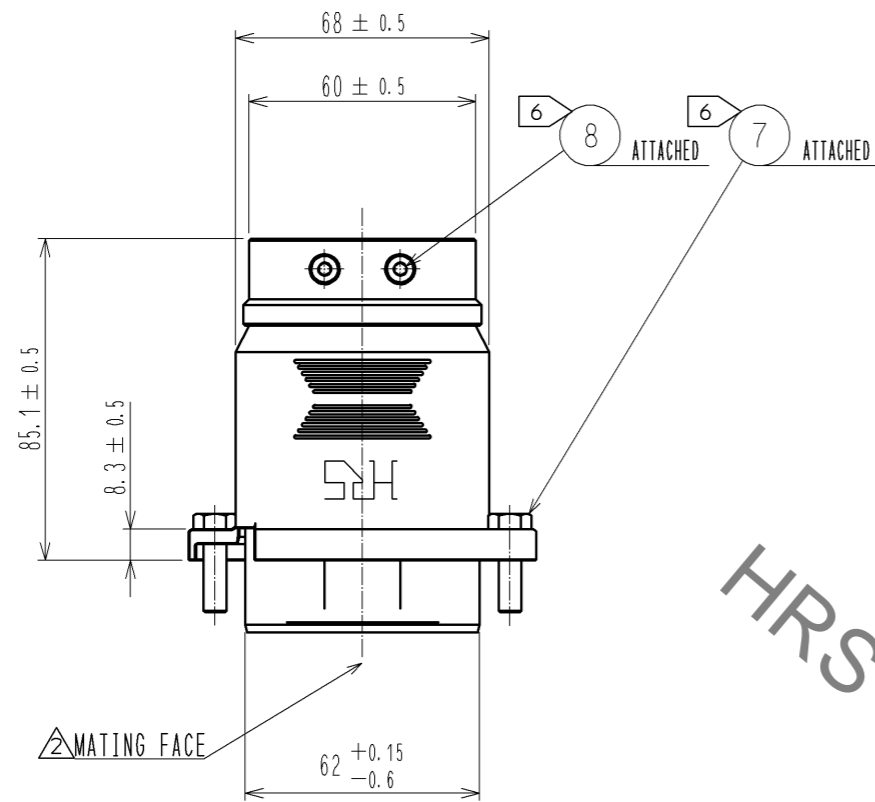
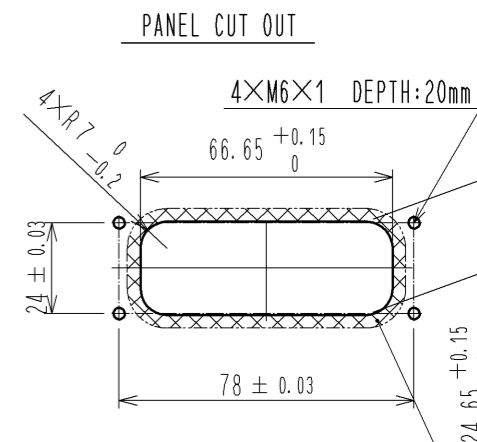
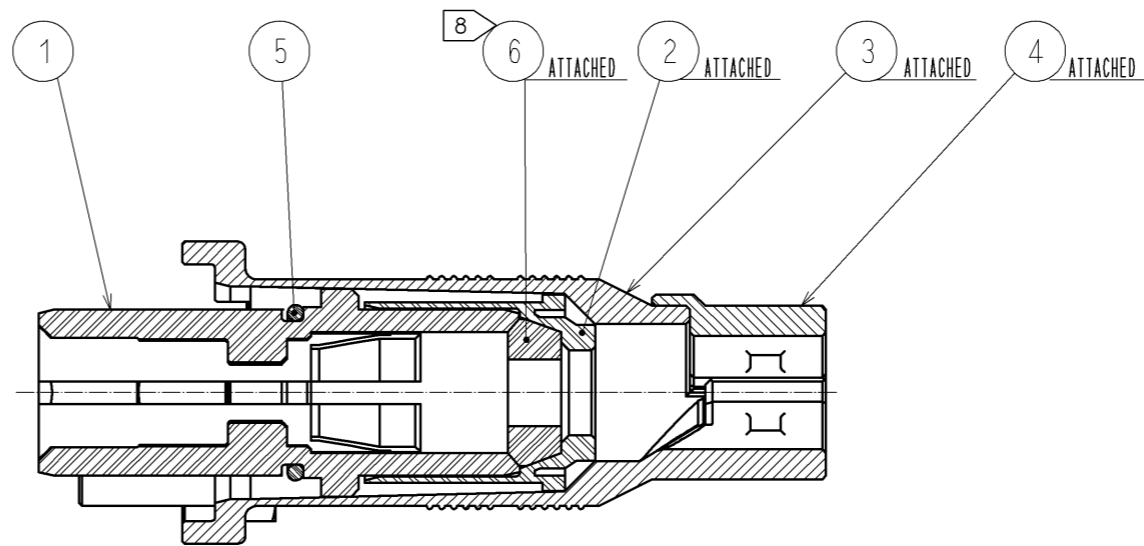


Sep.1.2021 Copyright 2021 HIROSE ELECTRIC CO., LTD. All Rights Reserved.
In case of consideration for using Automotive equipment / device which demand high reliability, kindly contact our sales window correspondents.

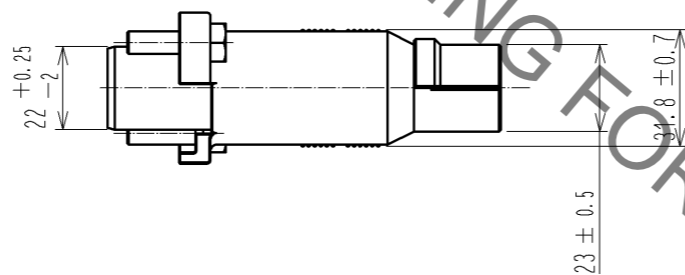
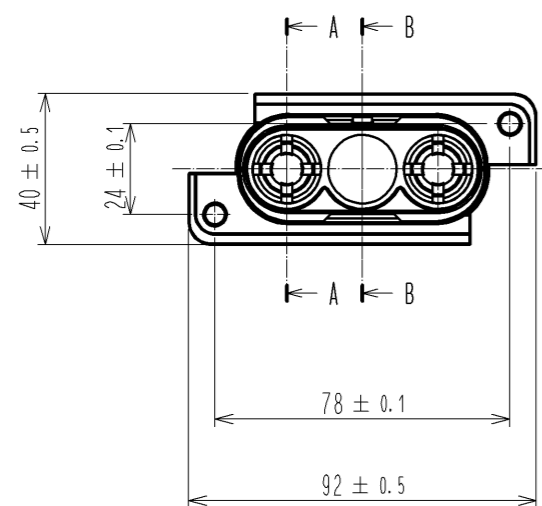
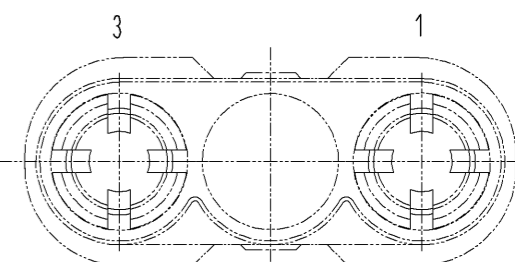


A-A(1:1)

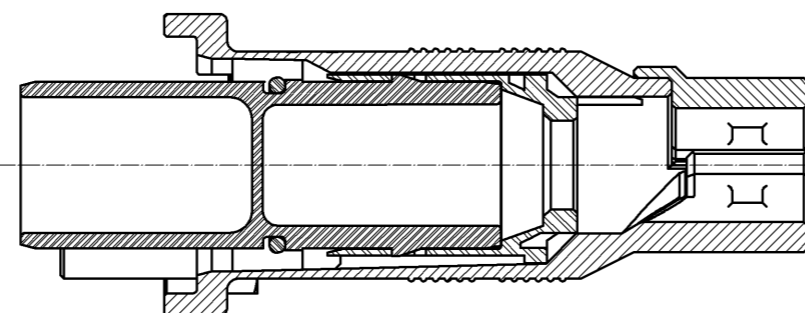


SURFACE ROUGHNESS AT 3.5mm OR MORE AROUND THE PANEL CUT OUT INDICATED BY SHALL BE $\sqrt{Rz3.2}$.

CONTACT ARRANGEMENT FROM MATING FACE



B-B(1:1)



- NOTES
- 1 APPLICABLE CRIMP CONTACT EXTRACTION TOOL : EV1-22-TP(CL150-0251-5).
 - 2 REFER TO THE TECHNICAL SPECIFICATION 'ATAD-C0209' FOR ASSEMBLY PROCEDURE.
 - 3 ROTATION EXAMPLES OF REF. NO. ③ AND ⑦ ARE SHOWN.
 - 4 ROTATION EXAMPLES OF REF. NO. ④ AND ⑧ ARE SHOWN.
 - 5 APPLICABLE CABLE COMPOSITION IS DONE BY THE FOLLOWING.

LINE	CONDUCTOR SQUARE		BRAIDED SHIELD THICKNESS	OUTER DIAMETER
	INSULATION DIAMETER			
20	$\phi 8.7$		0.45	11.5
	mm ²	mm	mm	mm

- ⑥ THE RECOMMENDED TIGHTENING TORQUE : REF. NO. ⑦, ⑧ : $5 \pm 0.25 \text{ N} \cdot \text{m}$.
- ⑦ APPLICABLE CRIMP CONTACT : EV1-PC-112(C01)(CL139-0004-9-01) OR EV1-PC1-112(C01)(CL139-0005-1-01)
- ⑧ DO NOT APPLY LUBRICANTS SUCH AS AREASE TO REF. NO. ⑥.

4	ALUMINIUM ALLOY	NICKEL PLATING	8	STEEL	CHROMATE TREATMENT (TRIVALENT CHROMIUM) HEXAGON SOCKET HEAD CAP SCREW M4(CL=18)
3	ALUMINIUM ALLOY	NICKEL PLATING	7	STEEL	CHROMATE TREATMENT (TRIVALENT CHROMIUM) HEXAGON HEAD BOLT M6(CL=16)
2	POLYAMIDE	(BLACK) UL94V-0	6	FLUOROSILICONE RUBBER SILICONE RUBBER	(BLACK)
1	POLYAMIDE	(BLACK) UL94V-0	5	HYDROGENATED ACRYLONITRILE BUTADIENE RUBBER	(BLACK)
NO.	MATERIAL	FINISH . REMARKS	NO.	MATERIAL	FINISH . REMARKS

UNITS mm		SCALE 1 : 2	COUNT 2	DESCRIPTION OF REVISIONS DIS-C-003104	DESIGNED HS. KAWASHIMA	CHECKED HY. KOBAYASHI	DATE 13.06.21
APPROVED : SU. OBARA 11.10.21				DRAWING NO. EDC3-117668-00			
CHECKED : HY. KOBAYASHI 11.10.21				PART NO. EV1-62P-2PC			
DESIGNED : HS. KAWASHIMA 11.10.21				CODE NO. CL139-0007-7-00			
DRAWN : HS. KAWASHIMA 11.10.21				1/1			

X-ON Electronics

Largest Supplier of Electrical and Electronic Components

Click to view similar products for [Heavy Duty Power Connectors](#) category:

Click to view products by [Hirose](#) manufacturer:

Other Similar products are found below :

[647757-1](#) [6643411-1](#) [6646058-2](#) [6646137-1](#) [6646138-1](#) [6646479-1](#) [6646608-1](#) [6646786-1](#) [6646940-1](#) [6651091-1](#) [6651525-1](#) [6651529-1](#)
[6651788-1](#) [696475-1](#) [73000005059](#) [73000005642](#) [765-15-0080A](#) [765-16-0080B](#) [829992-1](#) [902-77-02113](#) [129-1J](#) [AN0024023](#) [E6374G1](#)
[e6389g2](#) [157-43GW8](#) [MS3117-14AC](#) [1643543-1](#) [1650540-1](#) [1651811-2](#) [1766260-1](#) [1766282-1](#) [1766966-1](#) [1791340000](#) [NLDFT-3-BL-L-](#)
[S120-M40A](#) [NLDFT-N-W-L-C240-M40B](#) [NLS-2-R-C240-M40B](#) [NLS-N-W-C240-M40B](#) [NPS-3-BL-T6](#) [1986615-1](#) [2-1589900-8](#) [2199314-1](#)
[KA8102](#) [9300480317](#) [SBS50BRN#6](#) [29131](#) [29652](#) [1646905-1](#) [1648320-1](#) [1648582-1](#) [1650195-2](#)