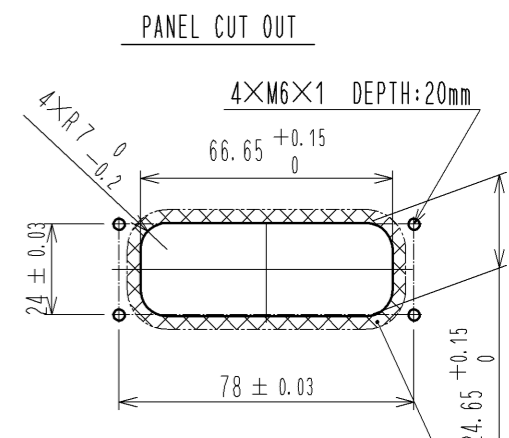
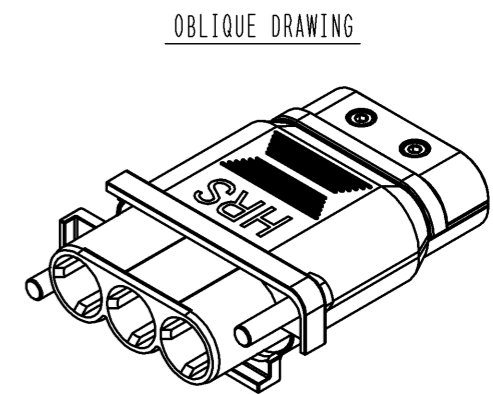
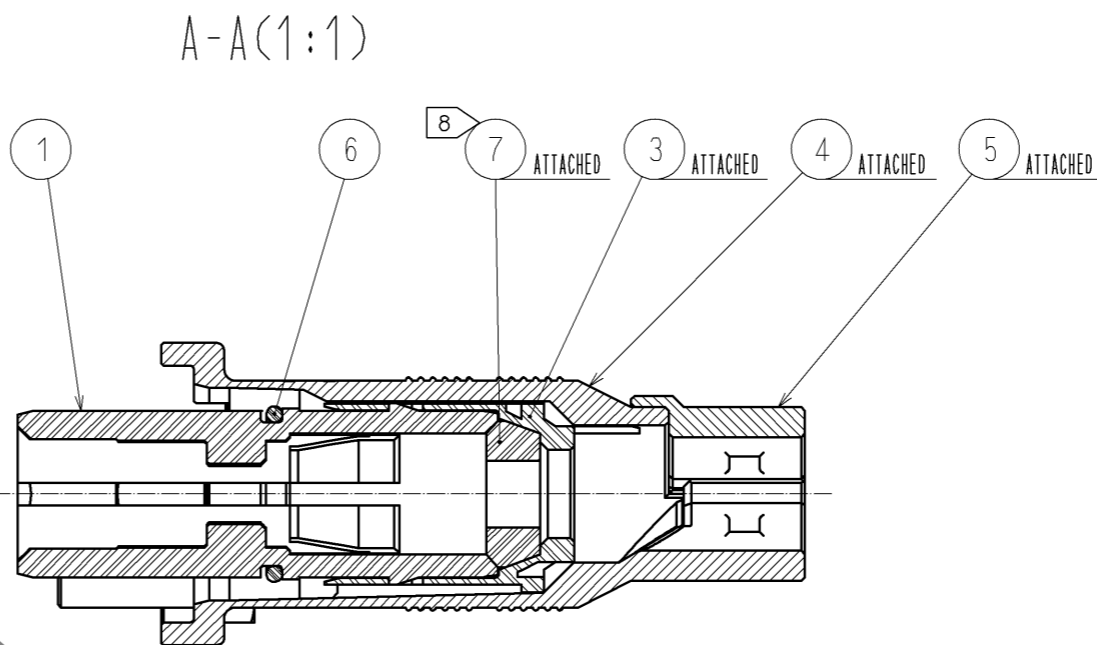
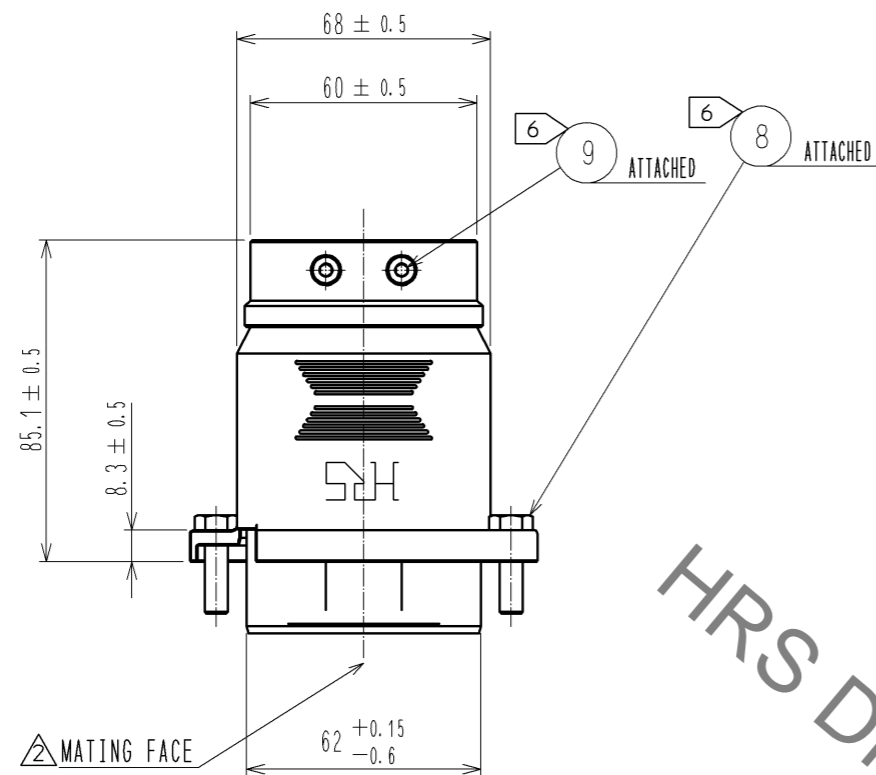
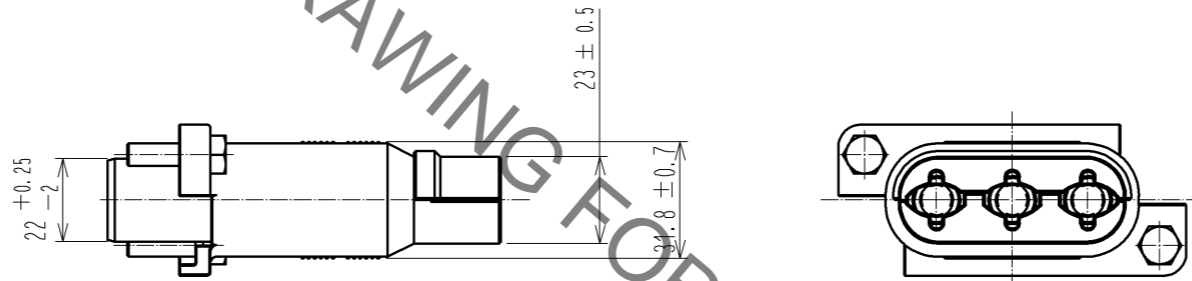
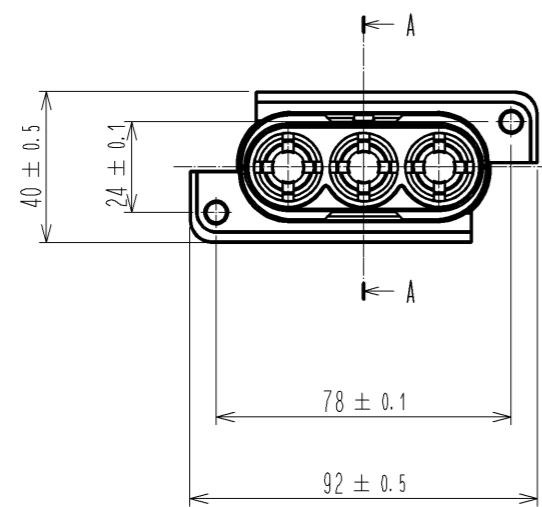


Sep.1.2021 Copyright 2021 HIROSE ELECTRIC CO., LTD. All Rights Reserved.
In case of consideration for using Automotive equipment / device which demand high reliability, kindly contact our sales window correspondents.



SURFACE ROUGHNESS AT 3.5mm OR MORE AROUND THE PANEL CUT OUT INDICATED BY SHALL BE $\sqrt{Rz3.2}$.

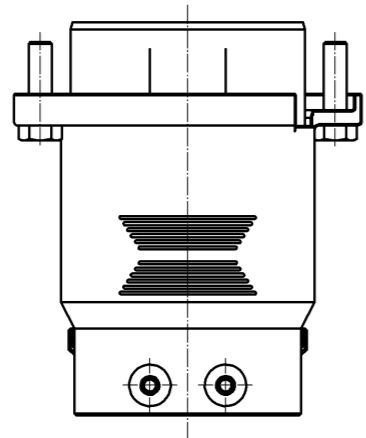
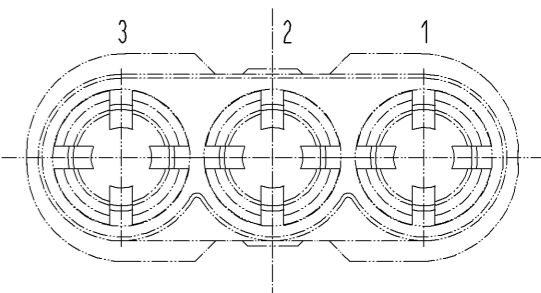


- NOTES
- 1 APPLICABLE CRIMP CONTACT EXTRACTION TOOL : EV1-22-TP(CL150-0251-5).
 - 2 REFER TO THE TECHNICAL SPECIFICATION 'ATAD-C0209' FOR ASSEMBLY PROCEDURE.
 - 3 ROTATION EXAMPLES OF REF. NO. ④ AND ⑥ ARE SHOWN.
 - 4 ROTATION EXAMPLES OF REF. NO. ⑤ AND ⑦ ARE SHOWN.
 - 5 APPLICABLE CABLE COMPOSITION IS DONE BY THE FOLLOWING.

LINE		BRAIDED SHIELD	OUTER
CONDUCTOR SQUARE	INSULATION DIAMETER	THICKNESS	DIAMETER
20	φ 8.7	0.45	11.5
mm ²	mm	mm	mm

- ⑥ THE RECOMMENDED TIGHTENING TORQUE : REF. NO. ⑧, ⑨ : 5 ± 0.25 N · m.
- 7 APPLICABLE CRIMP CONTACT : EV1-PC-112(CL139-0004-9) OR EV1-PC1-112(CL139-0005-1)
- ① ⑧ DO NOT APPLY LUBRICANTS SUCH AS AREASE TO REF. NO. ⑦.

CONTACT ARRANGEMENT FROM MATING FACE.



NO.	MATERIAL	FINISH	REMARKS	NO.	MATERIAL	FINISH	REMARKS
5	ALUMINIUM ALLOY	NICKEL PLATING		9	STEEL	CHROMATE TREATMENT (TRIVALENT CHROMIUM)	HEXAGON SOCKET HEAD CAP SCREW M4(CL=18)
4	ALUMINIUM ALLOY	NICKEL PLATING		8	STEEL	CHROMATE TREATMENT (TRIVALENT CHROMIUM)	HEXAGON HEAD BOLT M6(CL=16)
3	POLYAMIDE	(BLACK) UL94V-0		7	FLUOROSILICONE RUBBER SILICONE RUBBER	(BLACK)	
2				6	HYDROGENATED ACRYLONITRILE BUTADIENE RUBBER	(BLACK)	
1	POLYAMIDE	(BLACK) UL94V-0					

UNITS	SCALE	COUNT	DESCRIPTION OF REVISIONS	DESIGNED	CHECKED	DATE
mm	1 : 2	2	DIS-C-003104	HS. KAWASHIMA	HY. KOBAYASHI	13.06.21
APPROVED : SU. OBARA			11.10.06	DRAWING NO. EDC3-116716-00		
CHECKED : HY. KOBAYASHI			11.10.06	PART NO. EV1-62P-3PC		
DESIGNED : YH. YAMADA			11.10.06	CODE NO. CL139-0001-0-00		
DRAWN : YH. YAMADA			11.10.06	1/1		

X-ON Electronics

Largest Supplier of Electrical and Electronic Components

Click to view similar products for [Heavy Duty Power Connectors](#) category:

Click to view products by [Hirose](#) manufacturer:

Other Similar products are found below :

[647757-1](#) [6643411-1](#) [6646058-2](#) [6646137-1](#) [6646138-1](#) [6646479-1](#) [6646608-1](#) [6646786-1](#) [6646940-1](#) [6651091-1](#) [6651525-1](#) [6651529-1](#)
[6651788-1](#) [696475-1](#) [702-32-01109](#) [703-25-02205](#) [73000005059](#) [73000005642](#) [765-15-0080A](#) [765-16-0080B](#) [765-18-0080D](#) [829992-1](#)
[902-77-02113](#) [PS00/A0620/6300](#) [129-1J](#) [1409400](#) [AN0024023](#) [E6374G1](#) [e6389g2](#) [157-43GW8](#) [MS3117-14AC](#) [1643543-1](#) [1650540-1](#)
[1651811-2](#) [1766260-1](#) [1766282-1](#) [1766966-1](#) [1791340000](#) [NLDFT-3-BL-L-S120-M40A](#) [NLDFT-N-W-L-C240-M40B](#) [NLS-2-R-C240-](#)
[M40B](#) [NLS-N-W-C240-M40B](#) [NPS-3-BL-T6](#) [1986615-1](#) [2-1589900-8](#) [2199314-1](#) [KA8102](#) [9300480317](#) [SBS50BRN#6](#) [29131](#)