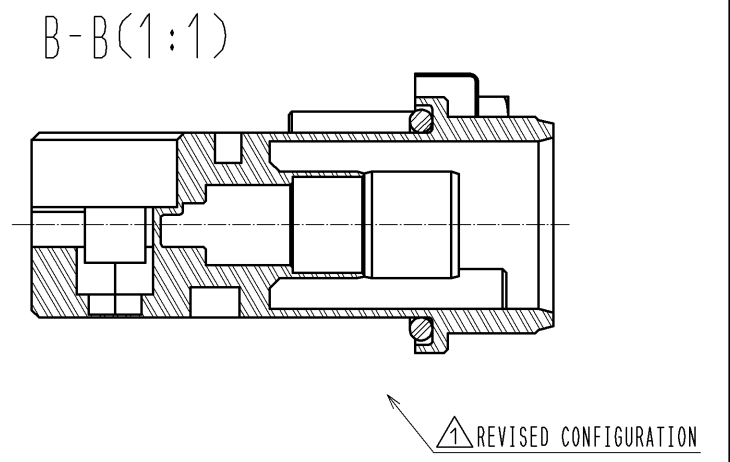
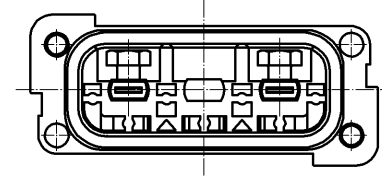
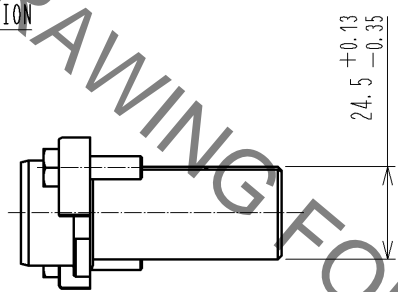
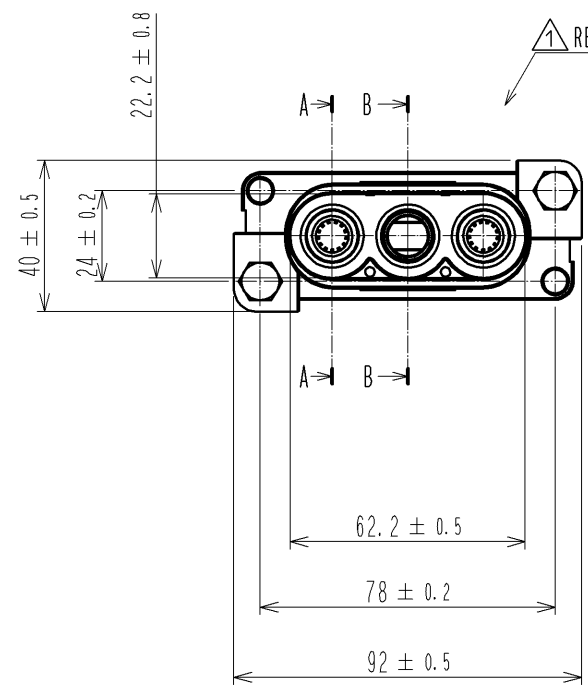
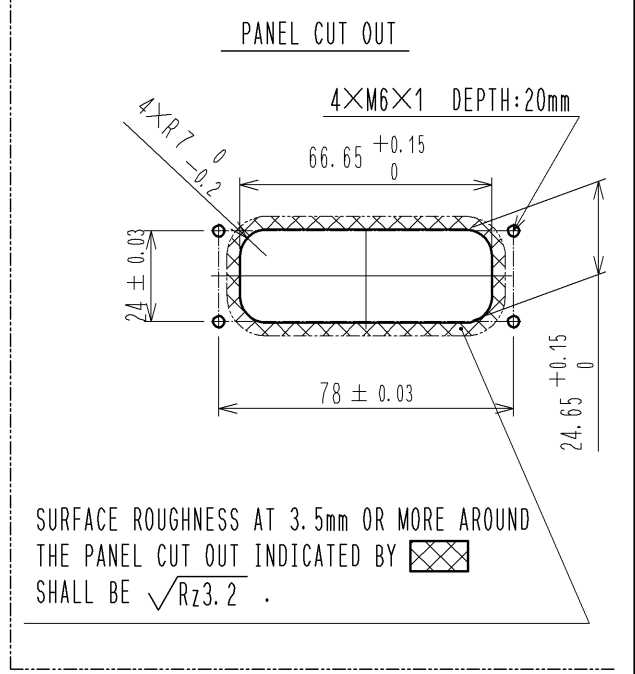
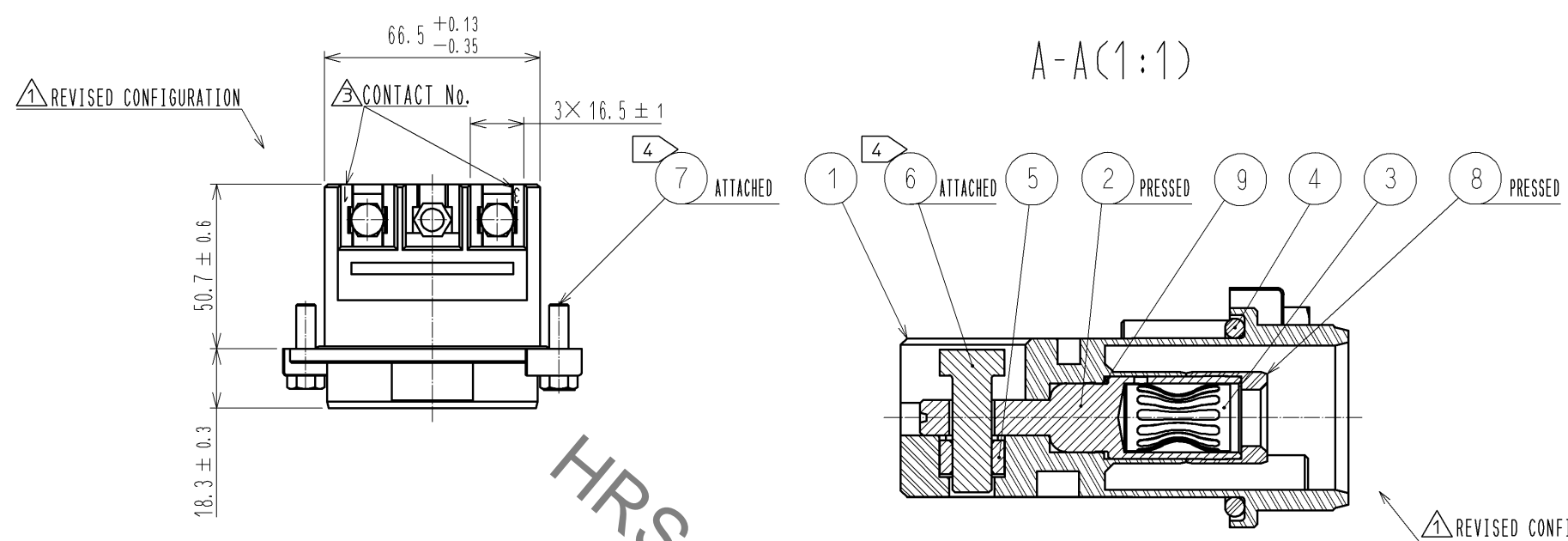


Sep.1.2021 Copyright 2021 HIROSE ELECTRIC CO., LTD. All Rights Reserved.
In case of consideration for using Automotive equipment / device which demand high reliability, kindly contact our sales window correspondents.



- NOTES
- 1 ROTATION EXAMPLES OF REF. NO. ① AND ⑦ ARE SHOWN.
 - 2 ROTATION EXAMPLES OF REF. NO. ② AND ③ ARE SHOWN.
 - 3 WHEN THIS CONNECTOR IS MOUNTED ON TO PANEL, BE CAREFUL REF. NO. ④ IS ASSEMBLED SURELY INTO THE GROOVE OF REF. NO. ① AS SHOWN IN THIS FIGURE TO KEEP WATERPROOF EFFECTIVENESS.
 - ④ THE RECOMMENDED TIGHTENING TORQUE : REF. NO. ⑥, ⑦ : 5±0.25 N·m.
 - 5 THE RECOMMENDED BUS BAR SIZE : 10 TO 12 × 3 TO 4 (WIDTH×THICKNESS)
 - ⑤ THE RECOMMENDED BUS BAR PLATING : PLEASE NOTE THAT OTHER PLATING TYPES COULD CAUSE CORROSION DUE TO THE POTENTIAL DIFFERENCE BETWEEN DISSIMILAR METALS.

4	HYDROGENATED ACRYLONITRILE BUTADIENE RUBBER	(BLACK)	9	FLUOROSILICONE RUBBER	(BLACK)
3	COPPER ALLOY	SILVER PLATING 3μm MIN	8	POLYAMIDE	(BLACK) UL94V-0
2	COPPER ALLOY	SILVER PLATING 3μm MIN	7	STEEL	CHROMATE TREATMENT (TRIVALENT CHROMIUM) HEXAGON HEAD BOLT. M6(CL-22)
1	POLYAMIDE	(BLACK) UL94V-0	6	BRASS	NICKEL PLATING HEXAGON HEAD BOLT. M6(CL-16)
			5	BRASS	NICKEL PLATING HEXAGON NUT
NO.	MATERIAL	FINISH . REMARKS	NO.	MATERIAL	FINISH . REMARKS

UNITS mm		SCALE 1 : 2	COUNT 1	DESCRIPTION OF REVISIONS DIS-C-003104	DESIGNED HS. KAWASHIMA	CHECKED HY. KOBAYASHI	DATE 13.06.21
HRS HIROSE ELECTRIC CO., LTD.		APPROVED : SU. OBARA	11.10.25	DRAWING NO. EDC3-117669-00			
		CHECKED : HY. KOBAYASHI	11.10.25	PART NO. EV1-62RA-2SB			
		DESIGNED : HS. KAWASHIMA	11.10.24	CODE NO. CL139-0008-0-00			
		DRAWN : HS. KAWASHIMA	11.10.24			③ 1/1	

X-ON Electronics

Largest Supplier of Electrical and Electronic Components

Click to view similar products for [Heavy Duty Power Connectors](#) category:

Click to view products by [Hirose](#) manufacturer:

Other Similar products are found below :

[647757-1](#) [6643411-1](#) [6646058-2](#) [6646137-1](#) [6646138-1](#) [6646479-1](#) [6646608-1](#) [6646786-1](#) [6646940-1](#) [6651091-1](#) [6651525-1](#) [6651529-1](#)
[6651788-1](#) [696475-1](#) [73000005059](#) [73000005642](#) [765-15-0080A](#) [765-16-0080B](#) [829992-1](#) [902-77-02113](#) [129-1J](#) [AN0024023](#) [E6374G1](#)
[e6389g2](#) [157-43GW8](#) [MS3117-14AC](#) [1643543-1](#) [1650540-1](#) [1651811-2](#) [1766260-1](#) [1766282-1](#) [1766966-1](#) [1791340000](#) [NLDFT-3-BL-L-](#)
[S120-M40A](#) [NLDFT-N-W-L-C240-M40B](#) [NLS-2-R-C240-M40B](#) [NLS-N-W-C240-M40B](#) [NPS-3-BL-T6](#) [1986615-1](#) [2-1589900-8](#) [2199314-1](#)
[KA8102](#) [9300480317](#) [SBS50BRN#6](#) [29131](#) [29652](#) [1646905-1](#) [1648320-1](#) [1648582-1](#) [1650195-2](#)