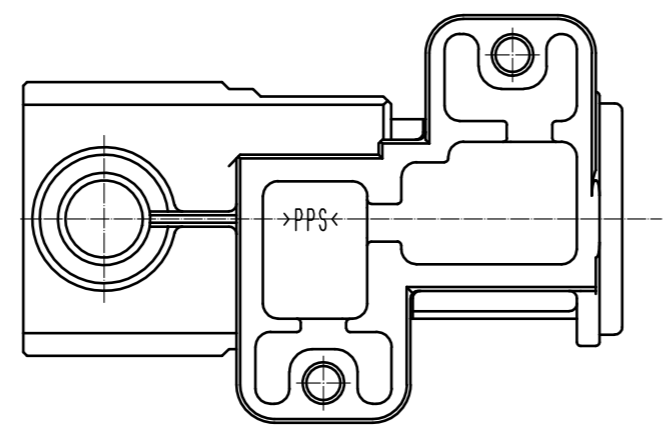
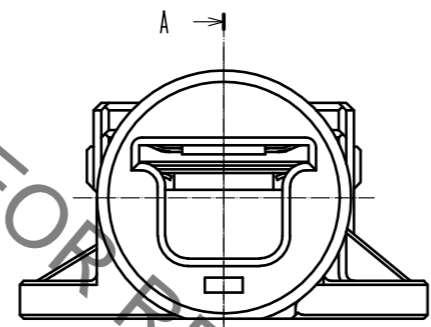
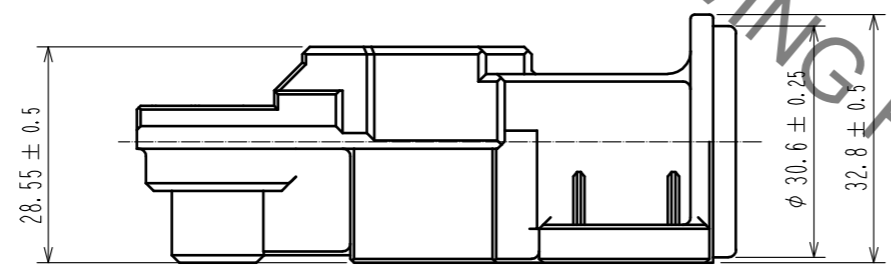
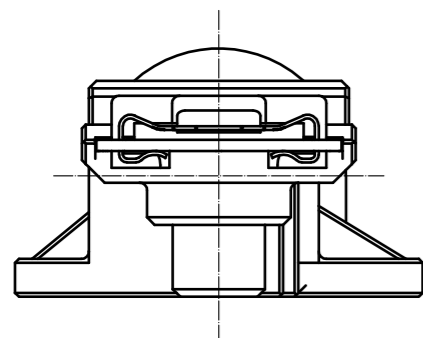
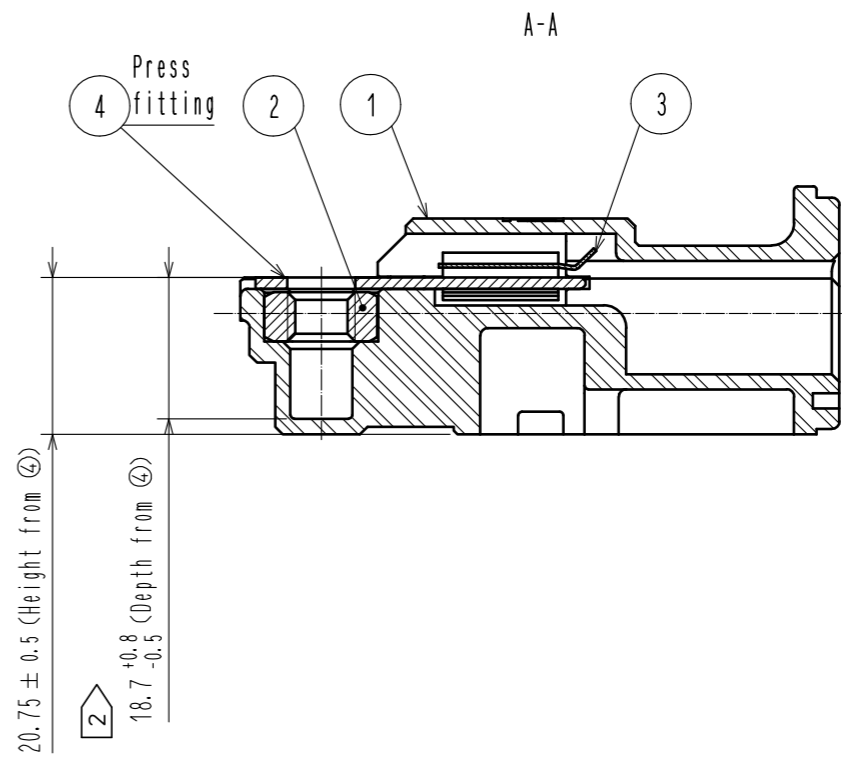
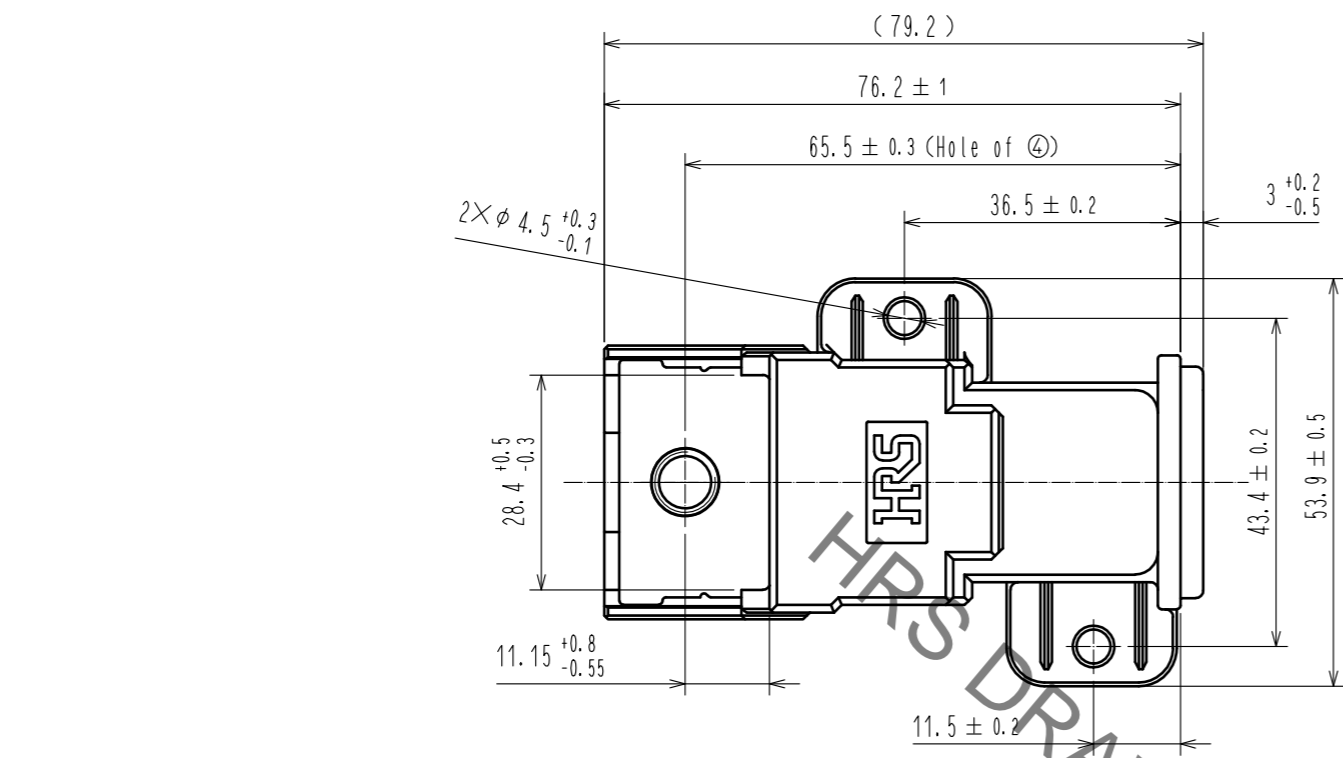


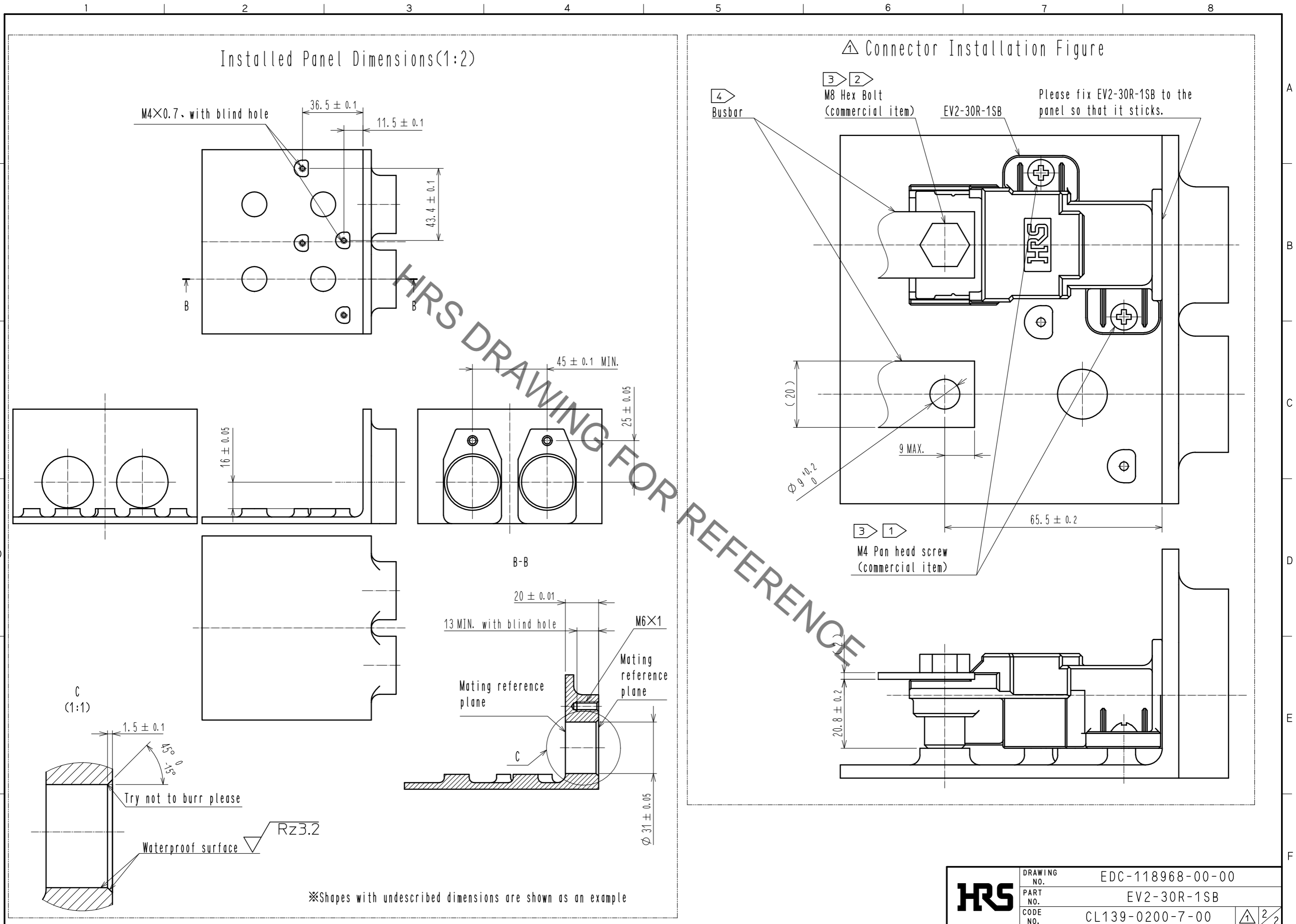
Sep.1.2021 Copyright 2021 HIROSE ELECTRIC CO., LTD. All Rights Reserved.
In case of consideration for using Automotive equipment / device which demand high reliability, kindly contact our sales window correspondents.



- Notes
- ① The recommended tightening torque of the M4 Pan head screws is 1.5 to 1.6 N·m.
 - ② Applicable Hex bolt specifications:
Material: Steel
Plating: Nickel plating
Nominal length: Thickness of the busbar + (10 to 15)mm
The recommended tightening torque: 6.0 to 6.5 N·m
 - ③ To prevent the M4 Pan head screw and M8 Hex bolt from loosening, it is recommended that Henkel Japan's loctite 243, or equivalent, be applied to this product.
 - ④ Recommended busbar plating: Tin plating
(If a tin plating is not used, be careful of galvanic corrosion)
 - ⚠ WARNING ⑤ This connector is not hot pluggable.
 - ① ⑥ This product shall be mated/unmated with the Hex bolt fixed as shown in Connector Installation Figure. If there are no bolts, part ④ will come off.

2	Steel	Nickel plating	4	Copper alloy	Tin plating 1μm min.
1	Polyphenylene sulfide	UL94V-0 (Black)	3	Stainless steel	
NO.	MATERIAL	FINISH . REMARKS	NO.	MATERIAL	FINISH . REMARKS
UNITS	mm	SCALE	1 : 1	COUNT	2
DESCRIPTION OF REVISIONS			DESIGNED	CHECKED	DATE
DIS-C-00002349			TP. KOMATSU	YH. YAMADA	18.06.07
APPROVED : SU. OBARA 15.11.13			DRAWING NO. EDC-118968-00-00		
CHECKED : YH. YAMADA 15.11.13			PART NO. EV2-30R-1SB		
DESIGNED : HS. KAWASHIMA 15.11.13			CODE NO. CL139-0200-7-00		
DRAWN : HS. KAWASHIMA 15.11.13			1/2		

Sep.1.2021 Copyright 2021 HIROSE ELECTRIC CO., LTD. All Rights Reserved.
In case of consideration for using Automotive equipment / device which demand high reliability, kindly contact our sales window correspondents.



※Shapes with undescribed dimensions are shown as an example

HRS	DRAWING NO.	EDC-118968-00-00	△ 2/2
	PART NO.	EV2-30R-1SB	
	CODE NO.	CL139-0200-7-00	

X-ON Electronics

Largest Supplier of Electrical and Electronic Components

Click to view similar products for [Heavy Duty Power Connectors](#) category:

Click to view products by [Hirose](#) manufacturer:

Other Similar products are found below :

[647757-1](#) [6643411-1](#) [6646058-2](#) [6646137-1](#) [6646138-1](#) [6646479-1](#) [6646608-1](#) [6646786-1](#) [6646940-1](#) [6651091-1](#) [6651525-1](#) [6651529-1](#)
[6651788-1](#) [696475-1](#) [702-32-01109](#) [703-25-02205](#) [73000005059](#) [73000005642](#) [765-15-0080A](#) [765-16-0080B](#) [765-18-0080D](#) [829992-1](#)
[902-77-02113](#) [PS00/A0620/6300](#) [129-1J](#) [1409400](#) [AN0024023](#) [E6374G1](#) [e6389g2](#) [157-43GW8](#) [MS3117-14AC](#) [1643543-1](#) [1650540-1](#)
[1651811-2](#) [1766260-1](#) [1766282-1](#) [1766966-1](#) [1791340000](#) [NLDFT-3-BL-L-S120-M40A](#) [NLDFT-N-W-L-C240-M40B](#) [NLS-2-R-C240-](#)
[M40B](#) [NLS-N-W-C240-M40B](#) [NPS-3-BL-T6](#) [1986615-1](#) [2-1589900-8](#) [2199314-1](#) [KA8102](#) [9300480317](#) [SBS50BRN#6](#) [29131](#)