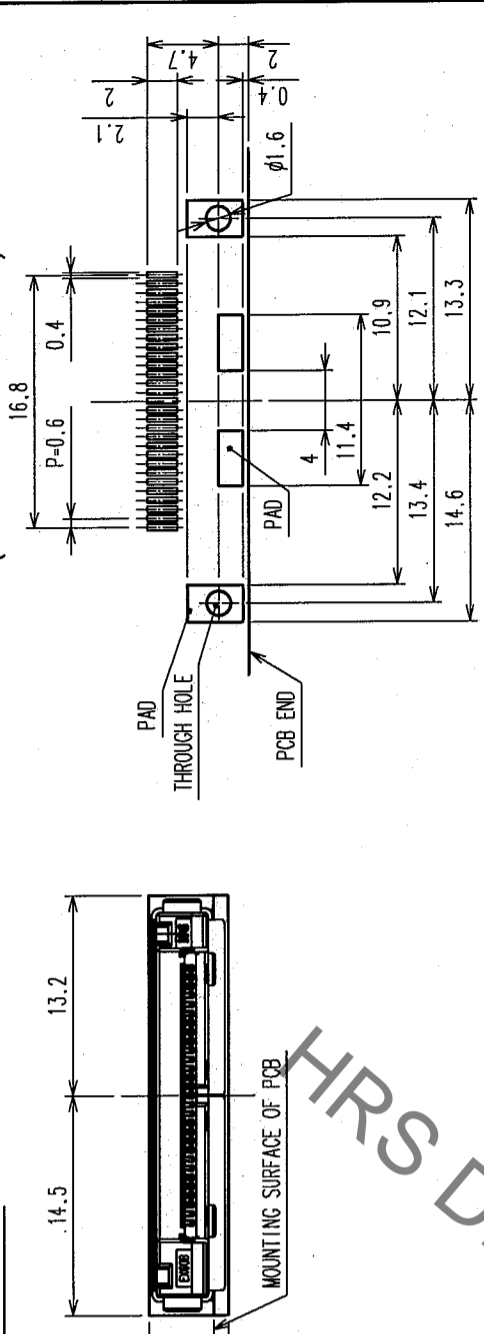
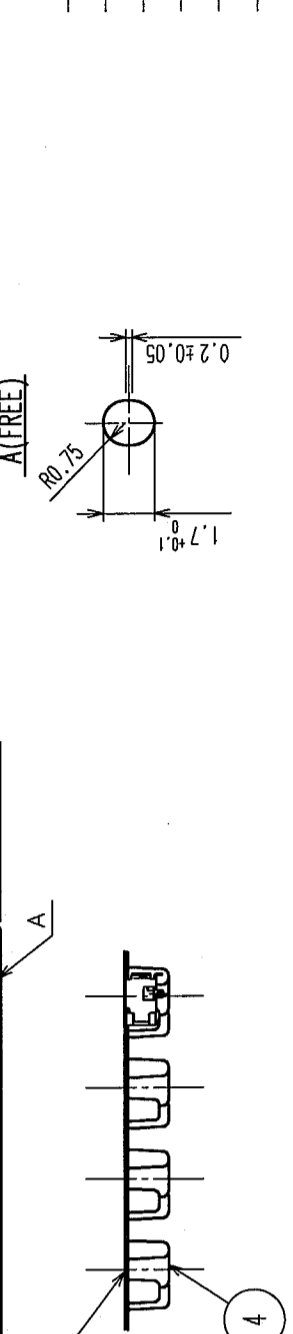
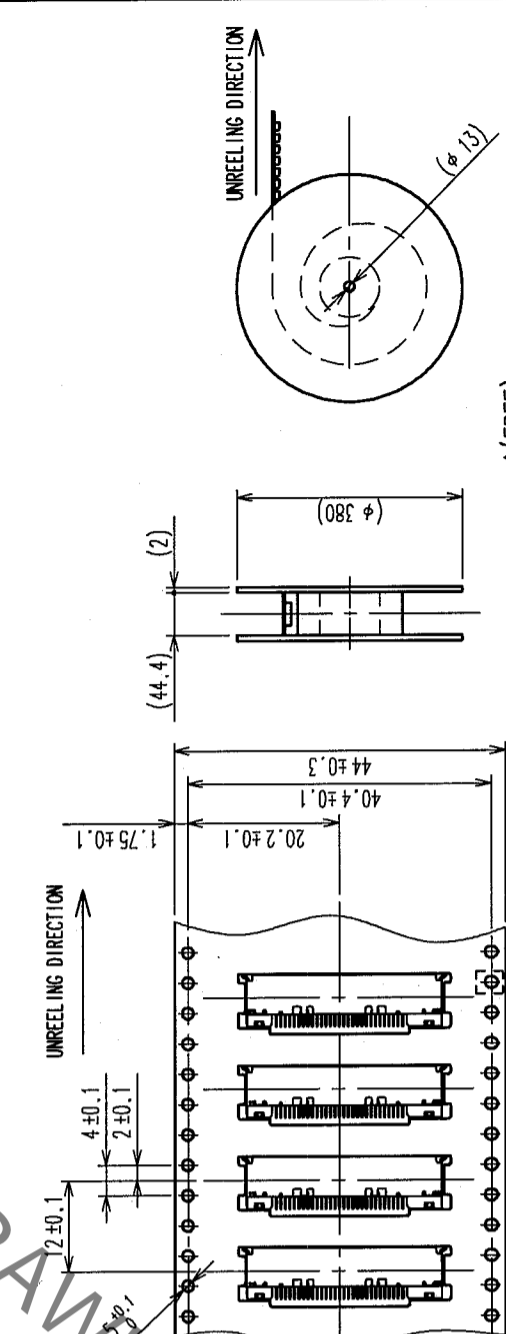


COUNT	DESCRIPTION OF REVISIONS	BY	CHKD	DATE	COUNT	DESCRIPTION OF REVISIONS	BY	CHKD	DATE

RECOMMENDED PCB PATTERN
(CONNECTOR MOUNTING SIDE)



4 DRAWING FOR PACKING(FREE)



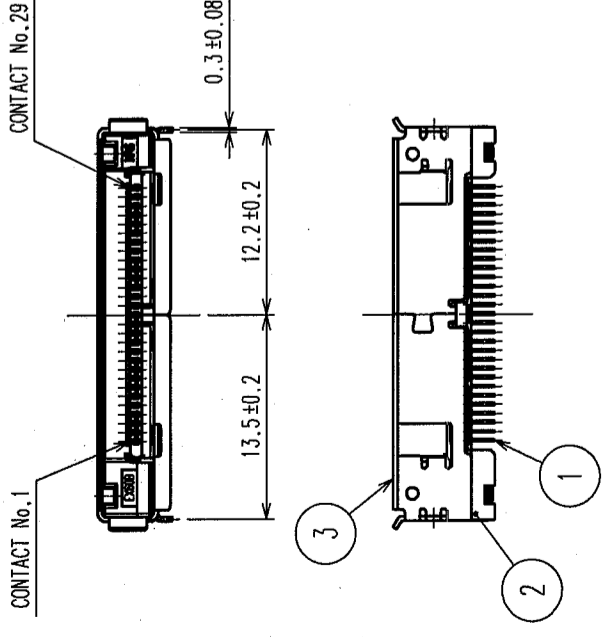
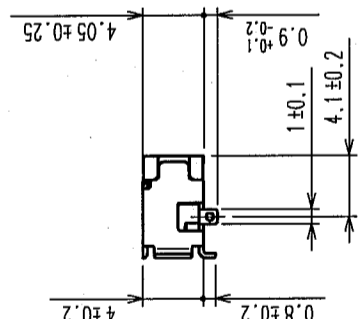
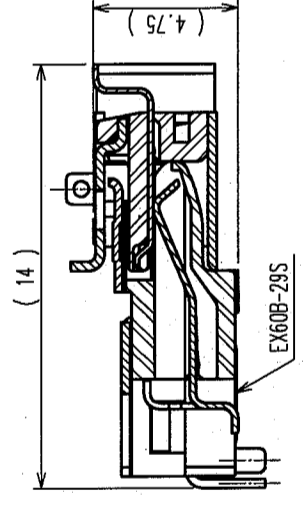
NO.	MATERIAL	FINISH, REMARKS	NO.	MATERIAL	FINISH, REMARKS
3	STAINLESS STEEL	NiPO.2μ m min+SnP1μ m min	5	PS	TOP COVER TAPE
2	LCP	UL94V-0(BLACK)	4	PS	EMBOSSED CARRIER TAPE
1	COPPER ALLOY	3			

CODE NO. (OLD)	DRAWN	DESIGNED	CHECKED	APPROVED	RELEASED

DRAWING NO.	PART NO.
EDC3-124757	EX60B-29P

SCALE	UNITS	CODE NO.
2 : 1	mm	CL232-0611-5

CUT SECTION OF MATED CONNECTOR(4:1)



NOTE 1 APPLICABLE CONNECTOR: EX60B-29S (CL232-0613-0)
REFER TO THE DRAWING AND THE SPECIFICATION SHEET OF EX60B-29S
IN CASE OF USING THIS PRODUCT FOR A CRADLE DEVICE.
2 CONTACT CO-PLANARITY IS 0.1 MAX.
3 CONTACT PLATING SPECIFICATION
UNDER : NICKEL PLATING 1μ m min
CONTACT : GOLD PLATING 0.2μ m min
LEAD : GOLD FLASH PLATING
4 1 REEL : 1200 PIECES.

HRS DRAWING FOR REFERENCE

TO	
Q	

X-ON Electronics

Largest Supplier of Electrical and Electronic Components

Click to view similar products for [I/O Connectors](#) category:

Click to view products by [Hirose](#) manufacturer:

Other Similar products are found below :

[571763P](#) [58098-0628](#) [72.250.1628.2](#) [72.250.2428.2](#) [74720-0505](#) [76.350.0729.0](#) [76871-1403](#) [FCN-244F080-G/1](#) [FCN-260A9920](#) [PCR-E36PM](#) [PCS-XE26MA+](#) [G38A71314B](#) [1571250010](#) [157-22500-3](#) [MS3471L14-19P L/C](#) [192991-0703](#) [172501-4002](#) [172501-6002](#) [FCN-260C008-A/L0](#) [FCN-260C024-AL0](#) [FCN-261Z008](#) [2000314-1](#) [200331-1](#) [PCR-E36FC+](#) [PCS-E28FS+](#) [PCS-XE26SLFD+](#) [PCS-XE26SLFDT+](#) [G730VID08BDC24](#) [U90B2054081210](#) [UE86K842720321](#) [38113800006](#) [DP3AR020WQ1R200](#) [Z4.102.0680.0](#) [500-1040](#) [500-1052](#) [500-1054](#) [ZP-4008-66L](#) [0709821002](#) [DX40-20P\(55\)](#) [5554841-1](#) [MS3474W18-8P-LC*](#) [SM3106F14S-7S-LC](#) [U90B3054061110](#) [U65-E04-4020](#) [ZPF000000000097891](#) [557-262M2-06C](#) [747360449](#) [10099439-003C-TRLF](#) [10137239-0021LF](#) [E9320-001-01](#)