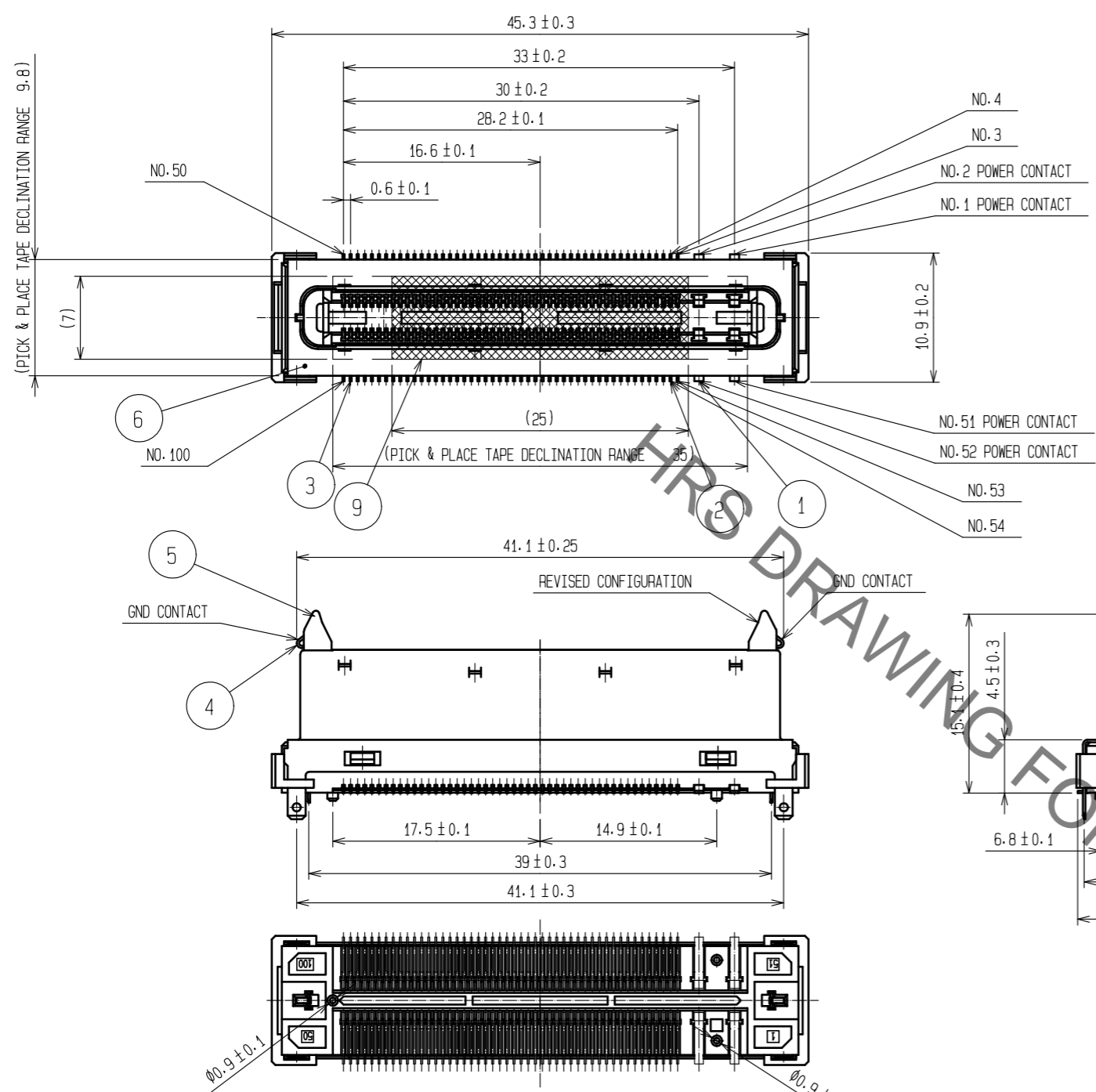
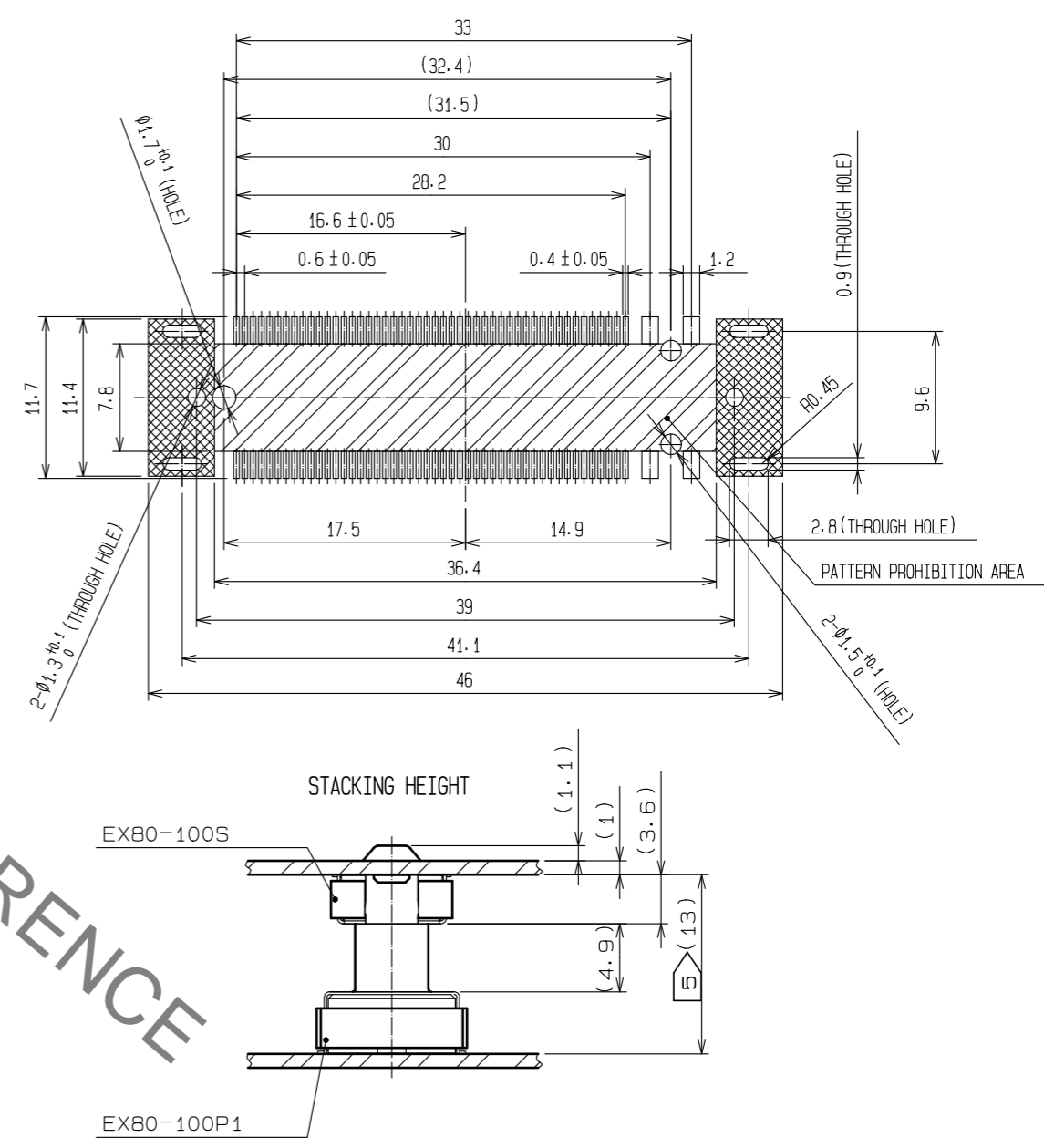


Aug.1.2020 Copyright 2020 HIROSE ELECTRIC CO., LTD. All Rights Reserved.  
 In case of consideration for using Automotive equipment / device which demand high reliability, kindly contact our sales window correspondents.



RECOMMENDED PC BOARD PATTERN (AUTOMATIC MOUNTING)  
 (COMPONENT MOUNTING SIDE:PCB t=1 MIN)



- NOTE 1 CONTACT CO-PLANARITY TO BE MAX 0.15.  
 2 TOLERANCES TO BE ±0.1 UNLESS OTHERWISE SPECIFIED.  
 3 POWER CONTACT No. 1, 2, 51, 52 AND SIGNAL CONTACT NO. 3, 4, 50, 53, 54, 100 TO BE 0.3 [mm] LONGER SEQUENTIAL STRUCTURE THAN OTHER SIGNAL CONTACTS.  
 4 THIS PRODUCT TO BE USED 2.85° MAX AT MATING CONDITION.  
 5 DEVICE DESIGN SHALL CONSIDER THE STACKED HEIGHT TO BE 14.5mm MAX. (RECOMMENDED STACKED HEIGHT IS 13.7mm MAX.)  
 6 APPLY FLOATING STRUCTURE (WITHIN 1.2mm) TO DEVICES FOR THE ATTACHMENT OF THIS PRODUCT.  
 7 MATING GUIDE IS REQUIRED ON THE DEVICE.  
 8 100mm MIN. OF TURNING-RADIUS IS REQUIRED FOR THE ROTATE-AND-MATE PC BODY TO DOCKING STATION.  
 9 CONTACT AREA : GOLD PLATING 0.5µm min  
 LEAD AREA : TIN COPPER PLATING 1µm min  
 THE OTHERS AREA: NICKEL PLATING 2µm min  
 10 DIP AREA : TIN COPPER PLATING 1µm min  
 THE OTHERS AREA: NICKEL PLATING 2µm min  
 11 DIP AREA : TIN COPPER PLATING 2µm min  
 THE OTHERS AREA: NICKEL PLATING 0.6µm min

NO.	MATERIAL	FINISH . REMARKS	NO.	MATERIAL	FINISH . REMARKS
4	PHOSPHOR BRONZE	10	9	PICK & PLACE TAPE	
3	COPPER ALLOY	9	8	PS	MILKY-WHITE
2	COPPER ALLOY	9	7	PS	MILKY-WHITE
1	COPPER ALLOY	9	6	STAINLESS STEEL	11
			5	LCP	UL94V-0. BLACK

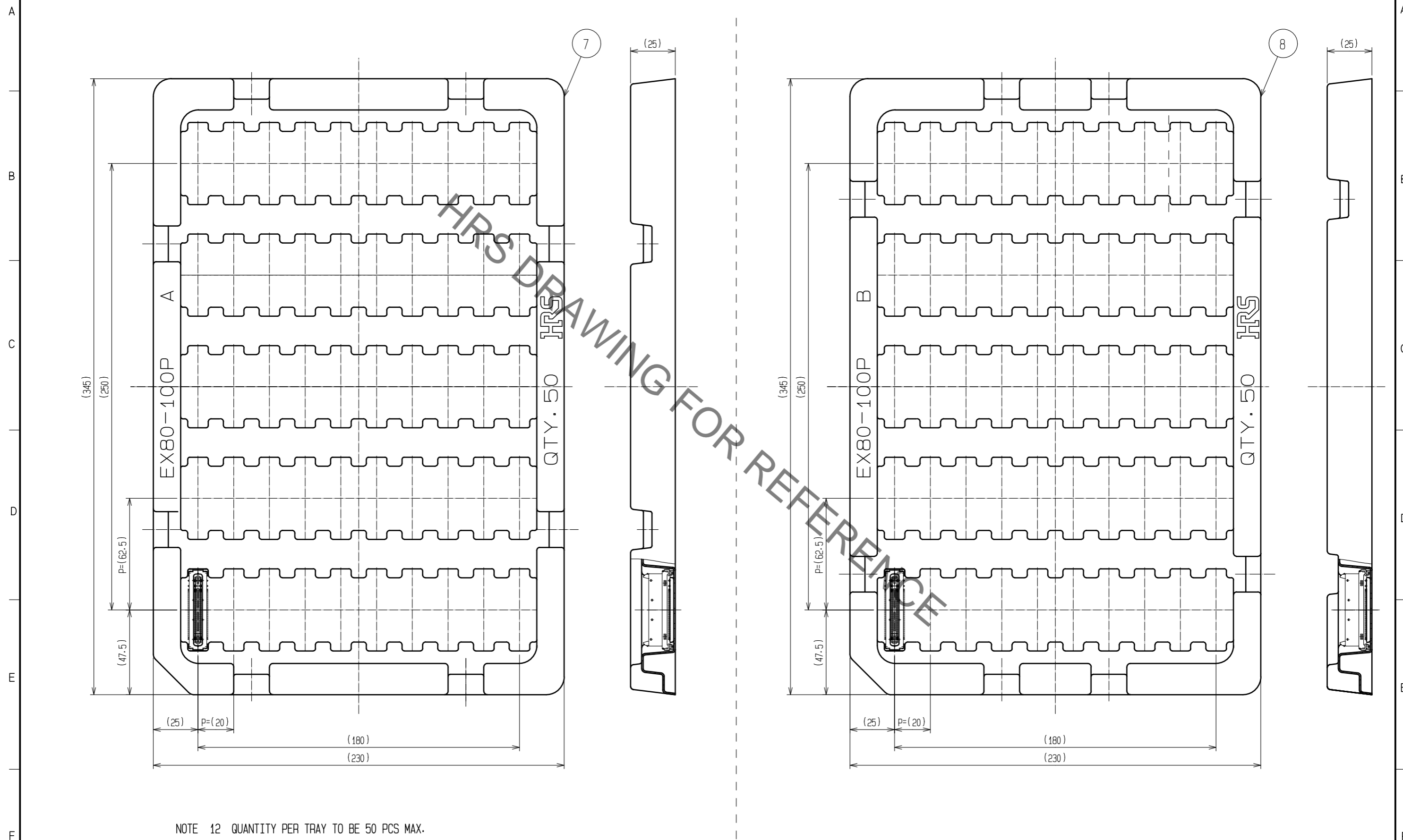
UNITS	SCALE	COUNT	DESCRIPTION OF REVISIONS	DESIGNED	CHECKED	DATE
mm	2 : 1	△	APPROVED : NM. NISHIMATSU 15.10.27			
			CHECKED : KN. ICHIKAWA 15.10.27			
			DESIGNED : TS. ITO 15.10.27			
			DRAWN : AK. AKIYAMA 15.10.27			

DRAWING NO.	PART NO.	CODE NO.
EDC-122791-30-00	EX80-100P1(30)	CL232-0598-9-30

Aug.1.2020 Copyright 2020 HIROSE ELECTRIC CO., LTD. All Rights Reserved.  
 In case of consideration for using Automotive equipment / device which demand high reliability, kindly contact our sales window correspondents.

EX80-100P1 PACKAGING FIGURE(FREE)



NOTE 12 QUANTITY PER TRAY TO BE 50 PCS MAX.  
 ORDERING VOLUME TO BE MADE BY QUANTITY OF CONNECTOR.  
 13 A TYPE AND B TYPE TRAY PILED UP ONE AFTER ANOTHER.

<b>HRS</b>	DRAWING NO.	EDC-122791-30-00
	PART NO.	EX80-100P1(30)
	CODE NO.	CL232-0598-9-30
		2/2

## X-ON Electronics

Largest Supplier of Electrical and Electronic Components

*Click to view similar products for [I/O Connectors](#) category:*

*Click to view products by [Hirose](#) manufacturer:*

Other Similar products are found below :

[571763P](#) [58098-0628](#) [72.250.1628.2](#) [72.250.2428.2](#) [74720-0505](#) [76.350.0729.0](#) [76871-1403](#) [FCN-244F080-G/1](#) [FCN-260A9920](#) [PCR-E36PM](#) [PCS-XE26MA+](#) [G38A71314B](#) [1571250010](#) [157-22500-3](#) [MS3471L14-19P L/C](#) [192991-0703](#) [172501-4002](#) [172501-6002](#) [FCN-260C008-A/L0](#) [FCN-260C024-AL0](#) [FCN-261Z008](#) [2000314-1](#) [200331-1](#) [PCR-E36FC+](#) [PCS-E28FS+](#) [PCS-XE26SLFD+](#) [PCS-XE26SLFDT+](#) [G730VID08BDC24](#) [U90B2054081210](#) [UE86K842720321](#) [38113800006](#) [DP3AR020WQ1R200](#) [Z4.102.0680.0](#) [500-1040](#) [500-1052](#) [500-1054](#) [ZP-4008-66L](#) [0709821002](#) [DX40-20P\(55\)](#) [5554841-1](#) [MS3474W18-8P-LC\\*](#) [SM3106F14S-7S-LC](#) [U90B3054061110](#) [U65-E04-4020](#) [ZPF000000000097891](#) [557-262M2-06C](#) [747360449](#) [10099439-003C-TRLF](#) [10137239-0021LF](#) [E9320-001-01](#)