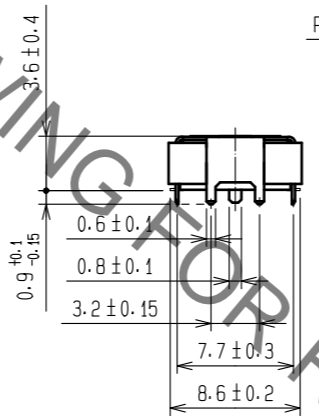
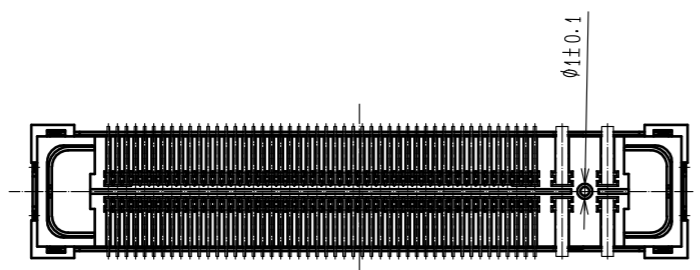
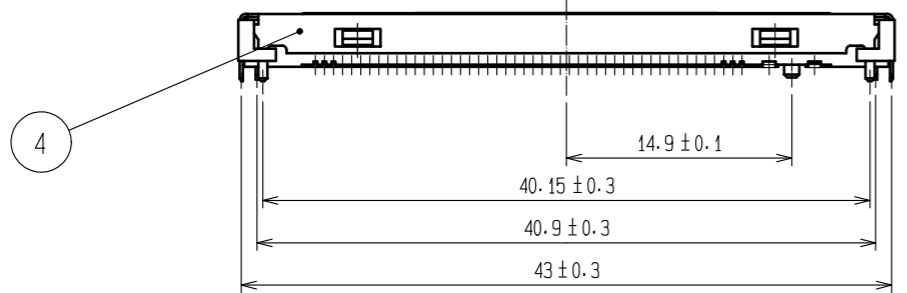
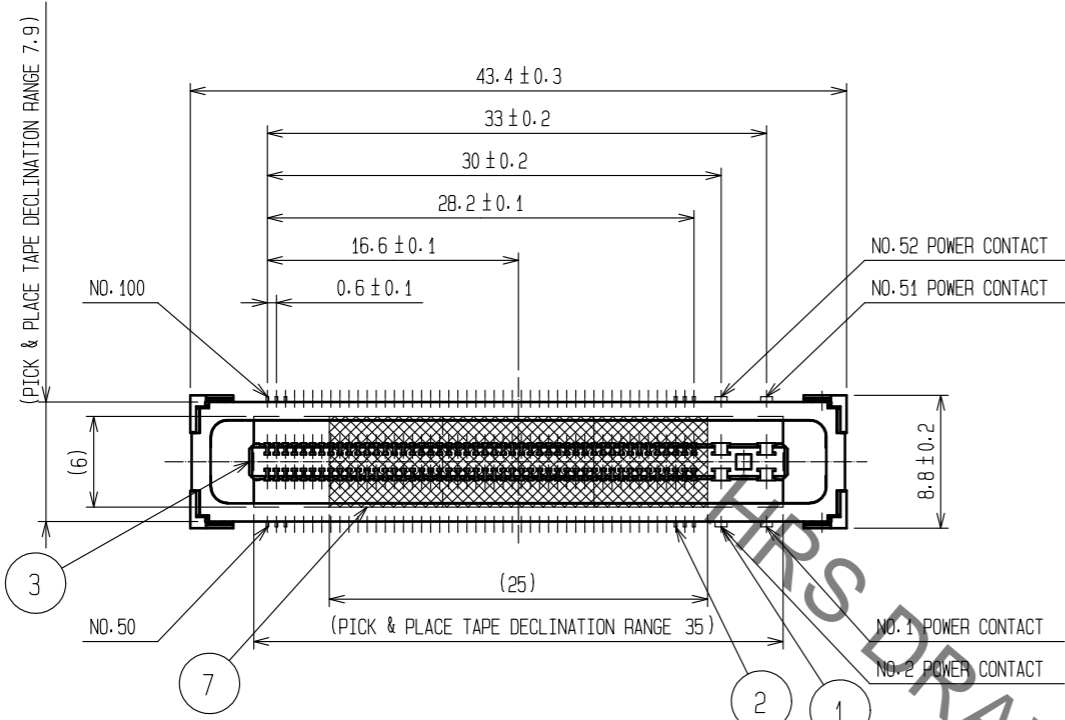
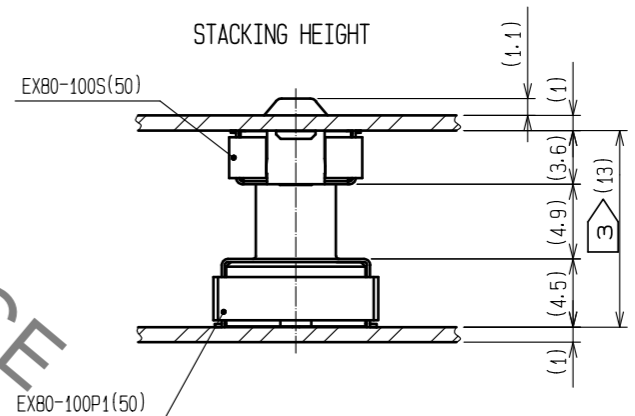
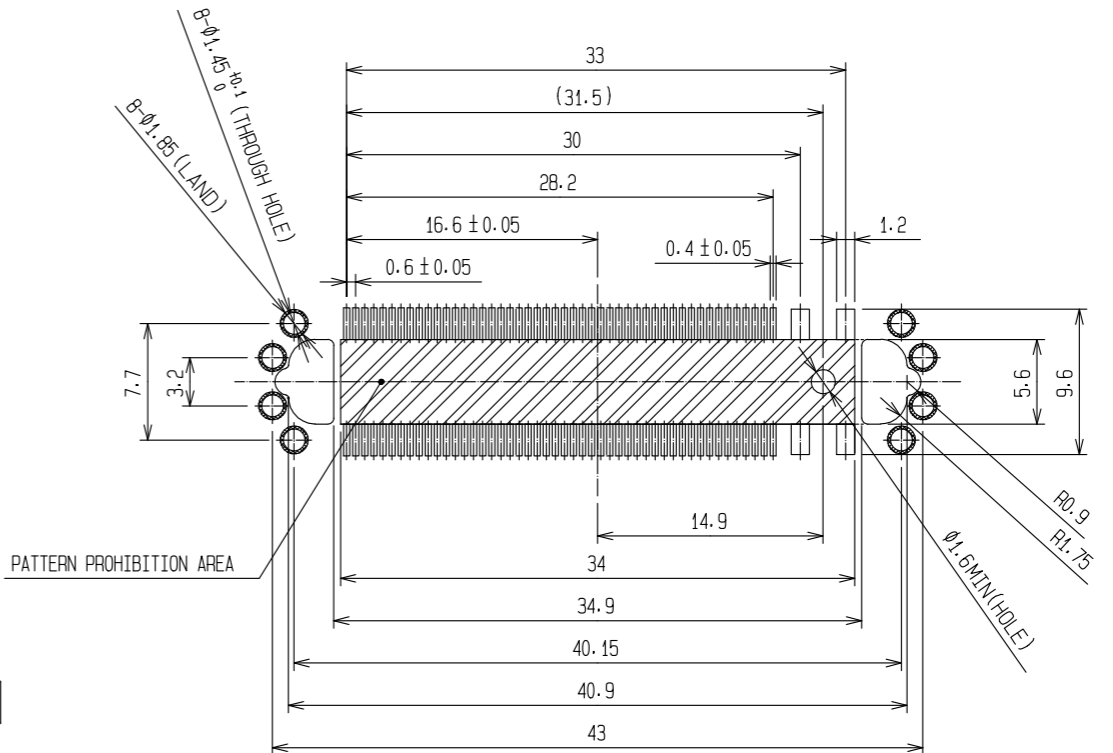


Aug.1.2020 Copyright 2020 HIROSE ELECTRIC CO., LTD. All Rights Reserved.  
In case of consideration for using Automotive equipment / device which demand high reliability, kindly contact our sales window correspondents.



RECOMMENDED PC BOARD PATTERN(AUTOMATIC MOUNTING)  
(COMPONENT MOUNTING SIDE:PCB t=1 MIN)

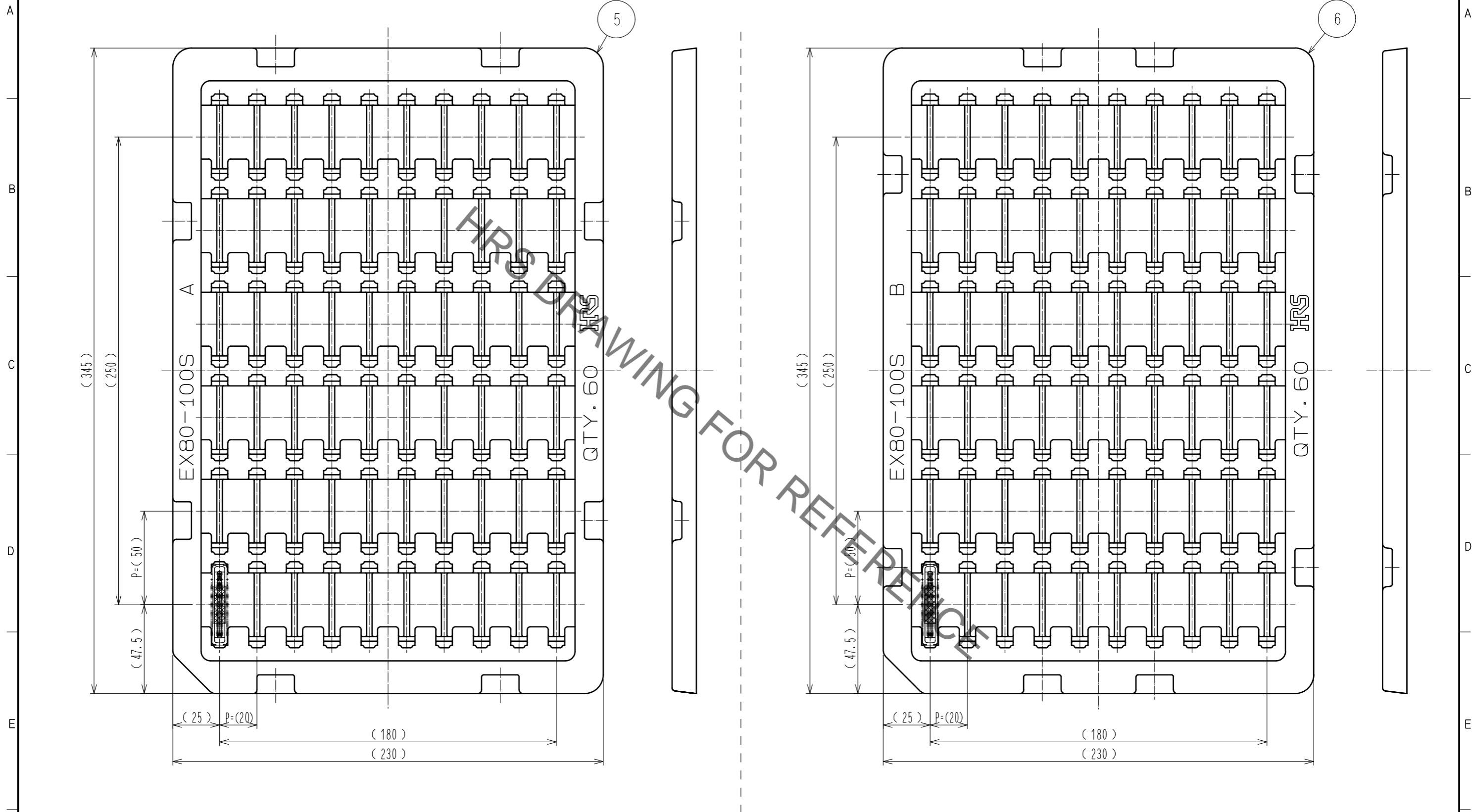


- NOTE 1 CONTACT CO-PLANARITY TO BE MAX 0.15.  
 2 TOLERANCES TO BE ±0.1 UNLESS OTHERWISE SPECIFIED.  
 3 DEVICE DESIGN SHALL CONSIDER THE STACKED HEIGHT TO BE 14.5mm MAX.  
 (RECOMMENDED STACKED HEIGHT IS 13.7mm MAX.)  
 4 CONTACT AREA :GOLD PLATING 0.2µm min  
 LEAD AREA :TIN COPPER PLATING 1µm min  
 THE OTHERS AREA:NICKEL PLATING 2µm min  
 5 DIP AREA :TIN COPPER 2µm min  
 THE OTHERS AREA:NICKEL PLATING 0.6µm min

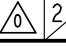
| 3                                 | LCP             | UL94V-0, BLACK  | 7                            | PICK & PLACE TAPE |                 |
|-----------------------------------|-----------------|-----------------|------------------------------|-------------------|-----------------|
| 2                                 | PHOSPHOR BRONZE | 4               | 6                            | PS                | MILKY-WHITE     |
| 1                                 | COPPER ALLOY    | 4               | 5                            | PS                | MILKY-WHITE     |
|                                   |                 |                 | 4                            | STAINLESS STEEL   | 5               |
| NO.                               | MATERIAL        | FINISH, REMARKS | NO.                          | MATERIAL          | FINISH, REMARKS |
| UNITS: mm                         |                 |                 | SCALE: 2:1                   |                   |                 |
| COUNT: 1                          |                 |                 | DESCRIPTION OF REVISIONS     |                   |                 |
| DESIGNED                          |                 |                 | CHECKED                      |                   |                 |
| DATE                              |                 |                 | DATE                         |                   |                 |
| APPROVED: NM. NISHIMATSU 15.10.27 |                 |                 | DRAWING NO. EDC-122485-30-00 |                   |                 |
| CHECKED: KN. ICHIKAWA 15.10.27    |                 |                 | PART NO. EX80-100S(30)       |                   |                 |
| DESIGNED: TS. ITO 15.10.27        |                 |                 | CODE NO. CL232-0592-2-30     |                   |                 |
| DRAWN: AK. AKIYAMA 15.10.27       |                 |                 | 1/2                          |                   |                 |

Aug.1.2020 Copyright 2020 HIROSE ELECTRIC CO., LTD. All Rights Reserved.  
 In case of consideration for using Automotive equipment / device which demand high reliability, kindly contact our sales window correspondents.

# EX80-100S PACKAGING FIGURE



NOTE 6 QUANTITY PER TRAY TO BE 60 PCS MAX.  
 ORDERING VOLUME TO BE MADE BY QUANTITY OF CONNECTOR.  
 7 A TYPE AND B TYPE TRAY PILED UP ONE AFTER ANOTHER.

|            |        |                  |   |
|------------|--------|------------------|---|
| <b>HRS</b> | 図番:    | EDC-122485-30-00 |  2/2 |
|            | 製品名:   | EX80-100S(30)    |   |
|            | 製品コード: | CL232-0592-2-30  |   |

## X-ON Electronics

Largest Supplier of Electrical and Electronic Components

*Click to view similar products for [I/O Connectors](#) category:*

*Click to view products by [Hirose](#) manufacturer:*

Other Similar products are found below :

[571763P](#) [58098-0628](#) [72.250.1628.2](#) [72.250.2428.2](#) [74720-0505](#) [76.350.0729.0](#) [76871-1403](#) [FCN-244F080-G/1](#) [FCN-260A9920](#) [MP-5T180MUNNA-005](#) [PCR-E36PM](#) [PCS-XE26MA+](#) [G38A71314B](#) [1571250010](#) [157-22500-3](#) [MS3471L14-19P L/C](#) [192991-0703](#) [172501-4002](#) [172501-6002](#) [FCN-260C008-A/L0](#) [FCN-260C024-AL0](#) [FCN-261Z008](#) [2000314-1](#) [200331-1](#) [PCR-E36FC+](#) [PCS-E28FS+](#) [PCS-XE26SLFD+](#) [PCS-XE26SLFDT+](#) [G730VID08BDC24](#) [HDR-E14MSG1+](#) [U90B2054081210](#) [UE86K842720321](#) [38113800006](#)  
[DP3AR020WQ1R200](#) [Z4.102.0680.0](#) [500-1040](#) [500-1052](#) [500-1054](#) [ZP-4008-66L](#) [0709821002](#) [DX40-20P\(55\)](#) [5554841-1](#) [MS3474W18-8P-LC\\*](#) [SM3106F14S-7S-LC](#) [U90B3054061110](#) [U65-E04-4020](#) [ZPF000000000097891](#) [557-262M2-06C](#) [747360449](#) [10099439-003C-TRLF](#)