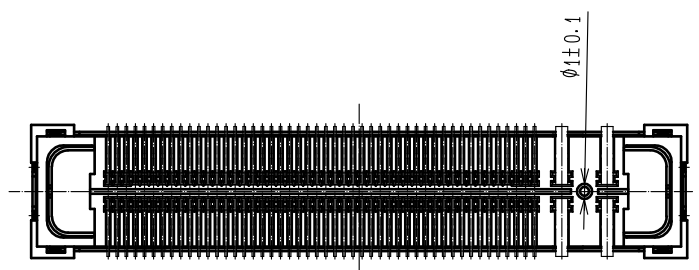
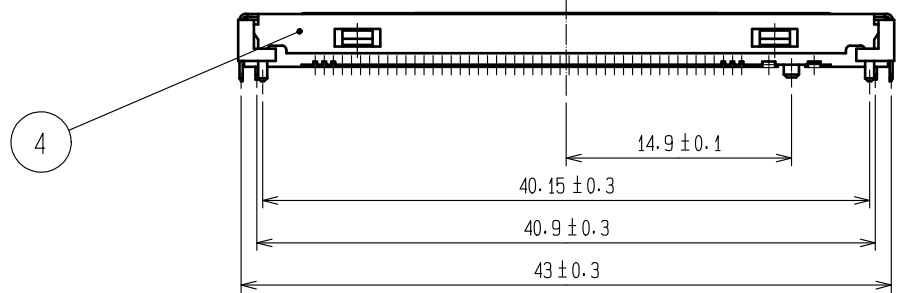
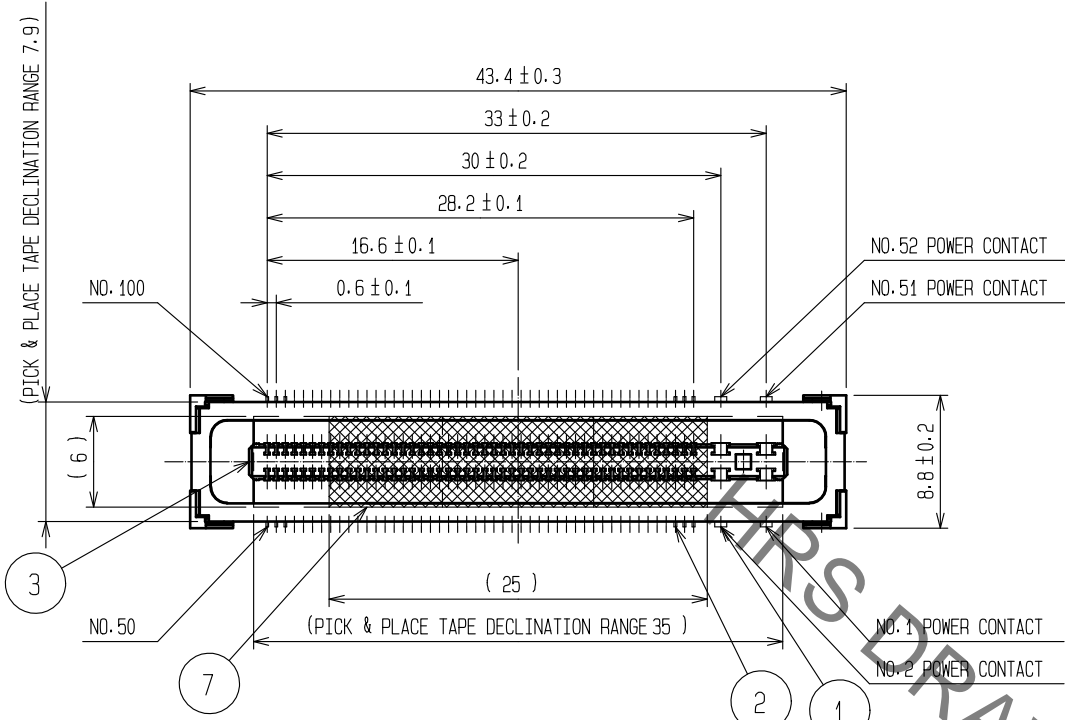
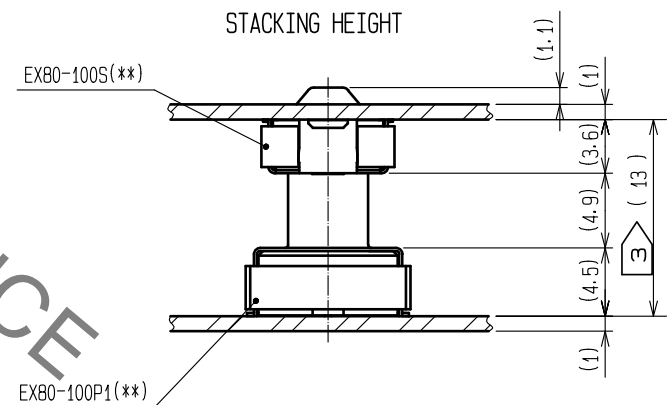
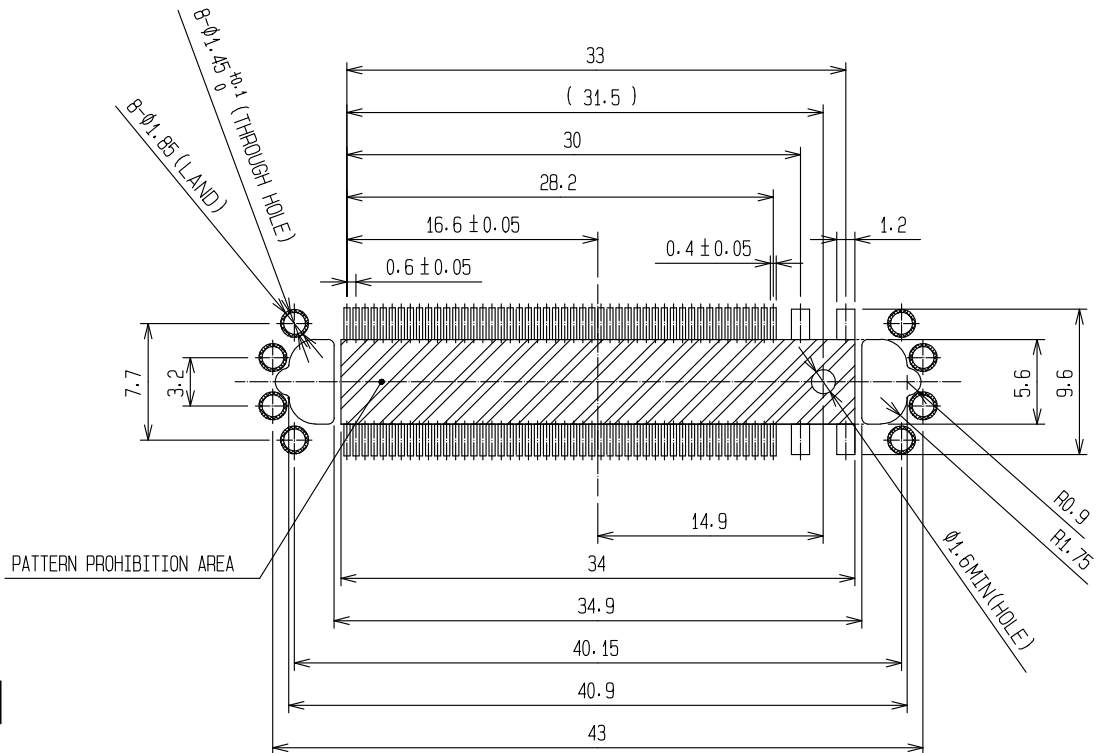


Jan.1.2022 Copyright 2022 HIROSE ELECTRIC CO., LTD. All Rights Reserved.
In case of consideration for using Automotive equipment / device which demand high reliability, kindly contact our sales window correspondents.



- NOTE 1 CONTACT CO-PLANARITY TO BE MAX 0.15.
 2 TOLERANCES TO BE ±0.1 UNLESS OTHERWISE SPECIFIED.
 3 DEVICE DESIGN SHALL CONSIDER THE STACKED HEIGHT TO BE 14.5mm MAX.
 (RECOMMENDED STACKED HEIGHT IS 13.7mm MAX.)
 4 CONTACT AREA :GOLD PLATING 0.2μm min
 LEAD AREA :GOLD PLATING 0.03μm min
 UNDER :NICKEL PLATING 2μm min
 5 DIP AREA :TIN PLATING 1μm min
 UNDER :NICKEL PLATING 0.6μm min

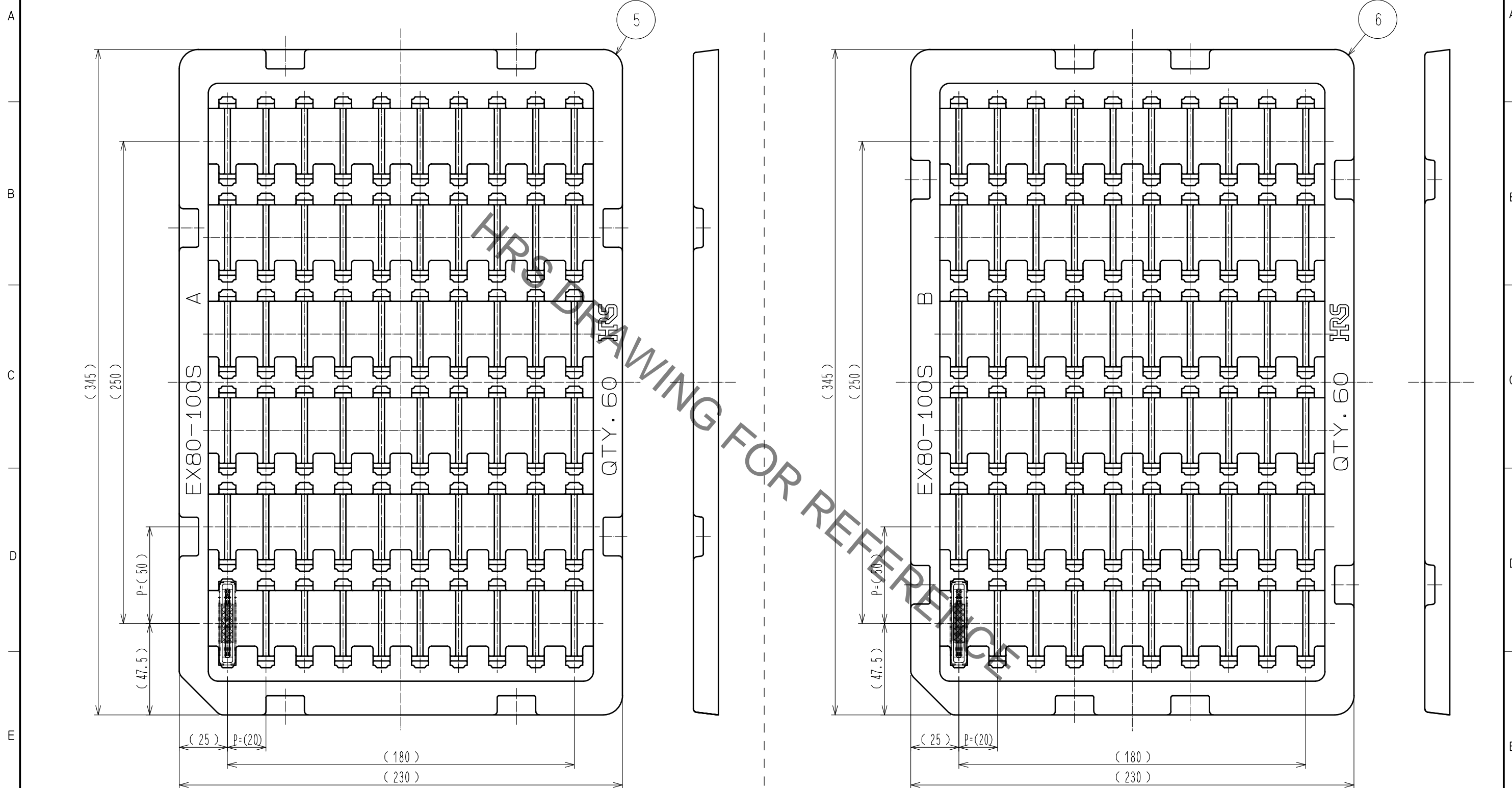
RECOMMENDED PC BOARD PATTERN(AUTOMATIC MOUNTING)
 (COMPONENT MOUNTING SIDE:PCB t=1 MIN)



3	LCP	UL94V-0, Black	7	Pick & Place tape	
2	Phosphor Bronze	4	6	PS	Milky-white
1	Copper Alloy	4	5	PS	Milky-white
			4	Stainless Steel	5
NO.	MATERIAL	FINISH, REMARKS	NO.	MATERIAL	FINISH, REMARKS
UNITS	mm	SCALE	2 : 1	COUNT	1
DESCRIPTION OF REVISIONS			DESIGNED	CHECKED	
DIS-E-00004011			MO. SHIMOYAMA	TU. TANIGUCHI	
DATE			20210120		
APPROVED : MN. KENJO 20200407			DRAWING NO. EDC-122485-70-00		
CHECKED : TU. TANIGUCHI 20200407			PART NO. EX80-100S(70)		
DESIGNED : KIM JAEHYEON 20200407			CODE NO. CL0232-0592-2-70		
DRAWN : DS. HIROWATARI 20200407			1/2		

Jan.1.2022 Copyright 2022 HIROSE ELECTRIC CO., LTD. All Rights Reserved.
In case of consideration for using Automotive equipment / device which demand high reliability, kindly contact our sales window correspondents.

EX80-100S PACKAGING FIGURE



NOTE 6 QUANTITY PER TRAY TO BE 60 PCS MAX.
ORDERING VOLUME TO BE MADE BY QUANTITY OF CONNECTOR.
7 A TYPE AND B TYPE TRAY PILED UP ONE AFTER ANOTHER.

HRS	DRAWING NO.	EDC-122485-70-00
	PART NO.	EX80-100S(70)
	CODE NO.	CL0232-0592-2-70
		2/2

X-ON Electronics

Largest Supplier of Electrical and Electronic Components

Click to view similar products for [I/O Connectors](#) category:

Click to view products by [Hirose](#) manufacturer:

Other Similar products are found below :

[571763P](#) [61-168618-12P](#) [D20419-211](#) [72.250.1628.2](#) [72.250.2428.2](#) [76.350.0729.0](#) [76871-1403](#) [PCR-E36PM](#) [PCS-XE26LKA](#) [PCS-XES68MS+](#) [G38A71314B](#) [9776-18-6](#) [DX40-50P\(55\)](#) [1571250010](#) [157-22500-3](#) [MS3471L14-19P L/C](#) [192991-0703](#) [91-569786-35H](#) [FCN-260C008-A/L0](#) [FCN-260C024-AL0](#) [FCN-261Z008](#) [2000314-1](#) [200331-1](#) [PCS-E28FS+](#) [PCS-XE26SLFD+](#) [PCS-XE26SLFDT+](#) [G730VID08BDC24](#) [HDMR-29-01-S-SM-TR](#) [HDRA-E68W1LFDTC-SL+](#) [54182-0605](#) [U90B2054081210](#) [UE86K842720321](#) [38113800006](#) [Z4.102.0680.0](#) [500-1040](#) [500-1052](#) [500-1054](#) [ZP-4008-66L](#) [DX40-20P\(55\)](#) [5554841-1](#) [SM3100F14S-12P](#) [SM3106F14S-7S-LC](#) [SM3106R18-18S](#) [U90B3054061110](#) [U65-E04-4020](#) [557-262M2-06C](#) [60-042222-02S](#) [10099439-003C-TRLF](#) [226-0348-000](#) [10137239-0021LF](#)