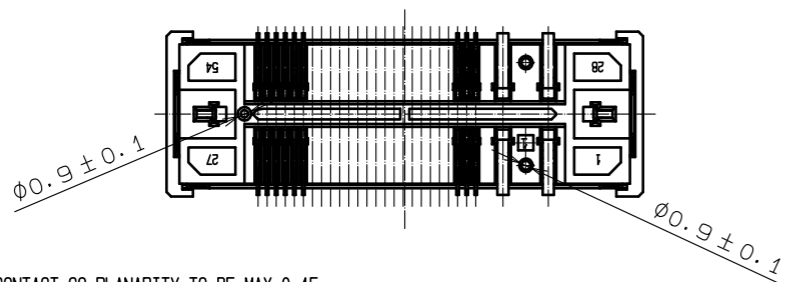
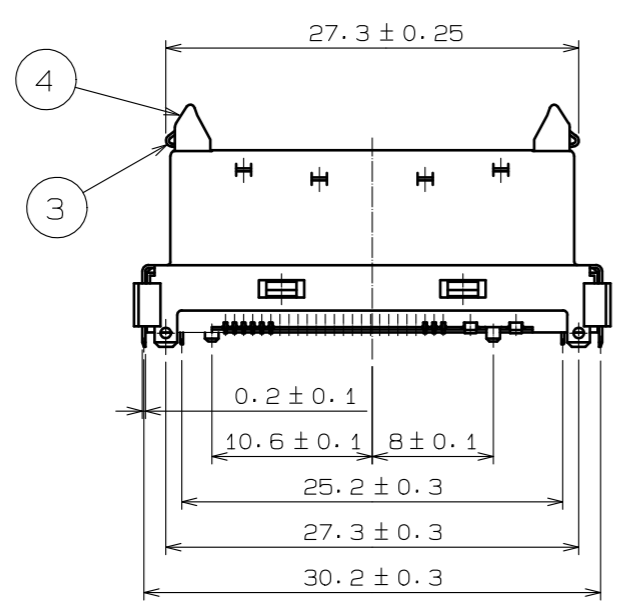
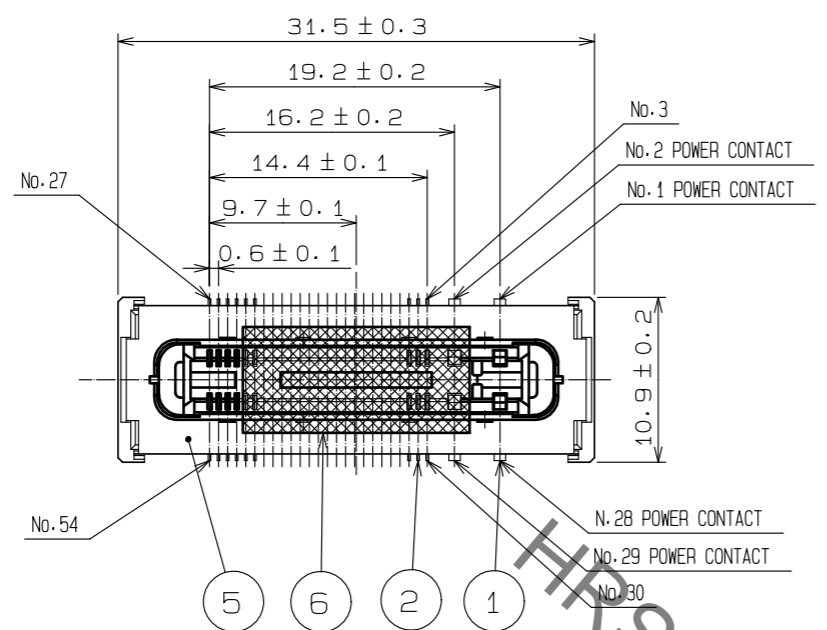
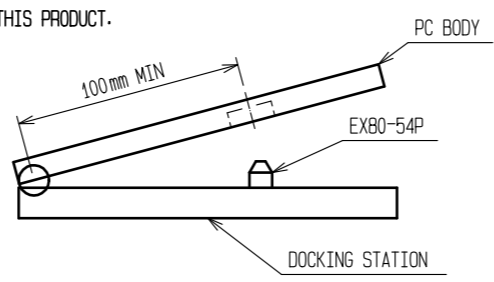


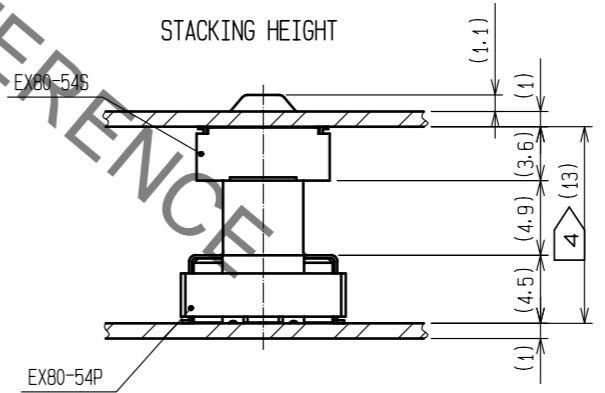
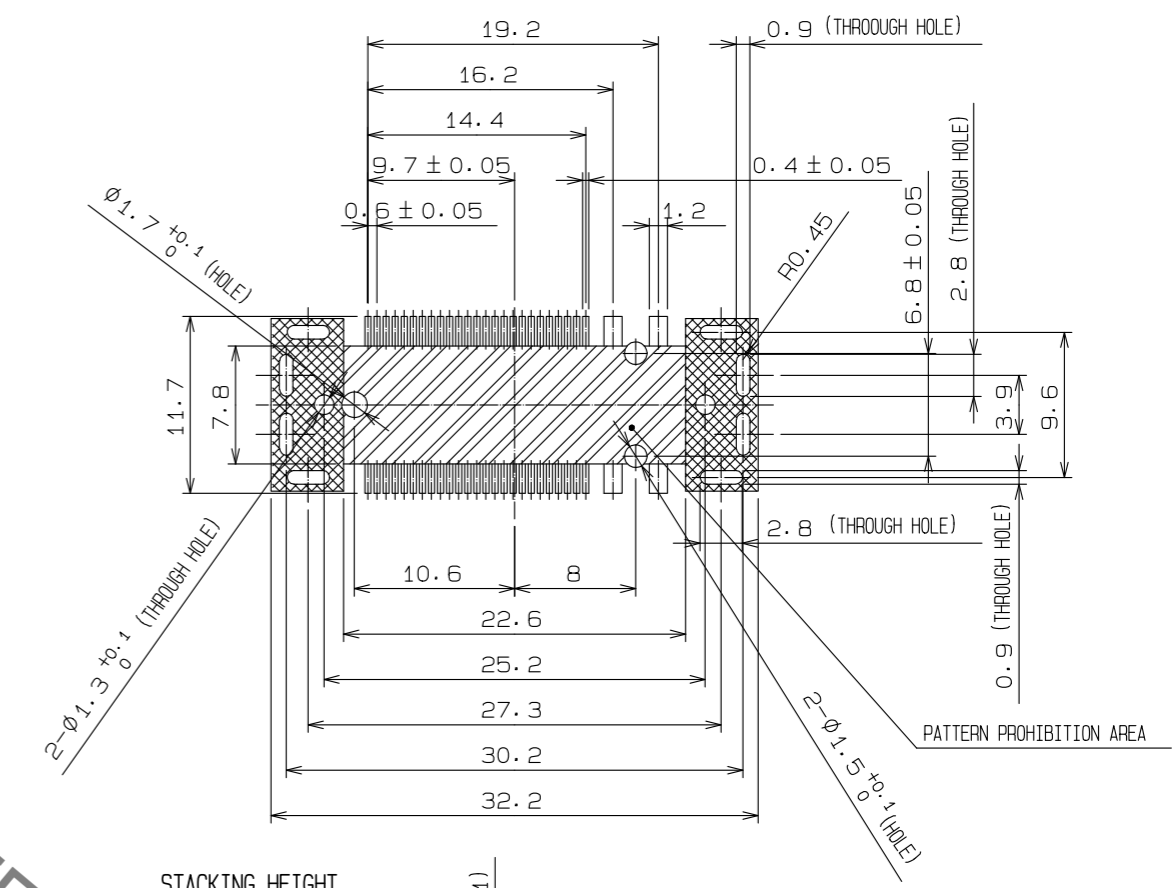
Aug.1.2020 Copyright 2020 HIROSE ELECTRIC CO., LTD. All Rights Reserved.
In case of consideration for using Automotive equipment / device which demand high reliability, kindly contact our sales window correspondents.



- NOTE 1 CONTACT CO-PLANARITY TO BE MAX 0.15.
 2 TOLERANCES TO BE ± 0.1 UNLESS OTHERWISE SPECIFIED.
 3 POWER CONTACT No. 1, 2, 28, 29 TO BE 0.3 mm LONGER SEGMENTAL STRUCTURE THAN OTHER SIGNAL CONTACTS.
 4 DEVICE DESIGN SHALL CONSIDER THE STACKED HEIGHT TO BE 14.5mm MAX. (RECOMMENDED STACKED HEIGHT IS 13.7mm MAX.)
 5 APPLY FLOATING STRUCTURE (WITHIN 0.7mm) TO DEVICES FOR THE ATTACHMENT OF THIS PRODUCT.
 6 MATING GUIDE IS REQUIRED ON THE DEVICE.
 7 100mm MIN. OF TURNING-RADIUS IS REQUIRED FOR THE ROTATE-AND-MATE PC BODY TO DOCKING STATION.



RECOMMENDED PC BOARD PATTERN (AUTOMATIC MOUNTING)
 (COMPONENT MOUNTING SIDE : PCB t=1 MIN)



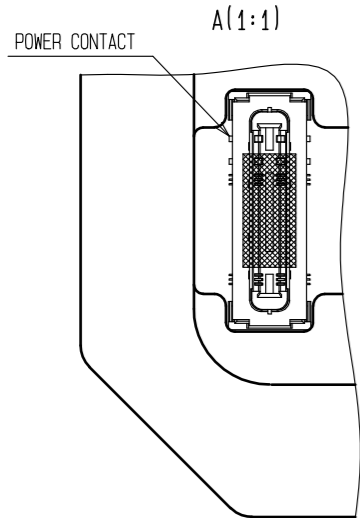
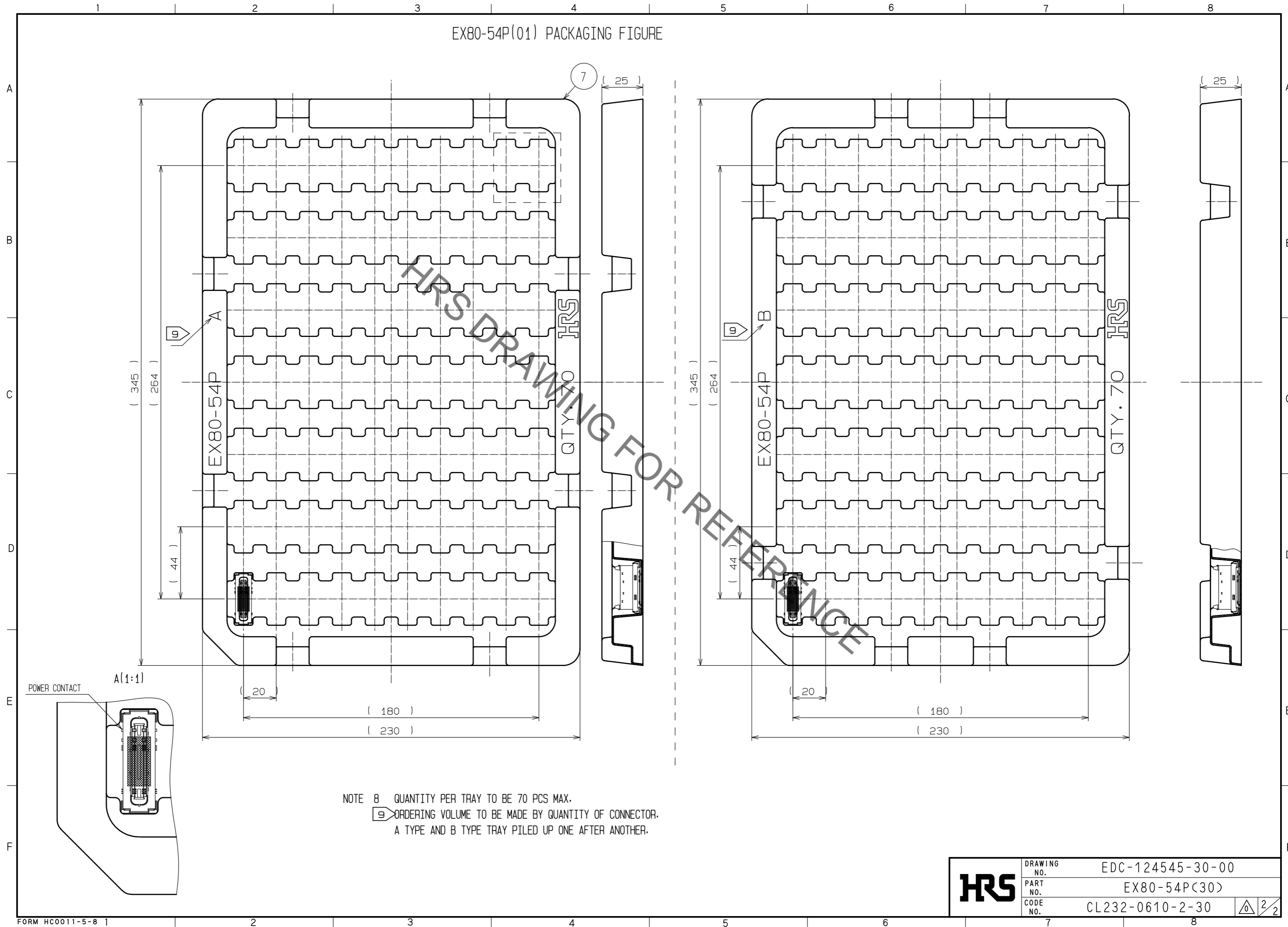
NO.	MATERIAL	FINISH . REMARKS	NO.	MATERIAL	FINISH . REMARKS
3	PHOSPHOR BRONZE	SELECTIVE NICKEL PLATING+ TIN-COPPER PLATING	7	PS	
2	COPPER ALLOY	SELECTIVE GOLD PLATING+ TIN-COPPER PLATING	6	PICK & PLACE TAPE	
1	COPPER ALLOY	SELECTIVE GOLD PLATING+ TIN-COPPER PLATING	5	STAINLESS STEEL	NICKEL PLATING+ TIN-COPPER PLATING
			4	LCP	UL94V-0. BLACK

UNITS	SCALE	COUNT	DESCRIPTION OF REVISIONS	DESIGNED	CHECKED	DATE
mm	2 : 1	△	APPROVED : NM. NISHIMATSU 15.10.27			
			CHECKED : KN. ICHIKAWA 15.10.27			
			DESIGNED : TS. ITO 15.10.27			
			DRAWN : AK. AKIYAMA 15.10.27			

DRAWING NO.	PART NO.	CODE NO.
EDC-124545-30-00	EX80-54P(30)	CL232-0610-2-30

Aug.1.2020 Copyright 2020 HIROSE ELECTRIC CO., LTD. All Rights Reserved.
 In case of consideration for using Automotive equipment / device which demand high reliability, kindly contact our sales window correspondents.

EX80-54P(01) PACKAGING FIGURE



HRS	DRAWING NO.	EDC-124545-30-00	2/2
	PART NO.	EX80-54P(30)	
	CODE NO.	CL232-0610-2-30	

X-ON Electronics

Largest Supplier of Electrical and Electronic Components

Click to view similar products for [I/O Connectors](#) category:

Click to view products by [Hirose](#) manufacturer:

Other Similar products are found below :

[571763P](#) [58098-0628](#) [72.250.1628.2](#) [72.250.2428.2](#) [74720-0505](#) [76.350.0729.0](#) [76871-1403](#) [FCN-244F080-G/1](#) [FCN-260A9920](#) [MP-5T180MUNNA-005](#) [PCR-E36PM](#) [PCS-XE26MA+](#) [G38A71314B](#) [1571250010](#) [157-22500-3](#) [MS3471L14-19P L/C](#) [192991-0703](#) [172501-4002](#) [172501-6002](#) [FCN-260C008-A/L0](#) [FCN-260C024-AL0](#) [FCN-261Z008](#) [2000314-1](#) [200331-1](#) [PCR-E36FC+](#) [PCS-E28FS+](#) [PCS-XE26SLFD+](#) [PCS-XE26SLFDT+](#) [G730VID08BDC24](#) [HDR-E14MSG1+](#) [U90B2054081210](#) [UE86K842720321](#) [38113800006](#)
[DP3AR020WQ1R200](#) [Z4.102.0680.0](#) [500-1040](#) [500-1052](#) [500-1054](#) [ZP-4008-66L](#) [0709821002](#) [DX40-20P\(55\)](#) [5554841-1](#) [MS3474W18-8P-LC*](#) [SM3106F14S-7S-LC](#) [U90B3054061110](#) [U65-E04-4020](#) [ZPF000000000097891](#) [557-262M2-06C](#) [747360449](#) [10099439-003C-TRLF](#)