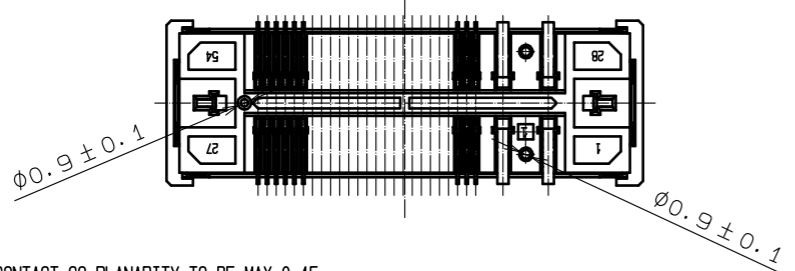
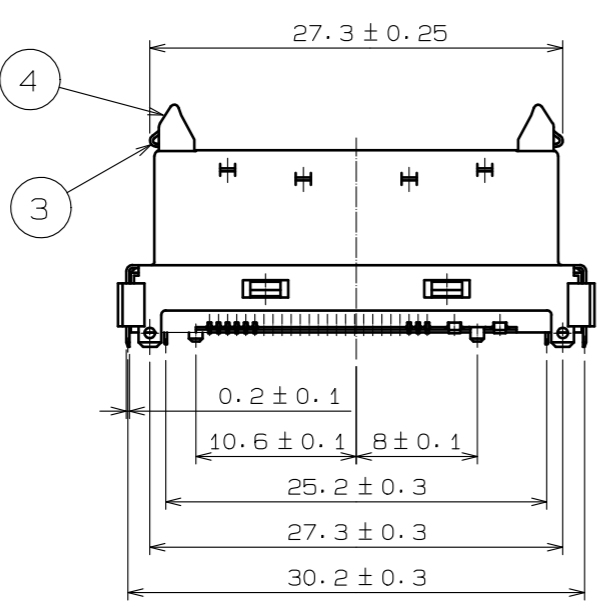
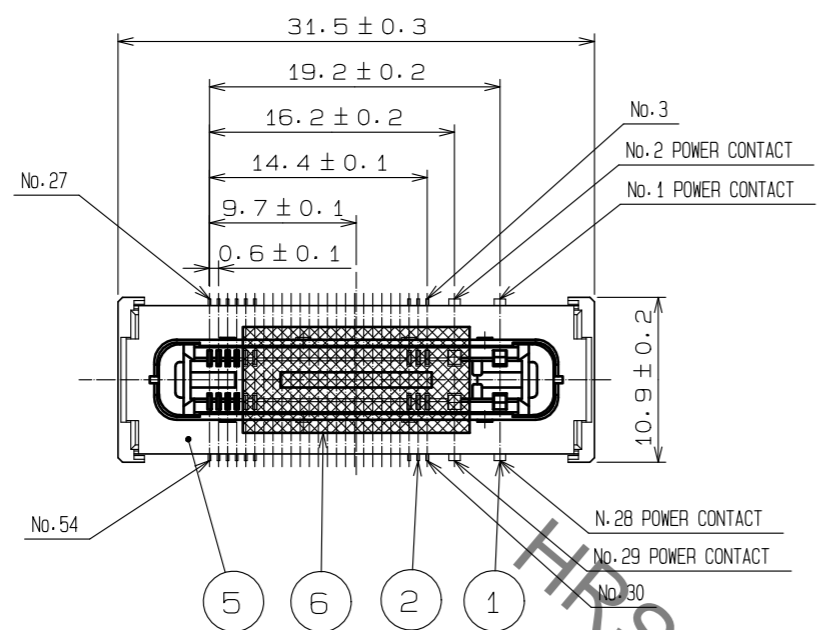
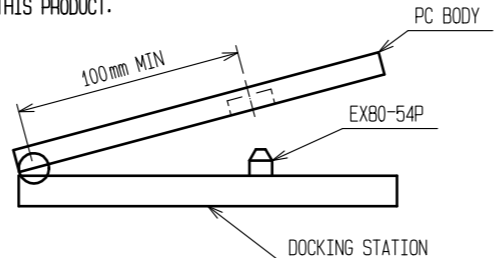


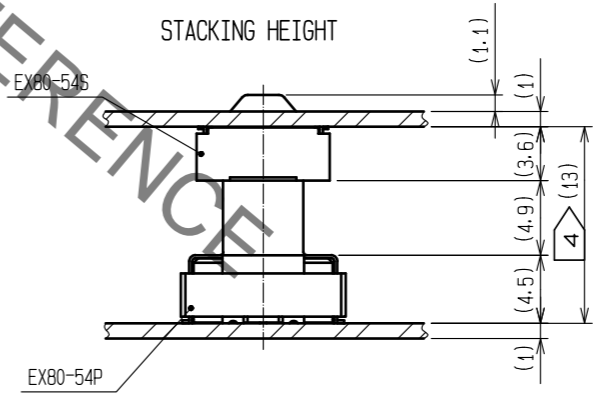
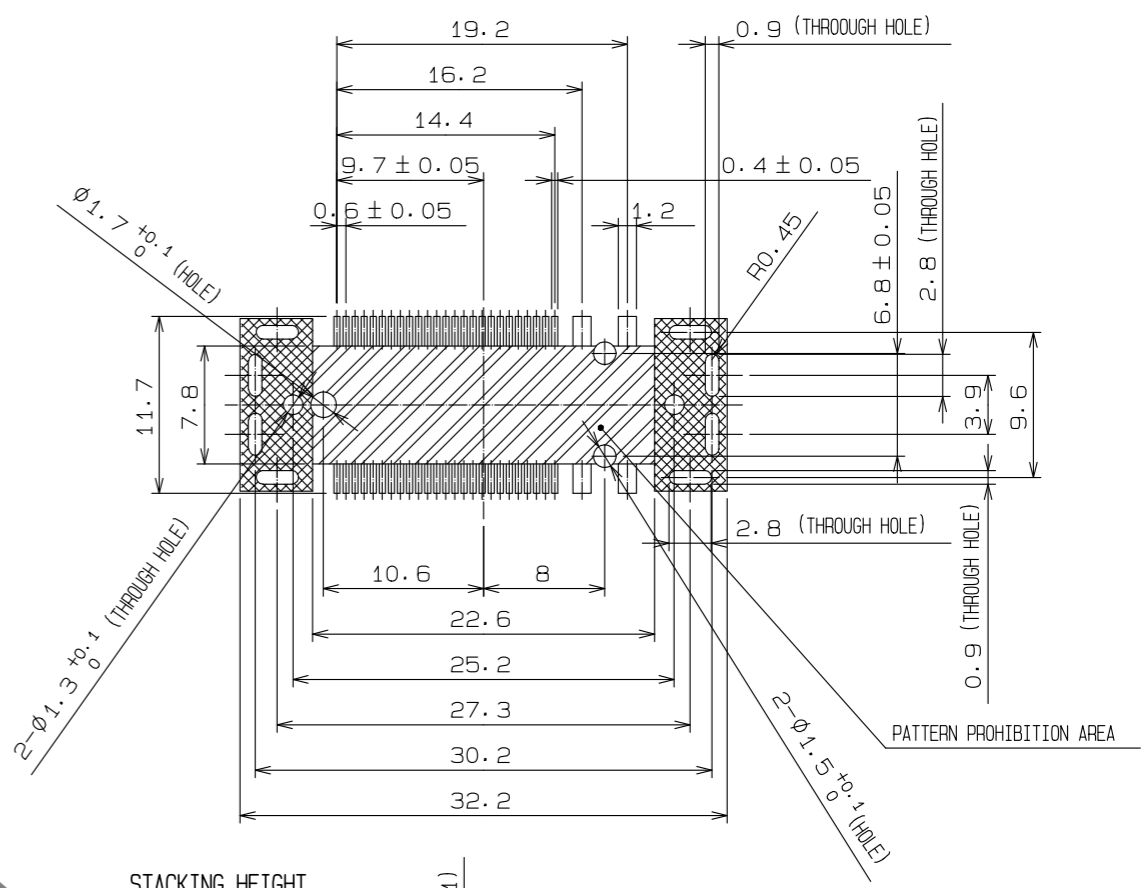
Jan.1.2022 Copyright 2022 HIROSE ELECTRIC CO., LTD. All Rights Reserved.  
In case of consideration for using Automotive equipment / device which demand high reliability, kindly contact our sales window correspondents.



- NOTE 1 CONTACT CO-PLANARITY TO BE MAX 0.15.  
 2 TOLERANCES TO BE ± 0.1 UNLESS OTHERWISE SPECIFIED.  
 3 POWER CONTACT No. 1, 2, 28, 29 TO BE 0.3 mm LONGER SEQUENTIAL STRUCTURE THAN OTHER SIGNAL CONTACTS.  
 4 DEVICE DESIGN SHALL CONSIDER THE STACKED HEIGHT TO BE 14.5mm MAX. (RECOMMENDED STACKED HEIGHT IS 13.7mm MAX.)  
 5 APPLY FLOATING STRUCTURE (WITHIN 0.7mm) TO DEVICES FOR THE ATTACHMENT OF THIS PRODUCT.  
 6 MATING GUIDE IS REQUIRED ON THE DEVICE.  
 7 100mm MIN. OF TURNING-RADIUS IS REQUIRED FOR THE ROTATE-AND-MATE PC BODY TO DOCKING STATION.



RECOMMENDED PC BOARD PATTERN (AUTOMATIC MOUNTING)  
 (COMPONENT MOUNTING SIDE : PCB t=1 MIN)



NO.	MATERIAL	FINISH . REMARKS	NO.	MATERIAL	FINISH . REMARKS
3	Phosphor Bronze	Dip area : gold plating 0.03μm min Under : nickel plating 2μm min	7	PS	
2	Copper Alloy	Contact area: gold plating 0.5μm min Lead area : gold plating 0.03μm min Under : nickel plating 2μm min	6	Pick & Place Tape	
1	Copper Alloy	Contact area: gold plating 0.5μm min Lead area : gold plating 0.03μm min Under : nickel plating 2μm min	5	Stainless Steel	Dip area: tin plating 1μm min Under : nickel plating 0.6μm min
			4	LCP	UL94V-0, Black

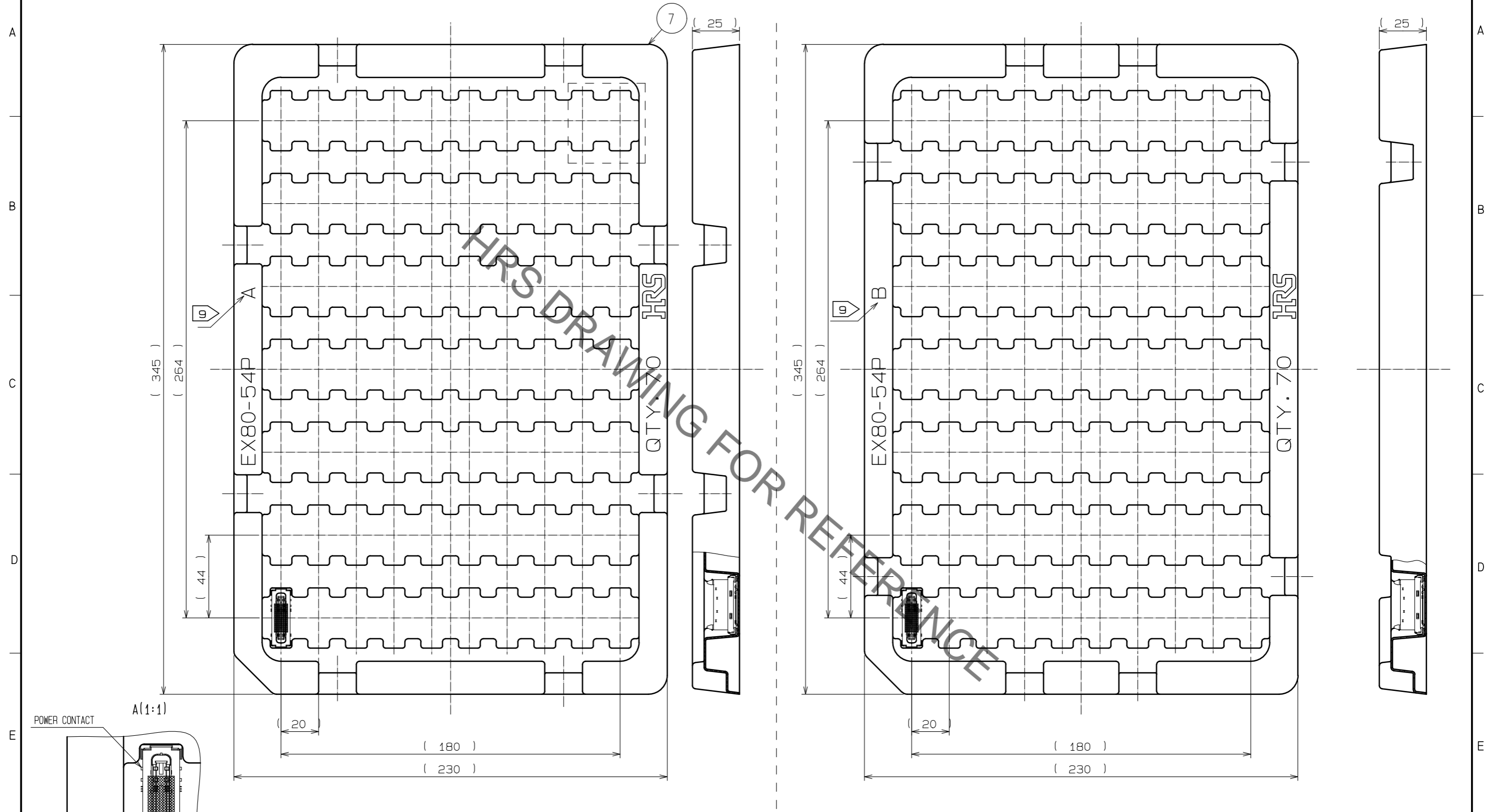
UNITS	SCALE	COUNT	DESCRIPTION OF REVISIONS	DESIGNED	CHECKED	DATE
mm	2 : 1	1	DIS-E-00004011	MO. SHIMUYAMA	TU. TANIGUCHI	20210120

APPROVED	CHECKED	DESIGNED	DRAWN	DRAWING NO.	PART NO.	CODE NO.
MN. KENJO 20200407	TU. TANIGUCHI 20200407	KIM JAEHYEON 20200407	DS. HIROWATARI 20200407	EDC-124545-70-00	EX80-54P(70)	CL0232-0610-2-70

Jan.1.2022 Copyright 2022 HIROSE ELECTRIC CO., LTD. All Rights Reserved.  
 In case of consideration for using Automotive equipment / device which demand high reliability, kindly contact our sales window correspondents.

EX80-54P PACKAGING FIGURE



NOTE 8 QUANTITY PER TRAY TO BE 70 PCS MAX.  
 9 ORDERING VOLUME TO BE MADE BY QUANTITY OF CONNECTOR.  
 A TYPE AND B TYPE TRAY PILED UP ONE AFTER ANOTHER.

<b>HRS</b>	DRAWING NO.	EDC-124545-70-00	
	PART NO.	EX80-54P(70)	
	CODE NO.	CL0232-0610-2-70	

## X-ON Electronics

Largest Supplier of Electrical and Electronic Components

*Click to view similar products for [I/O Connectors](#) category:*

*Click to view products by [Hirose](#) manufacturer:*

Other Similar products are found below :

[571763P](#) [D20419-211](#) [72.250.1628.2](#) [72.250.2428.2](#) [74720-0505](#) [76.350.0729.0](#) [76871-1403](#) [FCN-244F080-G/1](#) [FCN-260A9920](#) [MP-5T180MUNNA-005](#) [PCR-E36PM](#) [PCS-XE26MA+](#) [G38A71314B](#) [1571250010](#) [157-22500-3](#) [MS3471L14-19P L/C](#) [172501-4002](#) [172501-6002](#) [FCN-260C008-A/L0](#) [FCN-260C024-AL0](#) [FCN-261Z008](#) [2000314-1](#) [200331-1](#) [PCR-E36FC+](#) [PCS-E28FS+](#) [PCS-XE26SLFD+](#) [PCS-XE26SLFDT+](#) [G730VID08BDC24](#) [HDMR-29-01-S-SM-TR](#) [U90B2054081210](#) [UE86K842720321](#) [38113800006](#) [DP3AR020WQ1R200](#) [Z4.102.0680.0](#) [500-1040](#) [500-1052](#) [500-1054](#) [ZP-4008-66L](#) [0709821002](#) [5554841-1](#) [U90B3054061110](#) [U65-E04-4020](#) [ZPF00000000097891](#) [557-262M2-06C](#) [747360449](#) [10099439-003C-TRLF](#) [10137239-0021LF](#) [E9320-001-01](#) [10137239-0011LF](#) [70289-001LF](#)