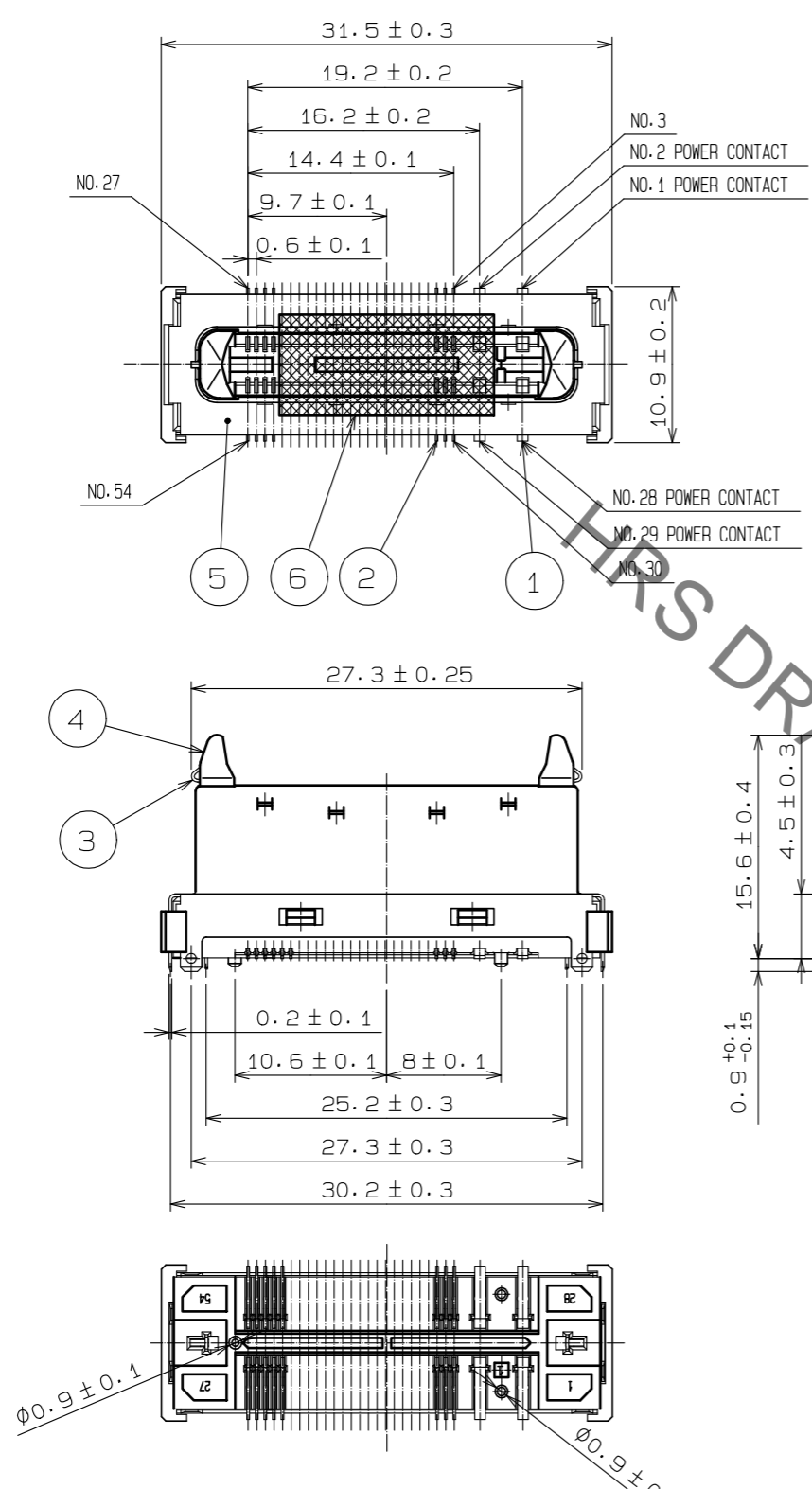
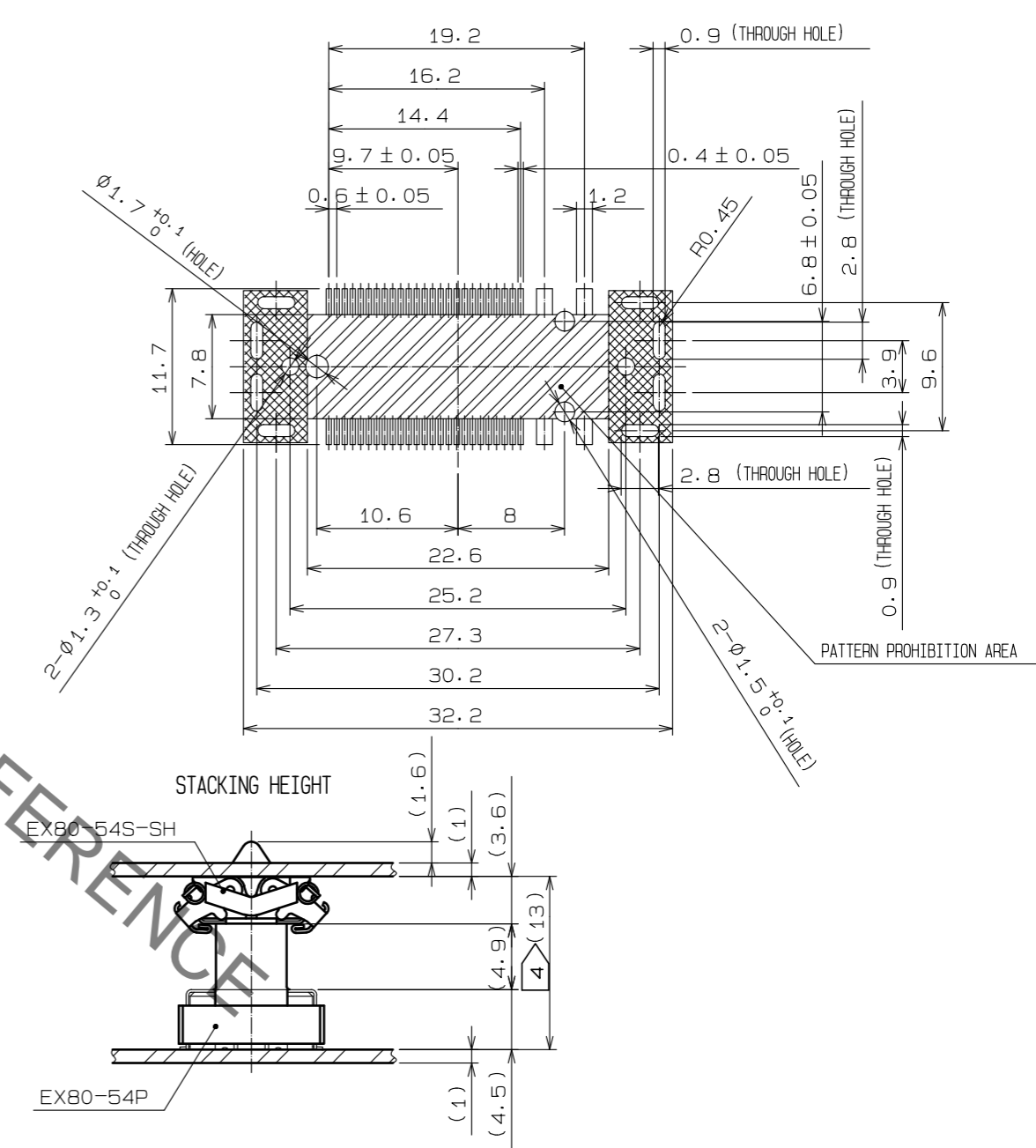


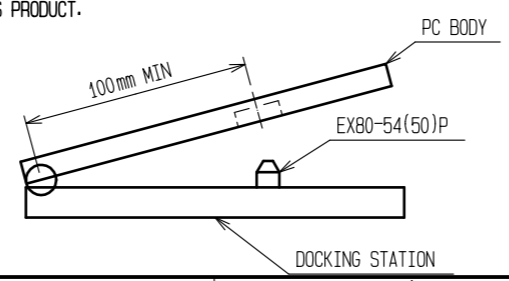
Aug.1.2020 Copyright 2020 HIROSE ELECTRIC CO., LTD. All Rights Reserved.  
In case of consideration for using Automotive equipment / device which demand high reliability, kindly contact our sales window correspondents.



RECOMMENDED PC BOARD PATTERN (AUTOMATIC MOUNTING)  
(COMPONENT MOUNTING SIDE : PCB t=1 MIN)



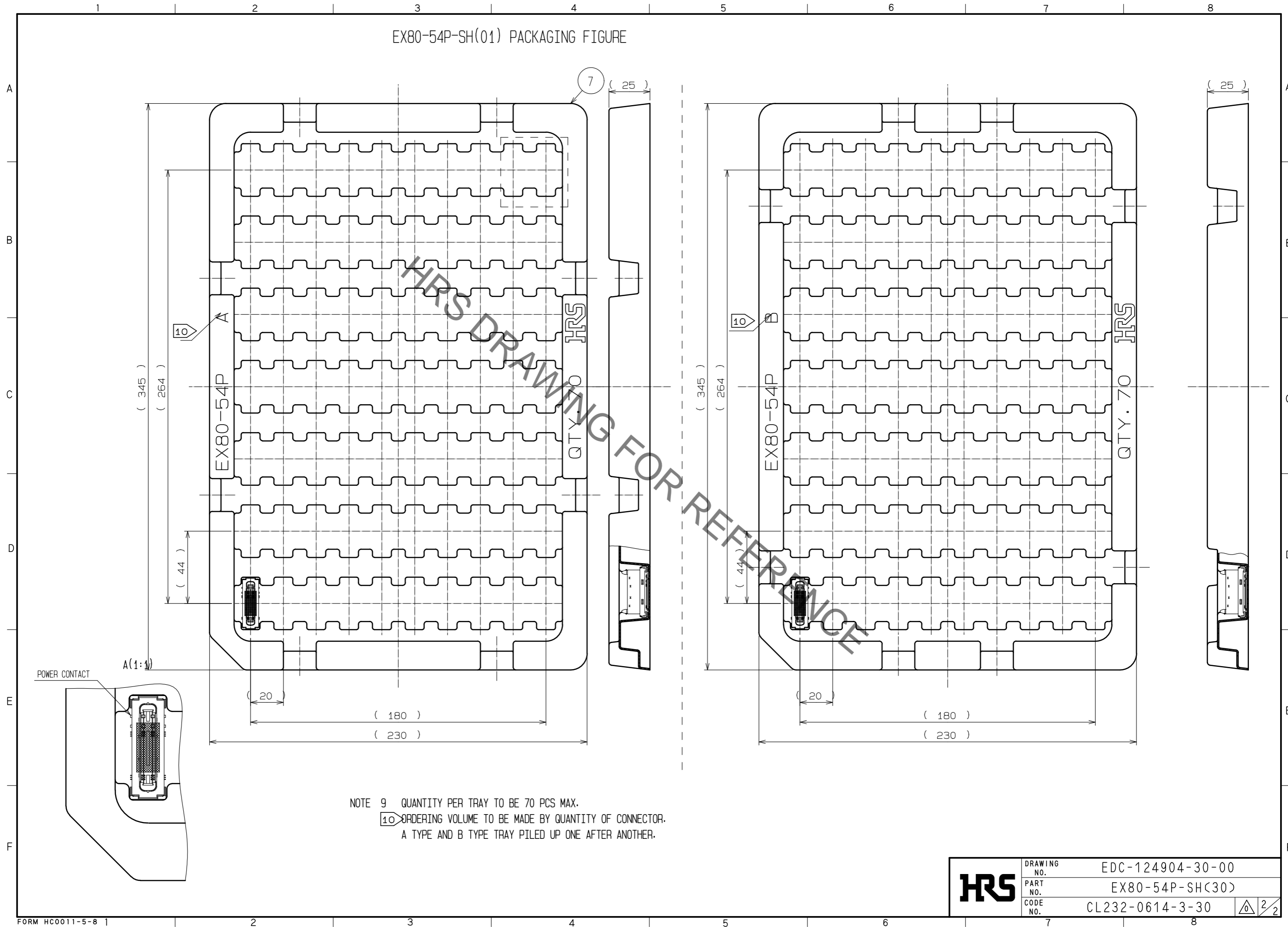
- NOTE 1 CONTACT CO-PLANARITY TO BE MAX 0.15.  
 2 TOLERANCES TO BE ±0.1 UNLESS OTHERWISE SPECIFIED.  
 3 POWER CONTACT No.1 TO BE 0.3 (mm) LONGER SEQUENTIAL STRUCTURE THAN OTHER SIGNAL CONTACTS.  
 4 DEVICE DESIGN SHALL CONSIDER THE STACKED HEIGHT TO BE 14.5mm MAX. (RECOMMENDED STACKED HEIGHT IS 13.7mm MAX.)  
 5 APPLY FLOATING STRUCTURE(WITHIN 0.7mm) TO DEVICES FOR THE ATTACHING OF THIS PRODUCT.  
 6 MATING GUIDE IS REQUIRED ON THE DEVICE.  
 7 MATING CONNECTOR:EX80-54S-SH CL232-0615-6  
 8 100mm MIN. OF TURNING-RADIUS IS REQUIRED FOR THE ROTATE-AND-MATE PC BODY TO DOCKING STATION.



3	PHOSPHOR BRONZE	SELECTIVE NICKEL PLATING+ TIN-COPPER PLATING	7	PS	
2	COPPER ALLOY	SELECTIVE GOLD PLATING+ TIN-COPPER PLATING	6	PICK & PLACE TAPE	
1	COPPER ALLOY	SELECTIVE GOLD PLATING+ TIN-COPPER PLATING	5	STAINLESS STEEL	NICKEL PLATING+ TIN-COPPER PLATING
			4	LCP	UL94V-0. BLACK
NO.	MATERIAL	FINISH . REMARKS	NO.	MATERIAL	FINISH . REMARKS
UNITS	mm	SCALE	2 : 1	COUNT	DESCRIPTION OF REVISIONS
		APPROVED	: NM. NISHIMATSU	15.10.27	DRAWING NO.
		CHECKED	: KN. ICHIKAWA	15.10.27	PART NO.
		DESIGNED	: TS. ITO	15.10.27	CODE NO.
		DRAWN	: AK. AKIYAMA	15.10.27	CL232-0614-3-30
			DESIGNED		
			CHECKED		
			DATE		
			EDC-124904-30-00		
			EX80-54P-SH(30)		
			1/2		

Aug.1.2020 Copyright 2020 HIROSE ELECTRIC CO., LTD. All Rights Reserved.  
In case of consideration for using Automotive equipment / device which demand high reliability, kindly contact our sales window correspondents.

EX80-54P-SH(01) PACKAGING FIGURE



NOTE 9 QUANTITY PER TRAY TO BE 70 PCS MAX.  
10 ORDERING VOLUME TO BE MADE BY QUANTITY OF CONNECTOR.  
A TYPE AND B TYPE TRAY PILED UP ONE AFTER ANOTHER.

<b>HRS</b>	DRAWING NO.	EDC-124904-30-00
	PART NO.	EX80-54P-SH(30)
	CODE NO.	CL232-0614-3-30
		2/2

## X-ON Electronics

Largest Supplier of Electrical and Electronic Components

*Click to view similar products for [I/O Connectors](#) category:*

*Click to view products by [Hirose](#) manufacturer:*

Other Similar products are found below :

[571763P](#) [58098-0628](#) [72.250.1628.2](#) [72.250.2428.2](#) [74720-0505](#) [76.350.0729.0](#) [76871-1403](#) [FCN-244F080-G/1](#) [FCN-260A9920](#) [PCR-E36PM](#) [PCS-XE26MA+](#) [G38A71314B](#) [1571250010](#) [157-22500-3](#) [MS3471L14-19P L/C](#) [192991-0703](#) [172501-4002](#) [172501-6002](#) [FCN-260C008-A/L0](#) [FCN-260C024-AL0](#) [FCN-261Z008](#) [2000314-1](#) [200331-1](#) [PCR-E36FC+](#) [PCS-E28FS+](#) [PCS-XE26SLFD+](#) [PCS-XE26SLFDT+](#) [G730VID08BDC24](#) [U90B2054081210](#) [UE86K842720321](#) [38113800006](#) [DP3AR020WQ1R200](#) [Z4.102.0680.0](#) [500-1040](#) [500-1052](#) [500-1054](#) [ZP-4008-66L](#) [0709821002](#) [DX40-20P\(55\)](#) [5554841-1](#) [MS3474W18-8P-LC\\*](#) [SM3106F14S-7S-LC](#) [U90B3054061110](#) [U65-E04-4020](#) [ZPF000000000097891](#) [557-262M2-06C](#) [747360449](#) [10099439-003C-TRLF](#) [10137239-0021LF](#) [E9320-001-01](#)