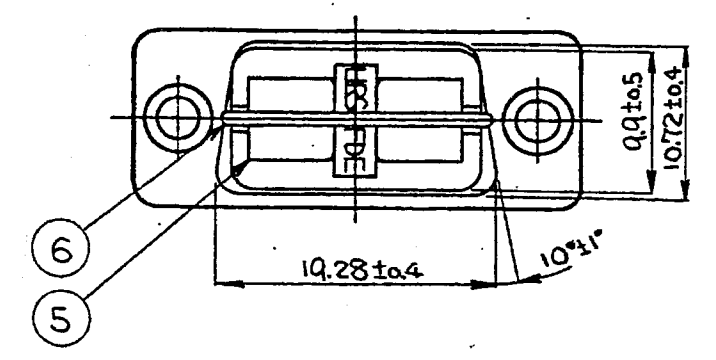
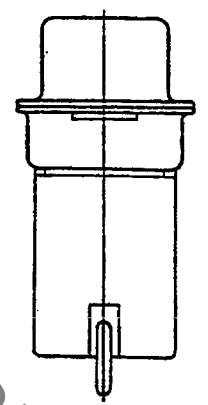
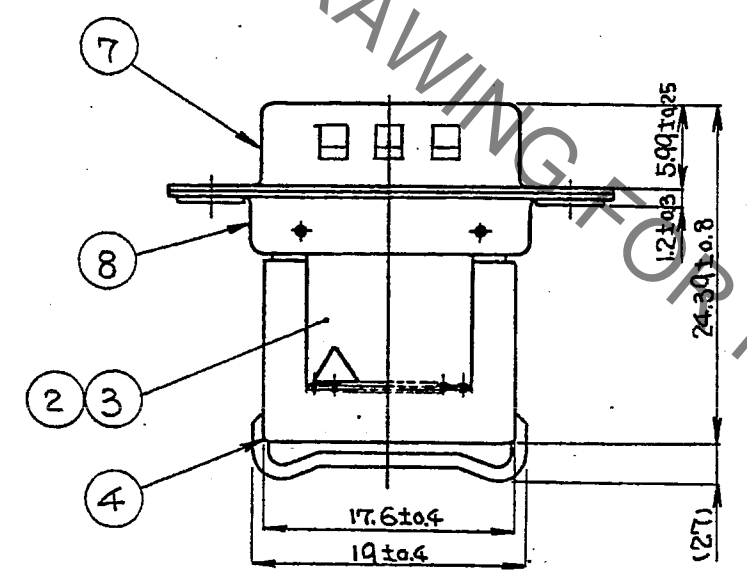
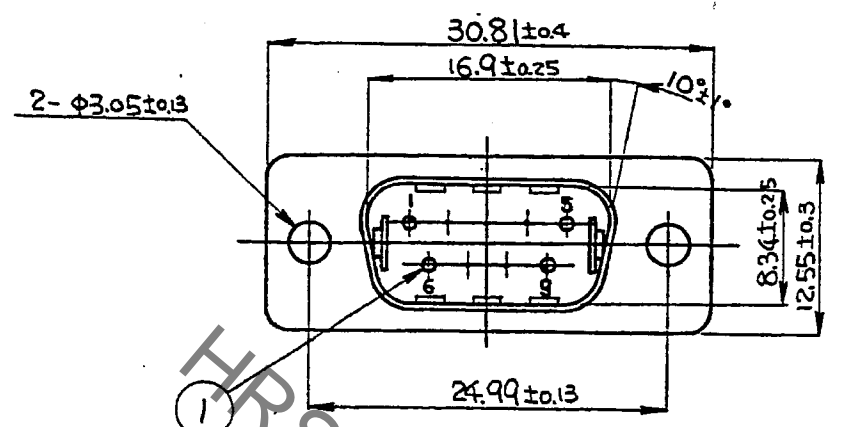


Sep.1.2021 Copyright 2021 HIROSE ELECTRIC CO., LTD. All Rights Reserved.
of consideration for using Automotive equipment / device which demand high reliability, kindly contact our sales window correspondents.

COUNT	DESCRIPTION OF REVISIONS	BY	CHKD	DATE	COUNT	DESCRIPTION OF REVISIONS	BY	CHKD	DATE
△				..	△				..
△				..	△				..
△				..	△				..



NOTE 1. COMPONENTS OF REF. NO. ④ AND ⑤ AND ⑥ ARE APPENDED PRODUCTS.

4	PBT	(BLACK)UL94V-0	8	STEEL	OVER: NICKEL PLATING 1 μm min UNDER: COPPER PLATING 5 μm min
3	PBT	(BLACK)UL94V-0	7	STEEL	OVER: NICKEL PLATING 1 μm min UNDER: COPPER PLATING 5 μm min
2	PBT	(BLACK)UL94V-0			
1	BERYLLIUM COPPER	OVER: GOLD PLATING 0.2 μm min UNDER: NICKEL PLATING 3 μm min	6	STEEL	NICKEL PLATING 1 μm min
			5	STAINLESS STEEL	
NO.	MATERIAL	FINISH, REMARKS	NO.	MATERIAL	FINISH, REMARKS

CODE NO. (OLD)		DRAWN	DESIGNED	CHECKED	APPROVED	RELEASED
		M. Itano	M. Itano	Y. Enami	H. Miura	
		'07.06.14	'07.06.14	07.06.14	'07.06.15	
DRAWING NO. EDC3-023805-01			PART NO. FDE-9PF(05)			
SCALE 2 : 1			CODE NO. CL211-0721-2-05			
UNITS mm			HRS HIROSE ELECTRIC CO., LTD			

X-ON Electronics

Largest Supplier of Electrical and Electronic Components

Click to view similar products for [D-Sub Standard Connectors](#) category:

Click to view products by [Hirose](#) manufacturer:

Other Similar products are found below :

[56F706-005-LI](#) [56F711-015](#) [012-9507-004](#) [LV242999-142T12](#) [015-0341-000](#) [015-0372-005](#) [015-0372-008](#) [015-8755-001](#) [020419-0104](#)
[012-0467-000](#) [012-9507-034](#) [012-9507-114](#) [020745-0008](#) [609-25P](#) [CT2-18-11PCAU](#) [CT6-10SL-3SC](#) [CT6-10SL-4SC](#) [CT6-14S-2SC](#)
[CT6E14SA7SC](#) [CT6N10SL-4SSA34](#) [M83513/01-FC](#) [M83723/76W24619 L/C](#) [M85049/48-3-2F](#) [6STD09PCM99B70X](#) [6STD09SCM99B30X](#)
[6STD09SCT99S40X](#) [6STD15PCT99S40X](#) [6STD15SCT99S40X](#) [6STF09PCM05B70X](#) [7-135760-9](#) [MC11E-10-6SN](#) [747552-3](#) [MD1-21PS](#)
[MDM-15SCBRM7-F222](#) [MDM96517-699](#) [MDM96521-744](#) [MDVB1-21SL1](#) [MIK0-1-7SH003](#) [MIKQ6-7SH076](#) [MIKQ7-7PH077](#) [MIKQ7-](#)
[7PH11](#) [MIKQ7-7PH32](#) [MJSV-28SL61](#) [MKJ4A1F14-55S](#) [8-135760-3](#) [8STD09PCM99B30X](#) [PG-KV/PV-16-GROM-SEALING](#) [GDA15P](#)
[GDAY15PB](#) [980-0000-170](#)