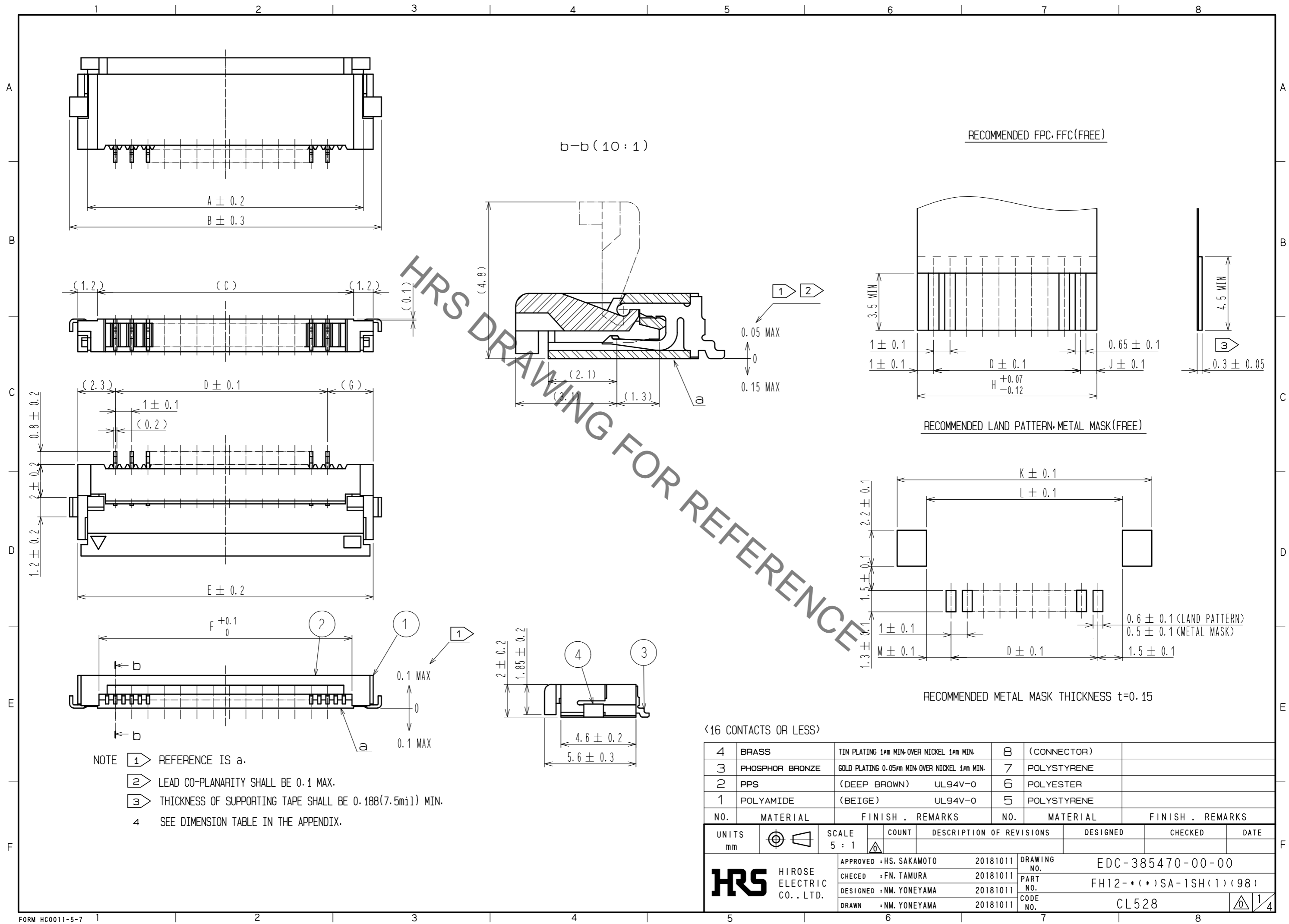


Sep.1.2021 Copyright 2021 HIROSE ELECTRIC CO., LTD. All Rights Reserved.
In case of consideration for using Automotive equipment / device which demand high reliability, kindly contact our sales window correspondents.



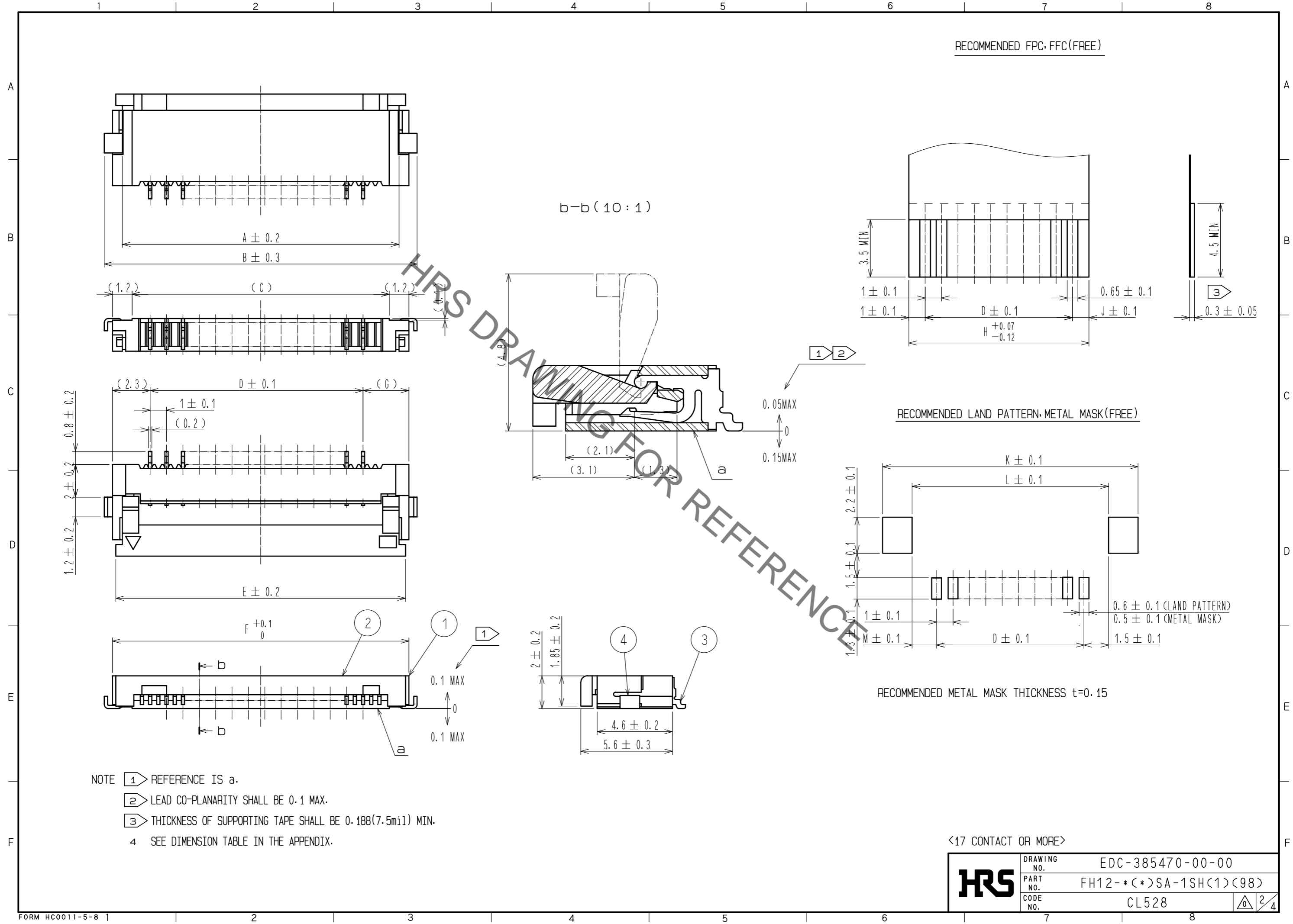
- NOTE
- ① REFERENCE IS a.
 - ② LEAD CO-PLANARITY SHALL BE 0.1 MAX.
 - ③ THICKNESS OF SUPPORTING TAPE SHALL BE 0.188(7.5mil) MIN.
 - 4 SEE DIMENSION TABLE IN THE APPENDIX.

NO.	MATERIAL	FINISH	REMARKS	NO.	MATERIAL	FINISH	REMARKS
4	BRASS	TIN PLATING 1μm MIN-OVER NICKEL 1μm MIN.	8	(CONNECTOR)			
3	PHOSPHOR BRONZE	GOLD PLATING 0.05μm MIN-OVER NICKEL 1μm MIN.	7	POLYSTYRENE			
2	PPS	(DEEP BROWN) UL94V-0	6	POLYESTER			
1	POLYAMIDE	(BEIGE) UL94V-0	5	POLYSTYRENE			

UNITS	SCALE	COUNT	DESCRIPTION OF REVISIONS	DESIGNED	CHECKED	DATE
mm	5 : 1	△				

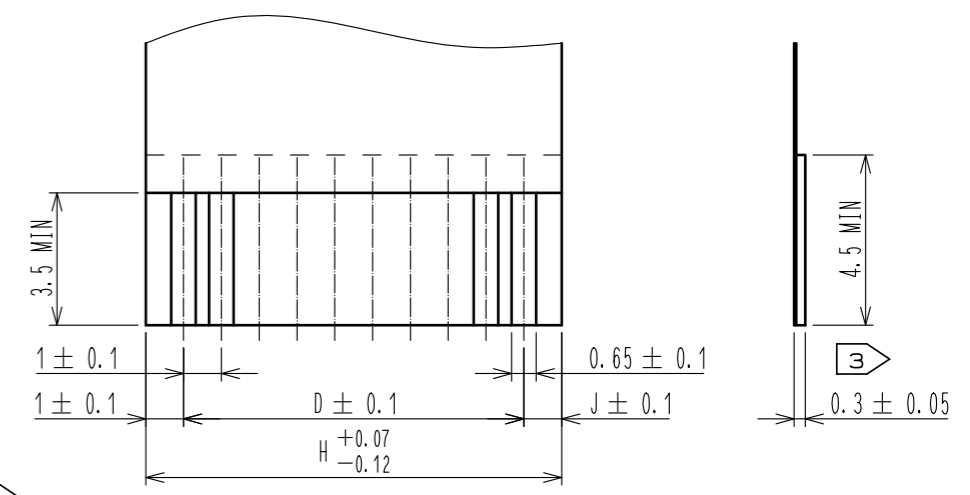
APPROVED	HS. SAKAMOTO	20181011	DRAWING NO.	EDC-385470-00-00
CHECKED	FN. TAMURA	20181011	PART NO.	FH12-*(*)SA-1SH(1)(98)
DESIGNED	NM. YONEYAMA	20181011	CODE NO.	CL528
DRAWN	NM. YONEYAMA	20181011		

Sep.1.2021 Copyright 2021 HIROSE ELECTRIC CO., LTD. All Rights Reserved.
 In case of consideration for using Automotive equipment / device which demand high reliability, kindly contact our sales window correspondents.

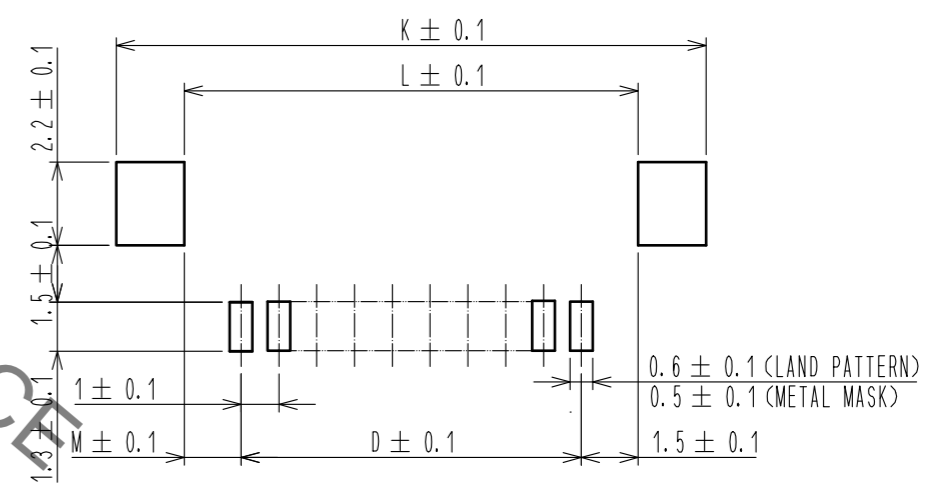


- NOTE
- ① REFERENCE IS a.
 - ② LEAD CO-PLANARITY SHALL BE 0.1 MAX.
 - ③ THICKNESS OF SUPPORTING TAPE SHALL BE 0.188(7.5mil) MIN.
 - 4 SEE DIMENSION TABLE IN THE APPENDIX.

RECOMMENDED FPC, FFC(FREE)



RECOMMENDED LAND PATTERN, METAL MASK(FREE)

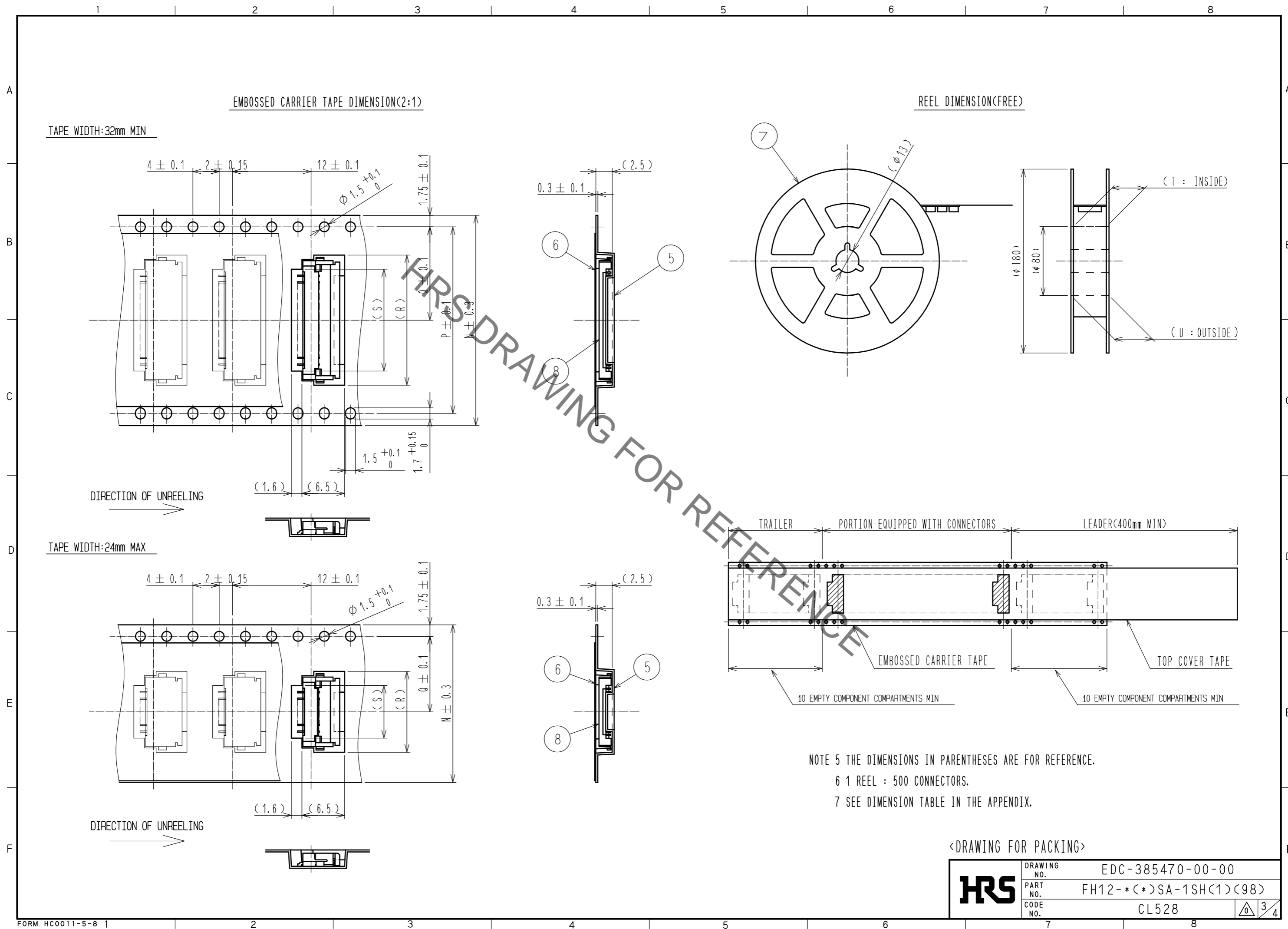


RECOMMENDED METAL MASK THICKNESS t=0.15

<17 CONTACT OR MORE>

HRS	DRAWING NO.	EDC-385470-00-00
	PART NO.	FH12-*(*)SA-1SH(1)(98)
	CODE NO.	CL528
		②/4

Sep.1.2021 Copyright 2021 HIROSE ELECTRIC CO., LTD. All Rights Reserved.
 In case of consideration for using Automotive equipment / device which demand high reliability, kindly contact our sales window correspondents.



HRS	DRAWING NO.	EDC-385470-00-00
	PART NO.	FH12-*(*)SA-1SH(1)(98)
	CODE NO.	CL528
		3/4

Sep.1.2021 Copyright 2021 HIROSE ELECTRIC CO., LTD. All Rights Reserved.
 In case of consideration for using Automotive equipment / device which demand high reliability, kindly contact our sales window correspondents.

DIMENSION TABLE OF CONNECTOR, FPC, FFC, LAND PATTERN AND METAL MASK

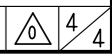
	PART NO.	CODE NO.	*	A	B	C	D	E	F	G	H	J	K	L	M
STANDARD TYPE	FH12- 5S-1SH(1)(98)	CL528-0029-9-98	5	7.4	9.6	6.2	4	8.6	6.07	2.3	6	1	10.6	7	1.5
	FH12- 6S-1SH(1)(98)	CL528-0030-8-98	6	8.4	10.6	7.2	5	9.6	7.07	2.3	7	1	11.6	8	1.5
	FH12- 7S-1SH(1)(98)	CL528-0031-0-98	7	9.4	11.6	8.2	6	10.6	8.07	2.3	8	1	12.6	9	1.5
	FH12- 8S-1SH(1)(98)	CL528-0032-3-98	8	10.4	12.6	9.2	7	11.6	9.07	2.3	9	1	13.6	10	1.5
	FH12- 9S-1SH(1)(98)	CL528-0033-6-98	9	11.4	13.6	10.2	8	12.6	10.07	2.3	10	1	14.6	11	1.5
	FH12-11S-1SH(1)(98)	CL528-0034-9-98	11	13.4	15.6	12.2	10	14.6	12.07	2.3	12	1	16.6	13	1.5
	FH12-12S-1SH(1)(98)	CL528-0035-1-98	12	14.4	16.6	13.2	11	15.6	13.07	2.3	13	1	17.6	14	1.5
	FH12-16S-1SH(1)(98)	CL528-0036-4-98	16	18.4	20.6	17.2	15	19.6	17.07	2.3	17	1	21.6	18	1.5
	FH12-17S-1SH(1)(98)	CL528-0037-7-98	17	19.4	21.6	18.2	16	20.6	18.07	2.3	18	1	22.6	19	1.5
	FH12-22S-1SH(1)(98)	CL528-0038-0-98	22	24.4	26.6	23.2	21	25.6	23.07	2.3	23	1	27.6	24	1.5
	FH12-26S-1SH(1)(98)	CL528-0039-2-98	26	28.9	30.6	27.2	25	29.6	27.07	2.3	27	1	31.6	28	1.5
EXCENTRIC TYPE	FH12-10(4)SA-1SH(1)(98)	CL528-0040-1-98	4	6.9	9.1	5.7	3	8.1	5.57	2.8	5.5	1.5	10.1	6.5	2
	FH12-14(6)SA-1SH(1)(98)	CL528-0041-4-98	6	8.9	11.1	7.7	5	10.1	7.57	2.8	7.5	1.5	12.1	8.5	2
	FH12-18(8)SA-1SH(1)(98)	CL528-0042-7-98	8	10.9	13.1	9.7	7	12.1	9.57	2.8	9.5	1.5	14.1	10.5	2
	FH12-22(10)SA-1SH(1)(98)	CL528-0043-0-98	10	12.9	15.1	11.7	9	14.1	11.57	2.8	11.5	1.5	16.1	12.5	2
	FH12-24(11)SA-1SH(1)(98)	CL528-0044-2-98	11	13.9	16.1	12.7	10	15.1	12.57	2.8	12.5	1.5	17.1	13.5	2
	FH12-30(14)SA-1SH(1)(98)	CL528-0045-5-98	14	16.9	19.1	15.7	13	18.1	15.57	2.8	15.5	1.5	20.1	16.5	2
	FH12-40(19)SA-1SH(1)(98)	CL528-0046-8-98	19	21.9	24.1	20.7	18	23.1	20.57	2.8	20.5	1.5	25.1	21.5	2
	FH12-50(24)SA-1SH(1)(98)	CL528-0047-0-98	24	26.9	29.1	25.7	23	28.1	25.57	2.8	25.5	1.5	30.1	26.5	2

DIMENSION TABLE OF DRAWING FOR PACKING

	PART NO.	CODE NO.	*	N	P	Q	R	S	T	U
STANDARD TYPE	FH12- 5S-1SH(1)(98)	CL528-0029-9-98	5	16	—	7.5	10.3	6	17.4	21.4
	FH12- 6S-1SH(1)(98)	CL528-0030-8-98	6	24	—	11.5	11.3	7	25.4	29.4
	FH12- 7S-1SH(1)(98)	CL528-0031-0-98	7	24	—	11.5	12.3	8	25.4	29.4
	FH12- 8S-1SH(1)(98)	CL528-0032-3-98	8	24	—	11.5	13.3	9	25.4	29.4
	FH12- 9S-1SH(1)(98)	CL528-0033-6-98	9	24	—	11.5	14.3	10	25.4	29.4
	FH12-11S-1SH(1)(98)	CL528-0034-9-98	11	24	—	11.5	16.3	12	25.4	29.4
	FH12-12S-1SH(1)(98)	CL528-0035-1-98	12	24	—	11.5	17.3	13	25.4	29.4
	FH12-16S-1SH(1)(98)	CL528-0036-4-98	16	32	28.4	14.2	21.3	17	33.4	37.4
	FH12-17S-1SH(1)(98)	CL528-0037-7-98	17	44	40.4	20.2	22.3	18	45.4	49.4
	FH12-22S-1SH(1)(98)	CL528-0038-0-98	22	44	40.4	20.2	27.3	23	45.4	49.4
	FH12-26S-1SH(1)(98)	CL528-0039-2-98	26	44	40.4	20.2	31.3	27	45.4	49.4
EXCENTRIC TYPE	FH12-10(4)SA-1SH(1)(98)	CL528-0040-1-98	4	16	—	7.5	9.8	5.5	17.4	21.4
	FH12-14(6)SA-1SH(1)(98)	CL528-0041-4-98	6	24	—	11.5	11.8	7.5	25.4	29.4
	FH12-18(8)SA-1SH(1)(98)	CL528-0042-7-98	8	24	—	11.5	13.8	9.5	25.4	29.4
	FH12-22(10)SA-1SH(1)(98)	CL528-0043-0-98	10	24	—	11.5	15.8	11.5	25.4	29.4
	FH12-24(11)SA-1SH(1)(98)	CL528-0044-2-98	11	24	—	11.5	16.8	12.5	25.4	29.4
	FH12-30(14)SA-1SH(1)(98)	CL528-0045-5-98	14	32	28.4	14.2	19.8	15.5	33.4	37.4
	FH12-40(19)SA-1SH(1)(98)	CL528-0046-8-98	19	44	40.4	20.2	24.8	20.5	45.4	49.4
	FH12-50(24)SA-1SH(1)(98)	CL528-0047-0-98	24	44	40.4	20.2	29.8	25.5	45.4	49.4

*: NUMBER OF CONTACT

HRS	DRAWING NO.	EDC-385470-00-00
	PART NO.	FH12-*(*)SA-1SH(1)(98)
	CODE NO.	CL528



X-ON Electronics

Largest Supplier of Electrical and Electronic Components

Click to view similar products for [FFC & FPC Connectors](#) category:

Click to view products by [Hirose](#) manufacturer:

Other Similar products are found below :

[FPH-1422G](#) [FPH-1602G](#) [K-FC20](#) [FH29B-80S-0.2SHW\(99\)](#) [FPH-2022G](#) [AYF332735](#) [52610-1075](#) [52610-1275](#) [52610-1934](#) [501864-3091-TR225](#) [086222026001800](#) [52610-0675](#) [62684-36210E9ALF](#) [52746-1671-TR250](#) [10051922-2810EHLF](#) [6-520415-9](#) [SFV6R-1STE9HLF](#) [XF3M-2915-1B-R100](#) [1658549-1](#) [AYF534065TA](#) [AYF351525](#) [086212040340800+](#) [AYF530365TA](#) [67000-014LF](#) [67000-004LF](#) [006207341915000+](#) [DS1020-19RT1D](#) [67000-003LF](#) [67000-011LF](#) [67000-016LF](#) [HFW14R-2STE9LF](#) [SFV32R-2STBE9HLF](#) [SFW12R-5STE9LF](#) [SFW18R-1STAE9LF](#) [SFW4R-5STE9LF](#) [52807-0430](#) [046283021002868+](#) [THD1015-8CL-SN](#) [67000-006LF](#) [502250-8027](#) [104267-9617](#) [66987-011LF](#) [AYF362535](#) [F0501-T-50-20T-R](#) [F1003-ZV-12-25T-R](#) [HFW8S-2STAE1HLF](#) [67000-008LF](#) [67000-012LF](#) [ECC576069EU](#) [F1002-B-20-20T-R](#)