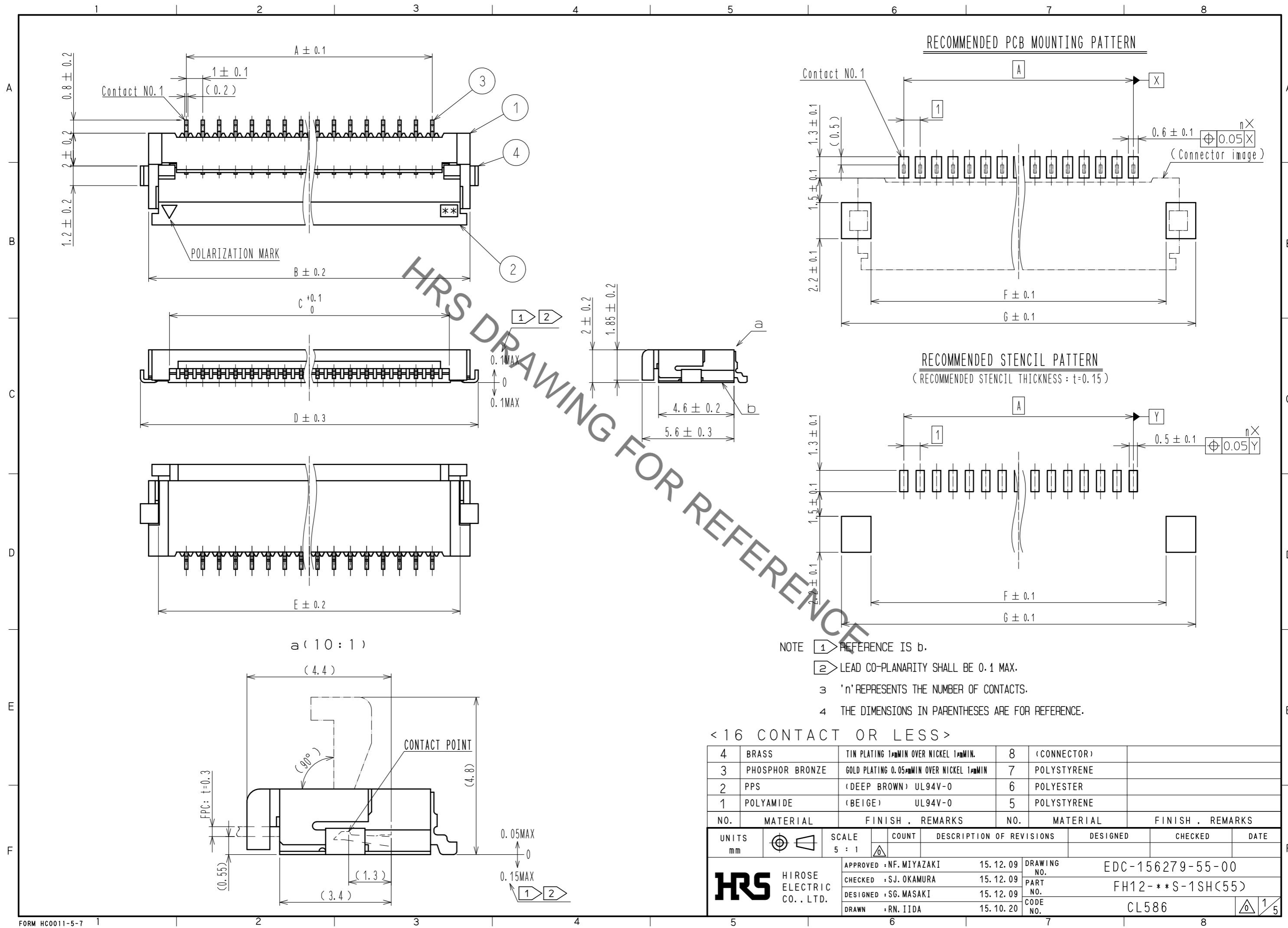
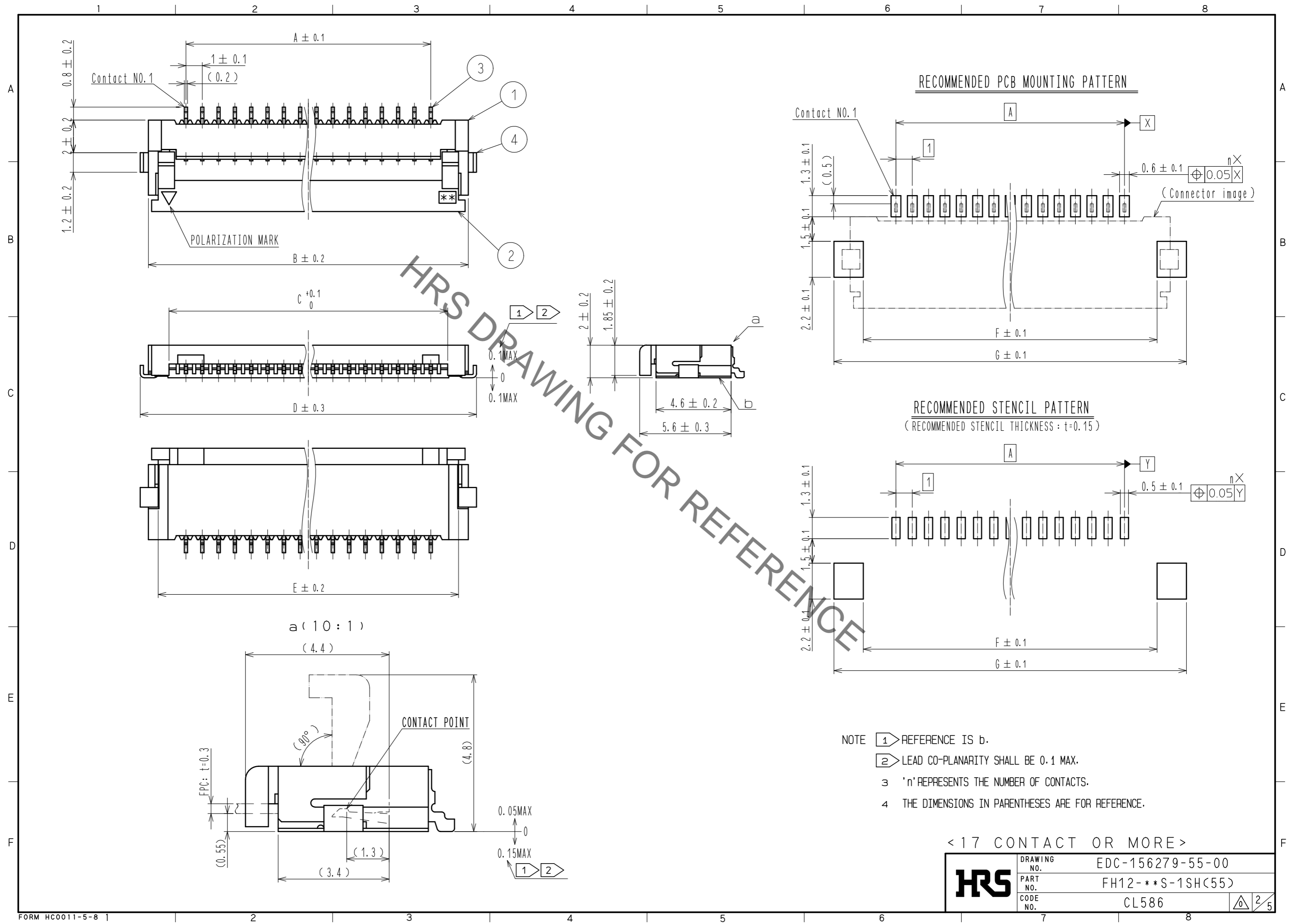


Dec.1.2021 Copyright 2021 HIROSE ELECTRIC CO., LTD. All Rights Reserved.  
In case of consideration for using Automotive equipment / device which demand high reliability, kindly contact our sales window correspondents.



Dec.1.2021 Copyright 2021 HIROSE ELECTRIC CO., LTD. All Rights Reserved.  
 In case of consideration for using Automotive equipment / device which demand high reliability, kindly contact our sales window correspondents.



HRS DRAWING FOR REFERENCE

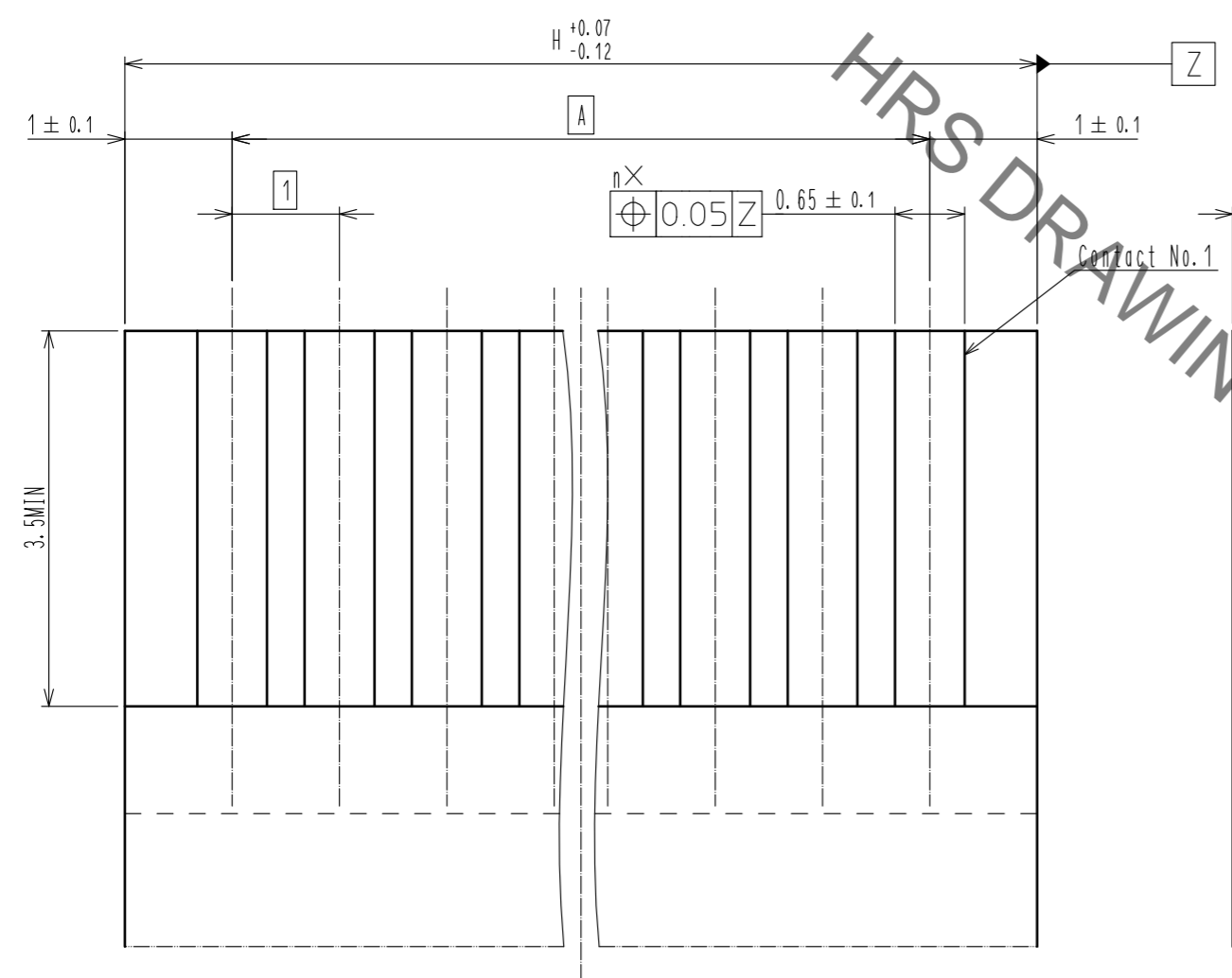
- NOTE
- ① REFERENCE IS b.
  - ② LEAD CO-PLANARITY SHALL BE 0.1 MAX.
  - ③ 'n' REPRESENTS THE NUMBER OF CONTACTS.
  - ④ THE DIMENSIONS IN PARENTHESES ARE FOR REFERENCE.

< 17 CONTACT OR MORE >

|            |             |                   |
|------------|-------------|-------------------|
| <b>HRS</b> | DRAWING NO. | EDC-156279-55-00  |
|            | PART NO.    | FH12-**-S-1SH(55) |
|            | CODE NO.    | CL586             |
|            |             | ②/5               |

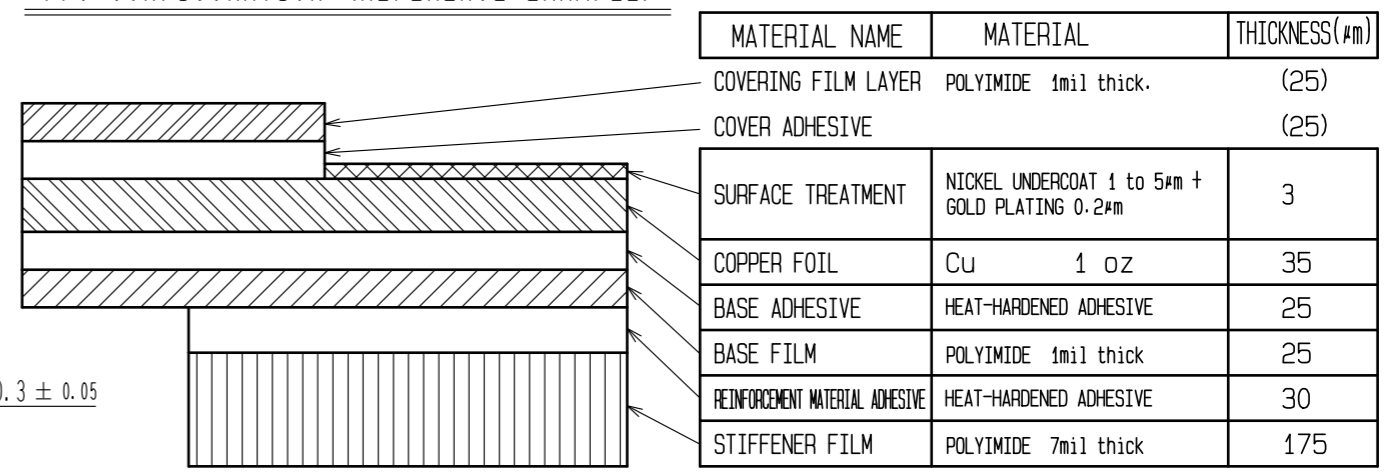
Dec.1.2021 Copyright 2021 HIROSE ELECTRIC CO., LTD. All Rights Reserved.  
 In case of consideration for using Automotive equipment / device which demand high reliability, kindly contact our sales window correspondents.

RECOMMENDED FPC/FFC (15:1)



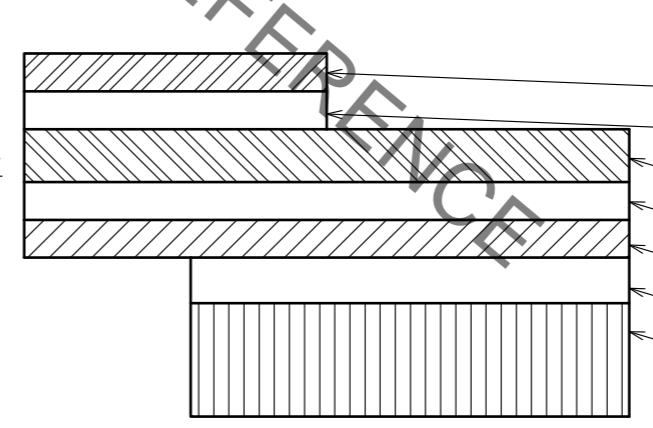
5 THICKNESS OF SUPPORTING TAPE SHALL BE 0.188(7.5MIL) MIN.

FPC CONFIGURATION (REFERENCE EXAMPLE) (SCALE:FREE)



| MATERIAL NAME                   | MATERIAL                                       | THICKNESS(μm) |
|---------------------------------|--|---------------|
| COVERING FILM LAYER             | POLYIMIDE 1mil thick.                          | (25)          |
| COVER ADHESIVE                  |  | (25)          |
| SURFACE TREATMENT               | NICKEL UNDERCOAT 1 to 5μm + GOLD PLATING 0.2μm | 3             |
| COPPER FOIL                     | Cu 1 oz  | 35            |
| BASE ADHESIVE                   | HEAT-HARDENED ADHESIVE                         | 25            |
| BASE FILM                       | POLYIMIDE 1mil thick                           | 25            |
| REINFORCEMENT MATERIAL ADHESIVE | HEAT-HARDENED ADHESIVE                         | 30            |
| STIFFENER FILM                  | POLYIMIDE 7mil thick                           | 175           |

FFC CONFIGURATION (REFERENCE EXAMPLE) (SCALE:FREE)



| MATERIAL NAME                | MATERIAL                | THICKNESS(μm) |
|------------------------------|-------------------------|---------------|
| POLYESTER FILM               |                         | (12)          |
| ADHESIVE                     | THERMOPLASTIC POLYESTER | (30)          |
| GOLD PLATED SOFT COPPER FILM |                         | 35            |
| ADHESIVE                     | POLYESTER               | 30            |
| POLYESTER                    |                         | 12            |
| ADHESIVE                     | POLYESTER               | 30            |
| STIFFENER FILM               | POLYESTER               | 188           |

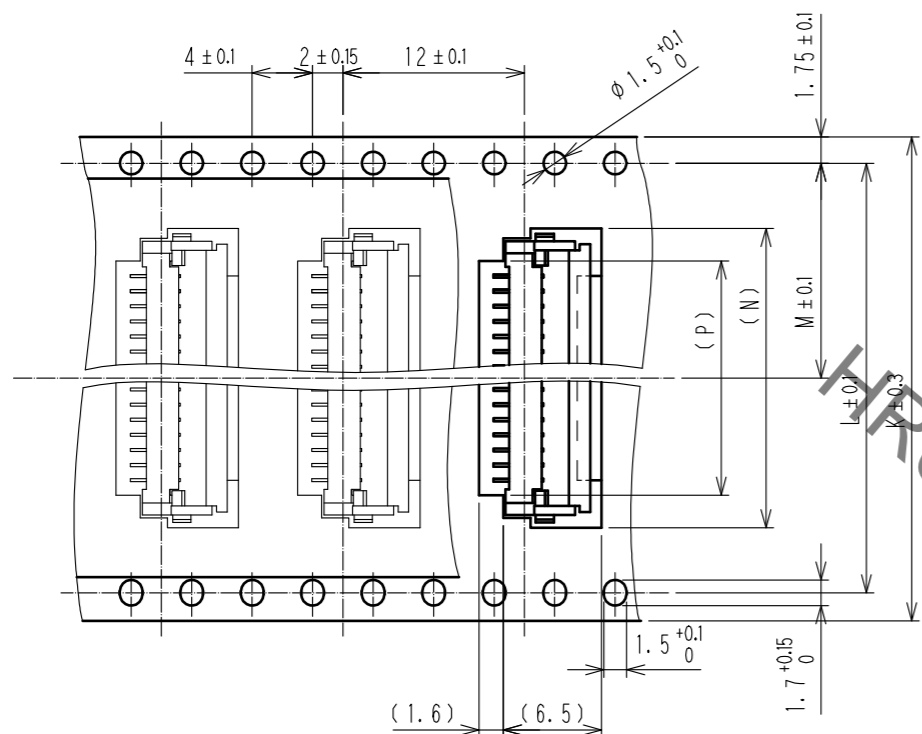
|            |             |                   |
|------------|-------------|-------------------|
| <b>HRS</b> | DRAWING NO. | EDC-156279-55-00  |
|            | PART NO.    | FH12-**-S-1SH(55) |
|            | CODE NO.    | CL586             |

3/5

Dec.1.2021 Copyright 2021 HIROSE ELECTRIC CO., LTD. All Rights Reserved.  
 In case of consideration for using Automotive equipment / device which demand high reliability, kindly contact our sales window correspondents.

EMBOSSED CARRIER TAPE DIMENSION(2:1)

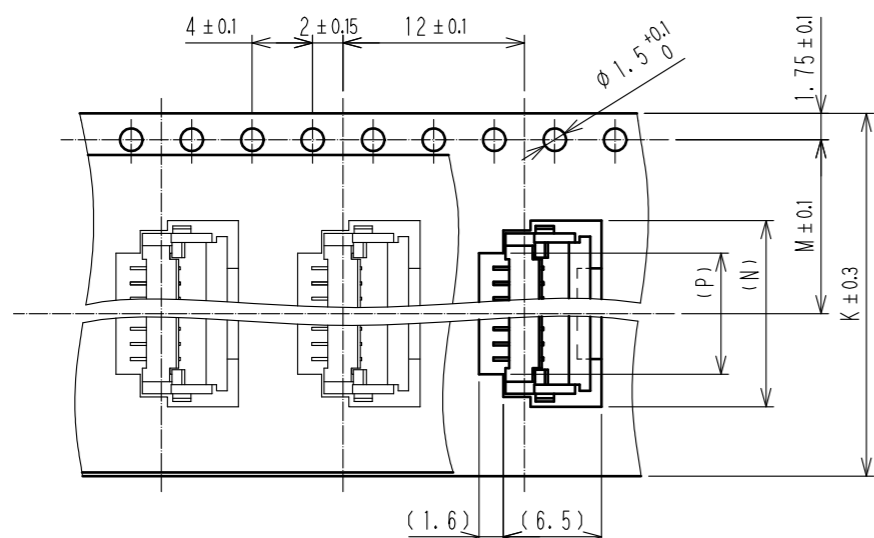
TAPE WIDTH:32mm MIN



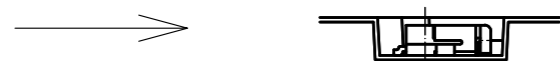
DIRECTION OF UNREELING



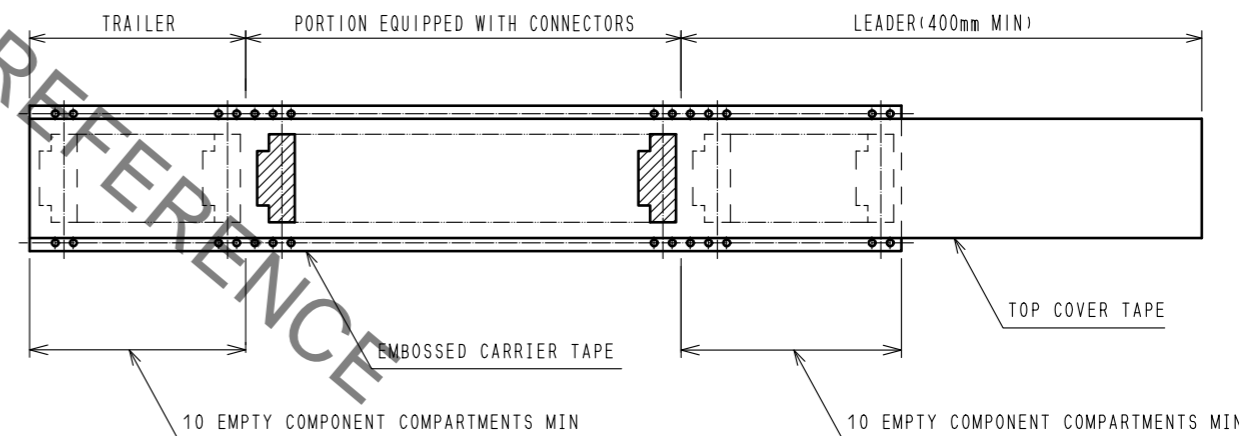
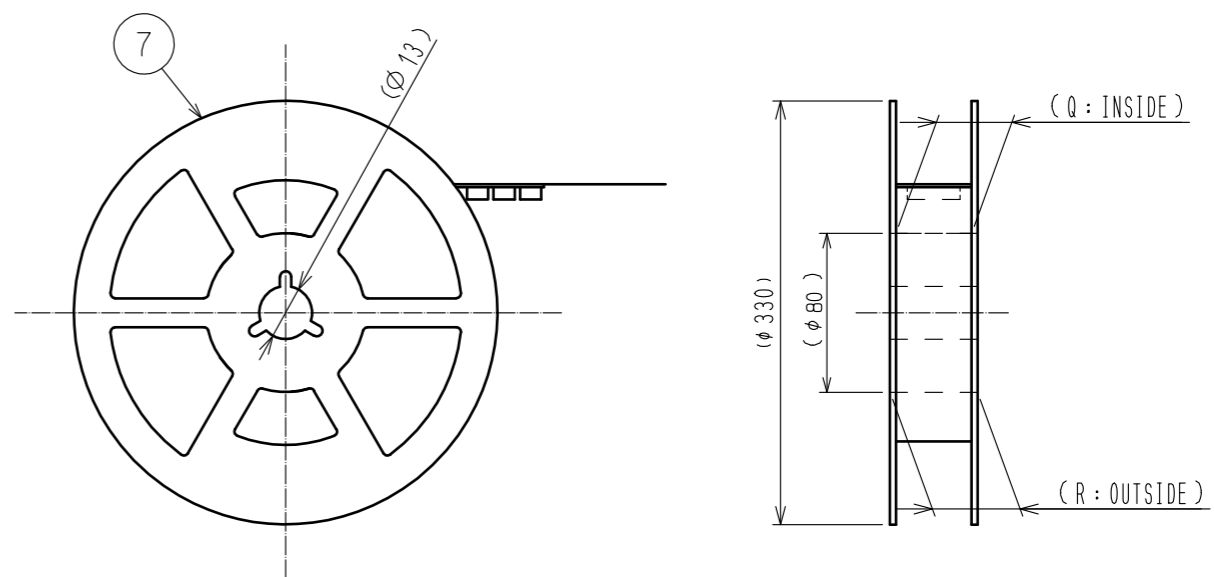
TAPE WIDTH:24mm MAX



DIRECTION OF UNREELING



REEL DIMENSION (FREE)



6 PER REEL:2000 CONNECTORS.

7 SEE DIMENSION TABLE IN THE APPENDIX.

<DRAWING FOR PACKING>

|            |             |                   |
|------------|-------------|-------------------|
| <b>HRS</b> | DRAWING NO. | EDC-156279-55-00  |
|            | PART NO.    | FH12-**-S-1SH(55) |
|            | CODE NO.    | CL586             |
|            |             | 4/5               |

Dec.1.2021 Copyright 2021 HIROSE ELECTRIC CO., LTD. All Rights Reserved.  
 In case of consideration for using Automotive equipment / device which demand high reliability, kindly contact our sales window correspondents.

| PART NO.          | CODE NO.        | NUMBER OF CONTACT | DIMENSION TABLE OF CONNECTOR, FPC, FFC, PCB MOUNTING PATTERN AND STENCIL PATTERN |      |       |      |      |    |      |    |    | DIMENSION TABLE OF DRAWING FOR PACKING |      |      |    |      |      |
|-------------------|-----------------|-------------------|--|------|-------|------|------|----|------|----|----|--|------|------|----|------|------|
|                   |                 |                   | A  | B    | C     | D    | E    | F  | G    | H  | K  | L                                      | M    | N    | P  | Q    | R    |
| FH12- 5S-1SH(55)  | CL586-0591-6-55 | 5                 | 4  | 8.6  | 6.07  | 9.6  | 7.4  | 7  | 10.6 | 6  | 16 | —                                      | 7.5  | 10.3 | 6  | 17.4 | 21.4 |
| FH12- 6S-1SH(55)  | CL586-0607-4-55 | 6                 | 5  | 9.6  | 7.07  | 10.6 | 8.4  | 8  | 11.6 | 7  | 24 | —                                      | 11.5 | 11.3 | 7  | 25.4 | 29.4 |
| FH12- 7S-1SH(55)  | CL586-0535-5-55 | 7                 | 6  | 10.6 | 8.07  | 11.6 | 9.4  | 9  | 12.6 | 8  | 24 | —                                      | 11.5 | 12.3 | 8  | 25.4 | 29.4 |
| FH12- 8S-1SH(55)  | CL586-0579-0-55 | 8                 | 7  | 11.6 | 9.07  | 12.6 | 10.4 | 10 | 13.6 | 9  | 24 | —                                      | 11.5 | 13.3 | 9  | 25.4 | 29.4 |
| FH12- 9S-1SH(55)  | CL586-0540-5-55 | 9                 | 8  | 12.6 | 10.07 | 13.6 | 11.4 | 11 | 14.6 | 10 | 24 | —                                      | 11.5 | 14.3 | 10 | 25.4 | 29.4 |
| FH12- 11S-1SH(55) | CL586-0668-9-55 | 11                | 10   | 14.6 | 12.07 | 15.6 | 13.4 | 13 | 16.6 | 12 | 24 | —                                      | 11.5 | 16.3 | 12 | 25.4 | 29.4 |
| FH12- 12S-1SH(55) | CL586-0741-7-55 | 12                | 11   | 15.6 | 13.07 | 16.6 | 14.4 | 14 | 17.6 | 13 | 24 | —                                      | 11.5 | 17.3 | 13 | 25.4 | 29.4 |
| FH12- 16S-1SH(55) | CL586-0536-8-55 | 16                | 15   | 19.6 | 17.07 | 20.6 | 18.4 | 18 | 21.6 | 17 | 32 | 28.4                                   | 14.2 | 21.3 | 17 | 33.4 | 37.4 |
| FH12- 17S-1SH(55) | CL586-0739-5-55 | 17                | 16   | 20.6 | 18.07 | 21.6 | 19.4 | 19 | 22.6 | 18 | 44 | 40.4                                   | 20.2 | 22.3 | 18 | 45.4 | 49.4 |
| FH12- 22S-1SH(55) | CL586-0547-4-55 | 22                | 21   | 25.6 | 23.07 | 26.6 | 24.4 | 24 | 27.6 | 23 | 44 | 40.4                                   | 20.2 | 27.3 | 23 | 45.4 | 49.4 |
| FH12- 26S-1SH(55) | CL586-0592-9-55 | 26                | 25   | 29.6 | 27.07 | 30.6 | 28.4 | 28 | 31.6 | 27 | 44 | 40.4                                   | 20.2 | 31.3 | 27 | 45.4 | 49.4 |

HRS DRAWING FOR REFERENCE

|            |             |                   |
|------------|-------------|-------------------|
| <b>HRS</b> | DRAWING NO. | EDC-156279-55-00  |
|            | PART NO.    | FH12- **S-1SH(55) |
|            | CODE NO.    | CL586             |
|            |             | 5/5               |

## X-ON Electronics

Largest Supplier of Electrical and Electronic Components

*Click to view similar products for [FFC & FPC Connectors](#) category:*

*Click to view products by [Hirose](#) manufacturer:*

Other Similar products are found below :

[K-FC20](#) [FH29B-80S-0.2SHW\(99\)](#) [FPH-2022G](#) [AYF332735](#) [52610-1075](#) [52610-1275](#) [52610-1934](#) [501864-3091-TR225](#) [086222026001800](#)  
[52610-0675](#) [62684-36210E9ALF](#) [52746-1671-TR250](#) [10051922-2810EHLF](#) [6-520415-9](#) [SFV6R-1STE9HLF](#) [XF3M-2915-1B-R100](#)  
[1658549-1](#) [46214008010800](#) [AYF534065TA](#) [AYF351525](#) [086212040340800+](#) [AYF530365TA](#) [67000-014LF](#) [67000-004LF](#)  
[006207341915000+](#) [DS1020-19RT1D](#) [67000-003LF](#) [67000-011LF](#) [67000-016LF](#) [HFW14R-2STE9LF](#) [SFV32R-2STBE9HLF](#) [SFW12R-](#)  
[5STE9LF](#) [SFW18R-1STAE9LF](#) [SFW4R-5STE9LF](#) [52807-0430](#) [046283021002868+](#) [THD1015-8CL-SN](#) [67000-006LF](#) [502250-8027](#)  
[104267-9617](#) [66987-011LF](#) [AYF362535](#) [F0501-T-50-20T-R](#) [HFW8S-2STAE1HLF](#) [67000-008LF](#) [67000-012LF](#) [ECC576069EU](#) [F1002-B-](#)  
[20-20T-R](#) [HFW15S-2STAE1HLF](#) [0781271110](#)