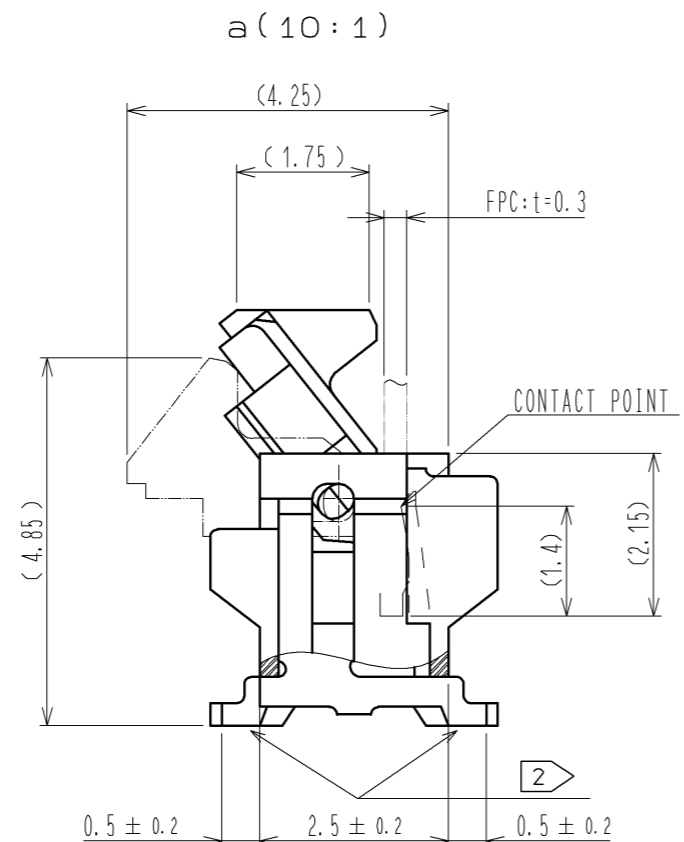
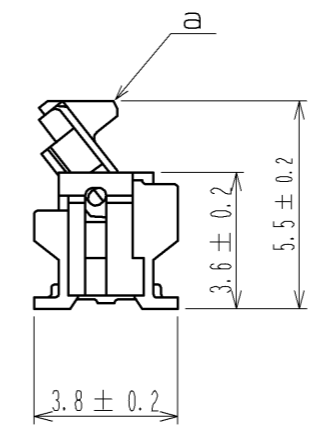
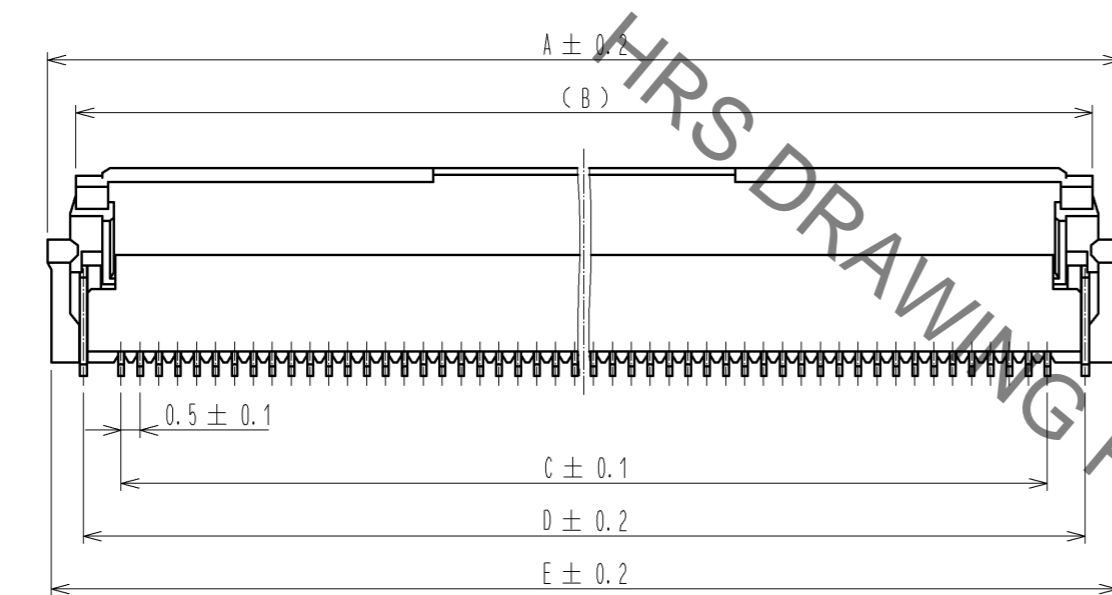
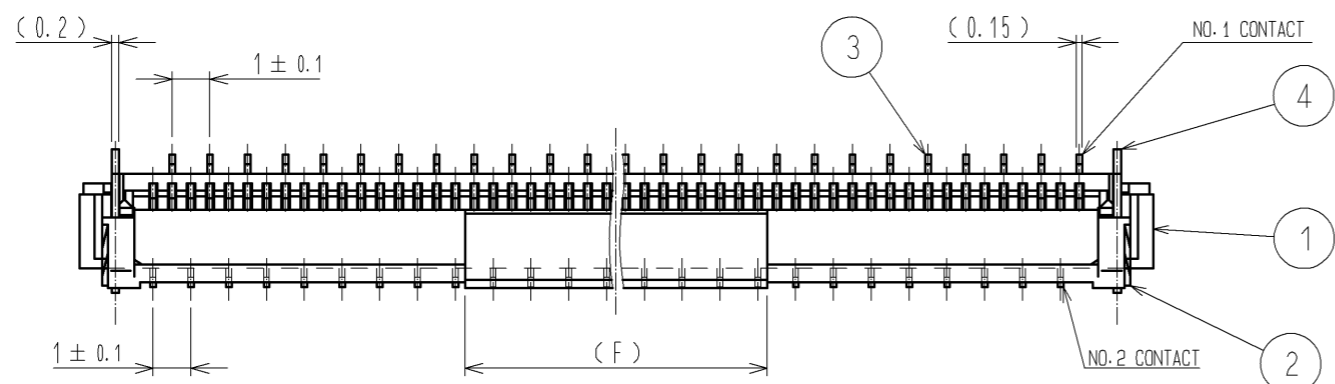


Aug.1.2021 Copyright 2021 HIROSE ELECTRIC CO., LTD. All Rights Reserved.
In case of consideration for using Automotive equipment / device which demand high reliability, kindly contact our sales window correspondents.



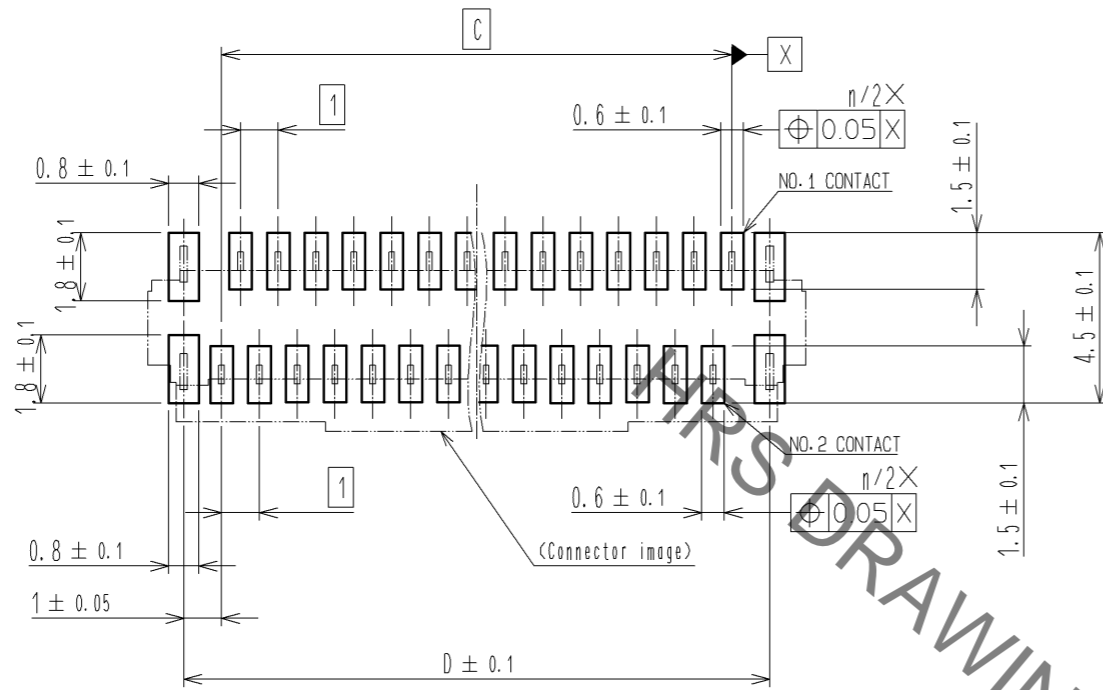
- NOTE 1 THE DIMENSIONS IN PARENTHESES ARE FOR REFERENCE.
 2 LEAD CO-PLANARITY SHALL BE 0.1 MAX.
 3 SEE DIMENSION TABLE IN THE APPENDIX.
 4 MATERIAL
- | NUMBER OF CONTACTS | MATERIAL |
|--------------------|-----------|
| 60 | LCP |
| OTHER | POLYAMIDE |
- 5 DIFFERENCES OF THE GOLD PLATED AREA DO NOT INFLUENCE ON THE PRODUCT PERFORMANCE.
 6 'n' REPRESENTS THE NUMBER OF CONTACTS.

| | | | | | | | |
|--------------------------------------|-----------------|---|------------|--------------------------|-------------------------|---------|------|
| 4 | BRASS | TIN PLATING 1μm MIN-OVER NICKEL 1μm MIN. | | | | | |
| 3 | PHOSPHOR BRONZE | (CONTACT AREA, LEAD) GOLD PLATING 0.05μmMIN OVER NICKEL 1μmMIN (OTHER) NICKEL PLATING 1μmMIN | 8 | (CONNECTOR) | | | |
| 2 | PPS | (DEEP BROWN) UL94V-0 | 6 | POLYESTER | | | |
| 1 | 4 | (BEIGE) UL94V-0 | 5 | POLYSTYRENE | | | |
| NO. | MATERIAL | FINISH . REMARKS | NO. | MATERIAL | FINISH . REMARKS | | |
| UNITS mm | | SCALE 5 : 1 | COUNT △ | DESCRIPTION OF REVISIONS | DESIGNED | CHECKED | DATE |
| HRS HIROSE ELECTRIC CO., LTD. | | APPROVED : HS. SAKAMOTO | 14. 02. 15 | DRAWING NO. | EDC3-159266-03 | | |
| | | CHECKED : HS. SAKAMOTO | 14. 02. 15 | PART NO. | FH12- * * S-0. 5SVA(54) | | |
| | | DESIGNED : RT. IKEDA | 14. 02. 13 | CODE NO. | CL586 | | |
| | | DRAWN : NM. SANPEI | 14. 02. 12 | | △ 1/5 | | |

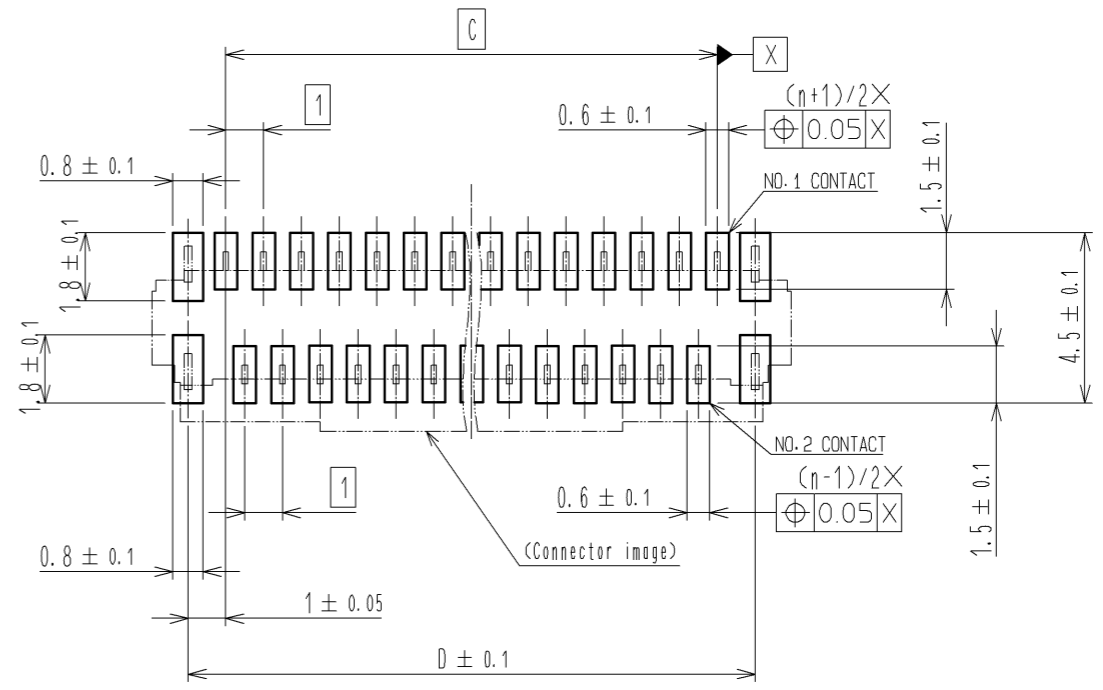
Aug.1.2021 Copyright 2021 HIROSE ELECTRIC CO., LTD. All Rights Reserved.
In case of consideration for using Automotive equipment / device which demand high reliability, kindly contact our sales window correspondents.

RECOMMENDED PCB MOUNTING PATTERN

NUMBER OF CONTACTS: EVEN NUMBER

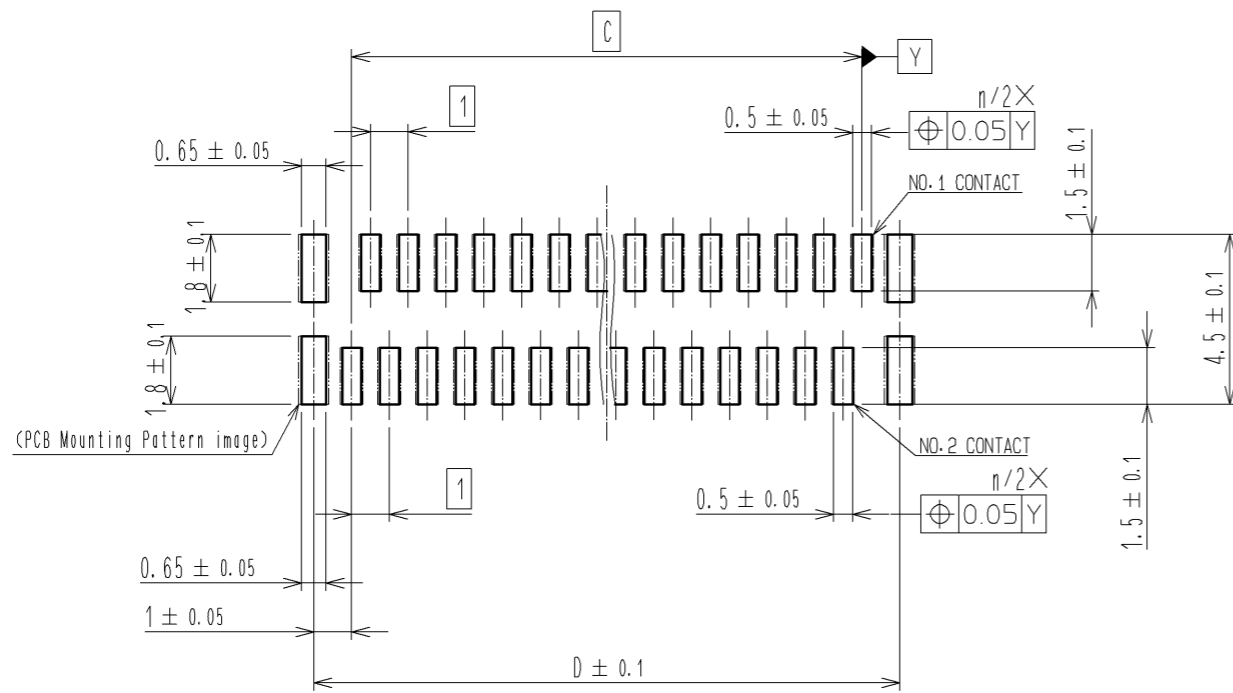


NUMBER OF CONTACTS: ODD NUMBER

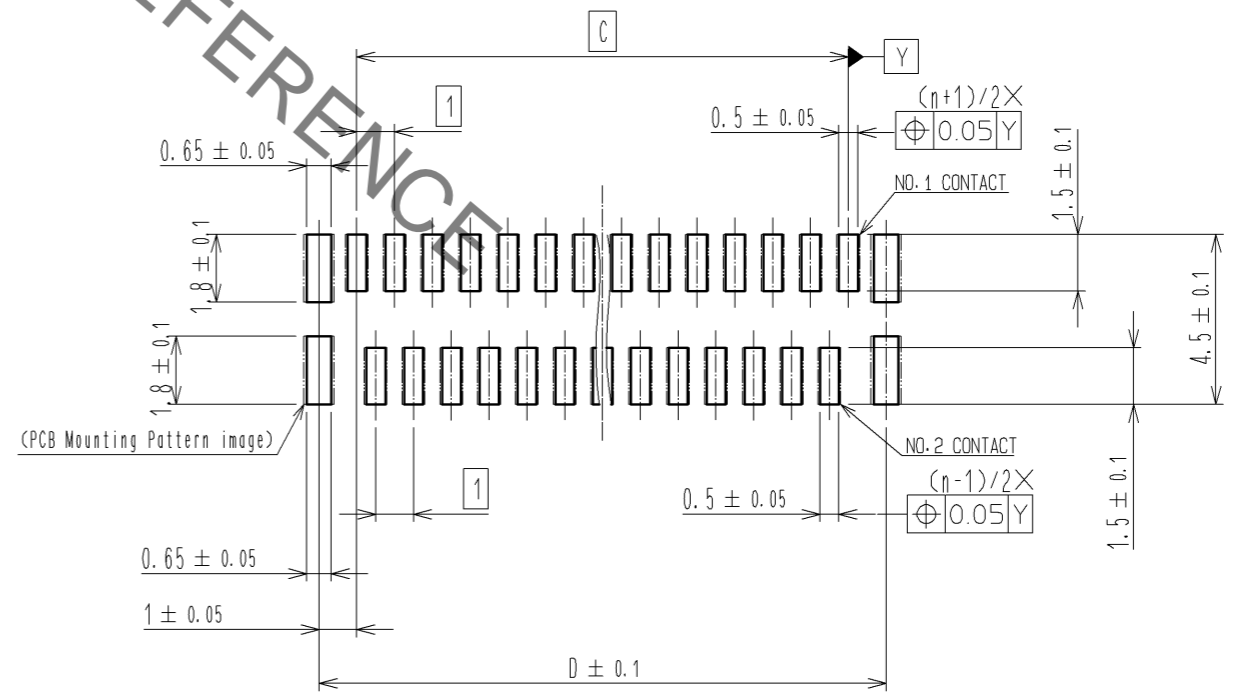


RECOMMENDED STENCIL PATTERN (RECOMMENDED STENCIL THICKNESS: t=0.15)

NUMBER OF CONTACTS: EVEN NUMBER



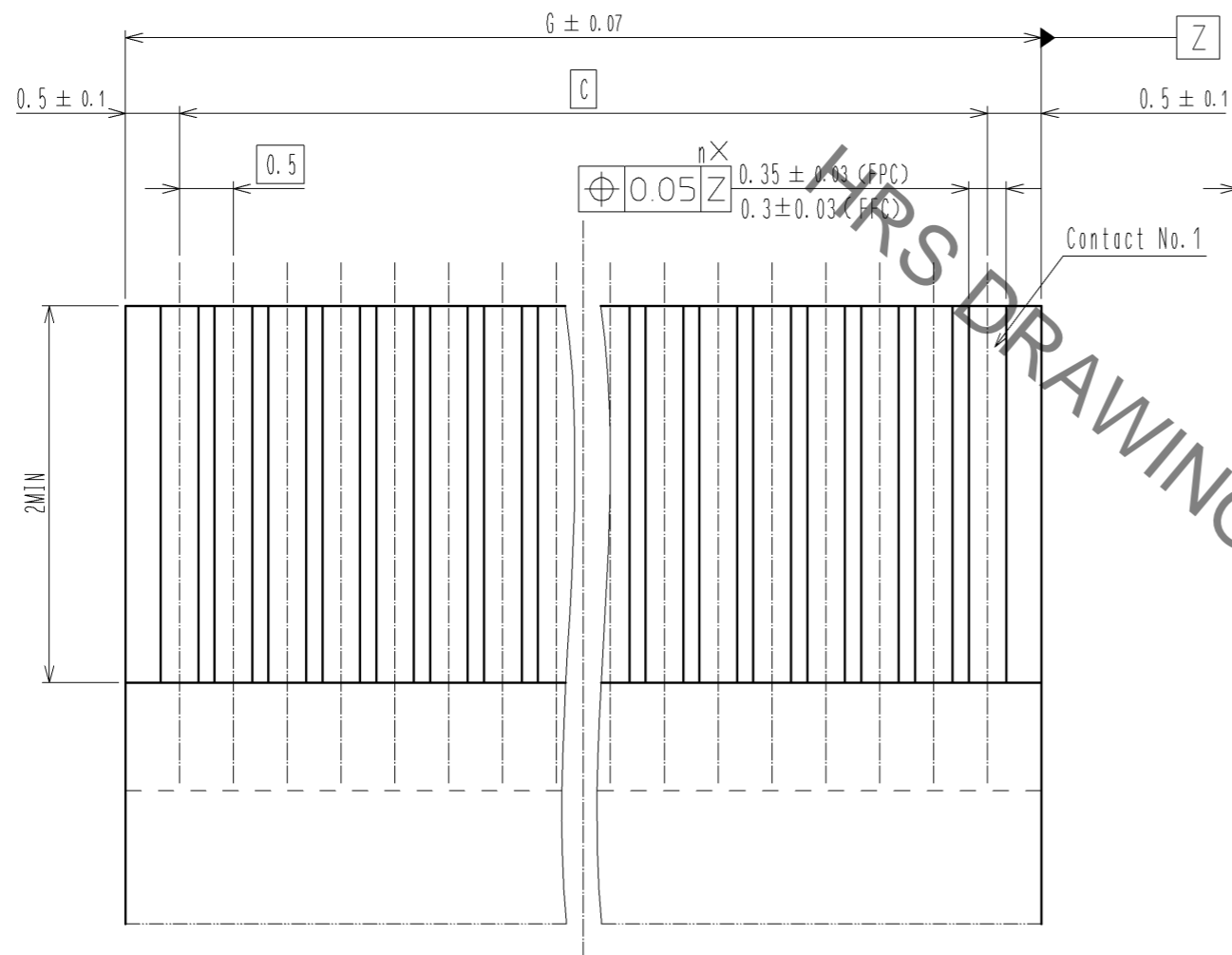
NUMBER OF CONTACTS: ODD NUMBER



| | | |
|------------|-------------|---------------------|
| HRS | DRAWING NO. | EDC3-159266-03 |
| | PART NO. | FH12-**S-0.5SVA(54) |
| | CODE NO. | CL586 |
| | | 2/5 |

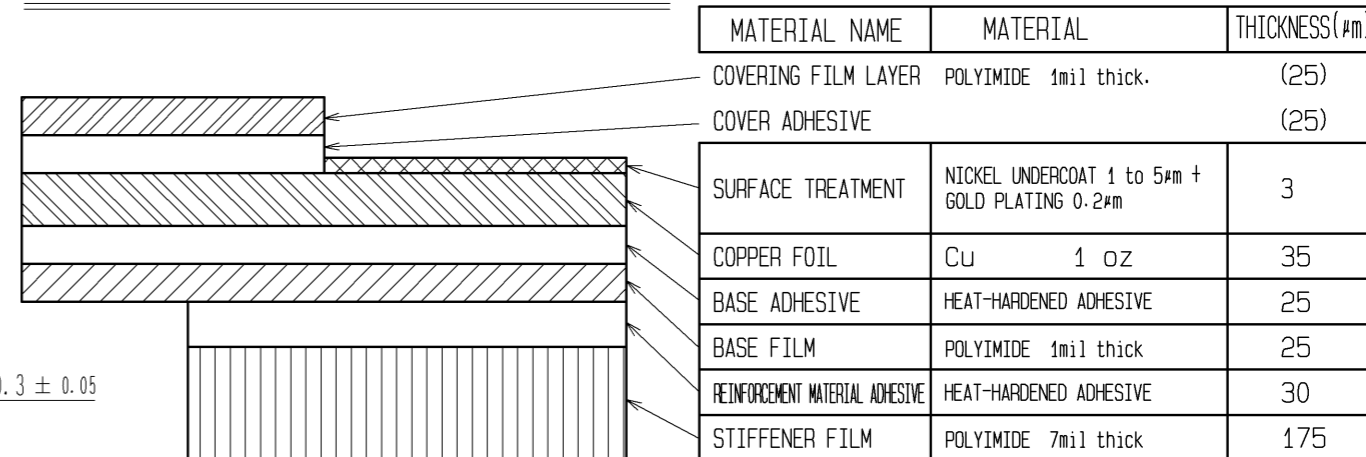
Aug.1.2021 Copyright 2021 HIROSE ELECTRIC CO., LTD. All Rights Reserved.
In case of consideration for using Automotive equipment / device which demand high reliability, kindly contact our sales window correspondents.

RECOMMENDED FPC/FFC (15:1)



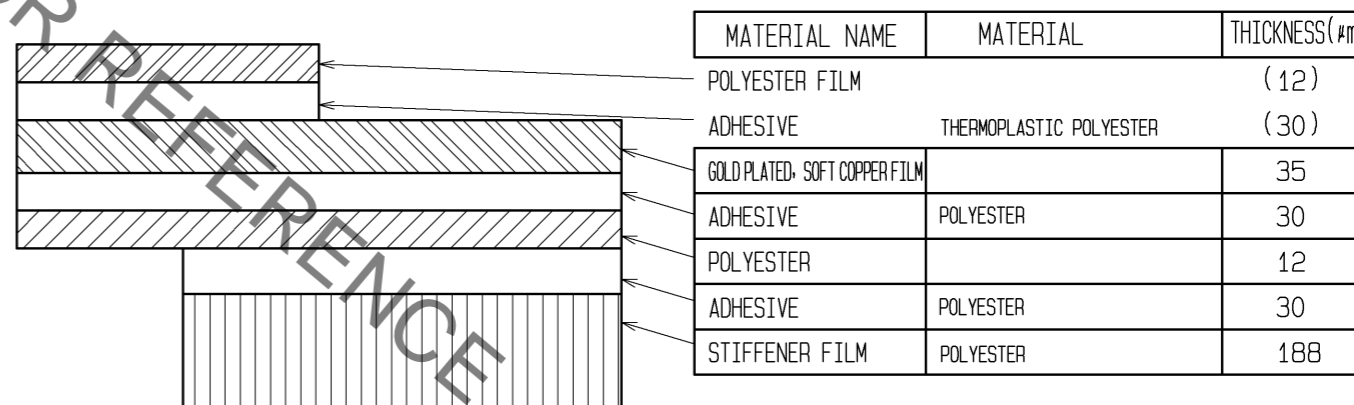
7 THICKNESS OF SUPPORTING TAPE SHALL BE 0.188(7.5MIL) MIN.

FPC CONFIGURATION (REFERENCE EXAMPLE) (SCALE:FREE)



| MATERIAL NAME | MATERIAL | THICKNESS(μm) |
|---------------------------------|--|---------------|
| COVERING FILM LAYER | POLYIMIDE 1mil thick. | (25) |
| COVER ADHESIVE | | (25) |
| SURFACE TREATMENT | NICKEL UNDERCOAT 1 to 5μm + GOLD PLATING 0.2μm | 3 |
| COPPER FOIL | CU 1 oz | 35 |
| BASE ADHESIVE | HEAT-HARDENED ADHESIVE | 25 |
| BASE FILM | POLYIMIDE 1mil thick | 25 |
| REINFORCEMENT MATERIAL ADHESIVE | HEAT-HARDENED ADHESIVE | 30 |
| STIFFENER FILM | POLYIMIDE 7mil thick | 175 |

FFC CONFIGURATION (REFERENCE EXAMPLE) (SCALE:FREE)



| MATERIAL NAME | MATERIAL | THICKNESS(μm) |
|------------------------------|-------------------------|---------------|
| POLYESTER FILM | | (12) |
| ADHESIVE | THERMOPLASTIC POLYESTER | (30) |
| GOLD PLATED SOFT COPPER FILM | | 35 |
| ADHESIVE | POLYESTER | 30 |
| POLYESTER | | 12 |
| ADHESIVE | POLYESTER | 30 |
| STIFFENER FILM | POLYESTER | 188 |

HRS

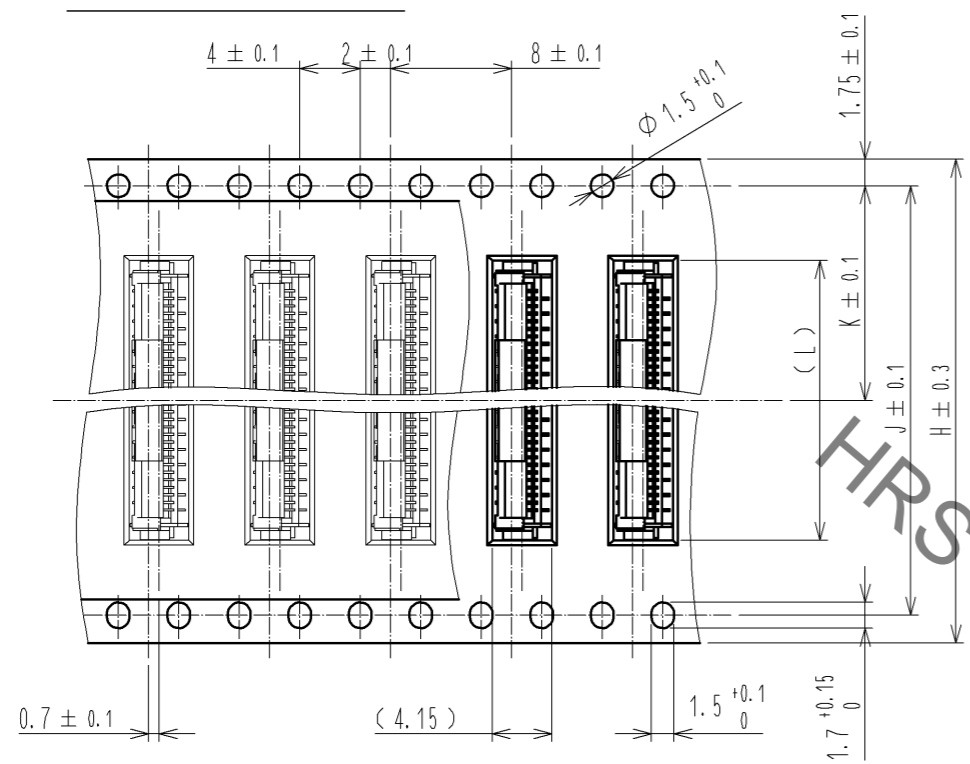
| | |
|-------------|---------------------|
| DRAWING NO. | EDC3-159266-03 |
| PART NO. | FH12-**S-0.5SVA(54) |
| CODE NO. | CL586 |

\triangle 3/5

Aug.1.2021 Copyright 2021 HIROSE ELECTRIC CO., LTD. All Rights Reserved.
 In case of consideration for using Automotive equipment / device which demand high reliability, kindly contact our sales window correspondents.

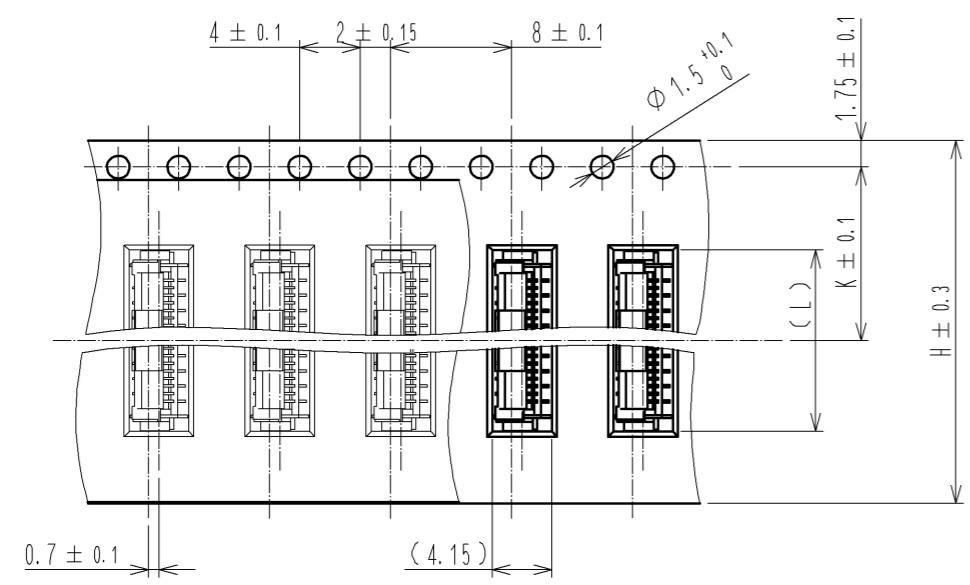
EMBOSSED CARRIER TAPE DIMENSION (2:1)

TAPE WIDTH : 32mm MIN

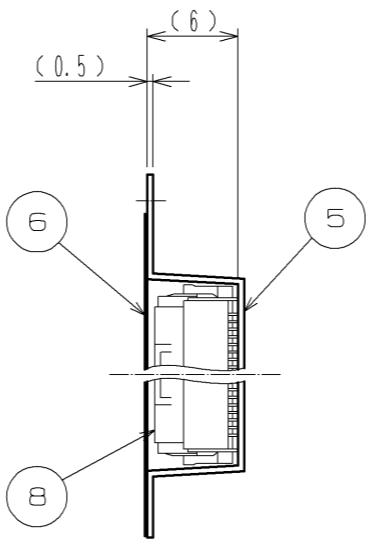
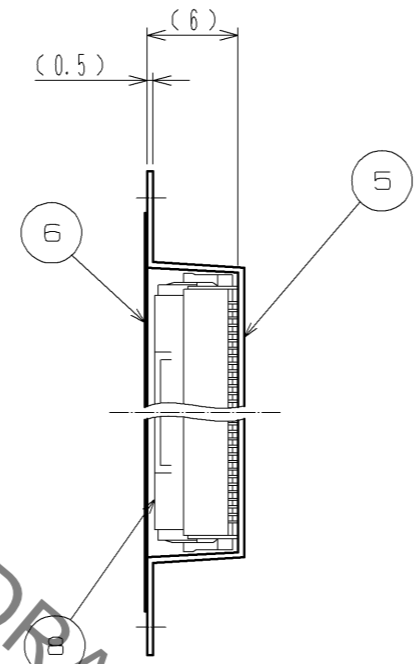


DIRECTION OF UNREELING

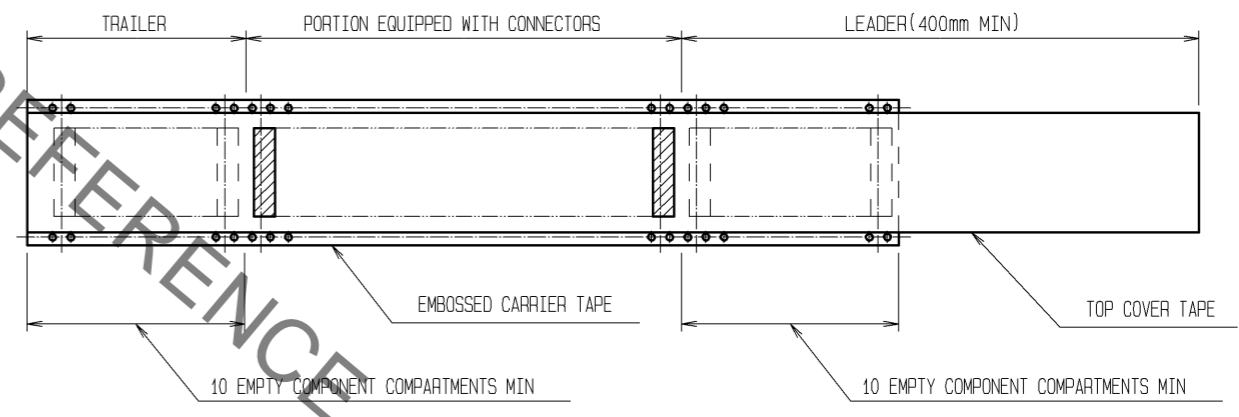
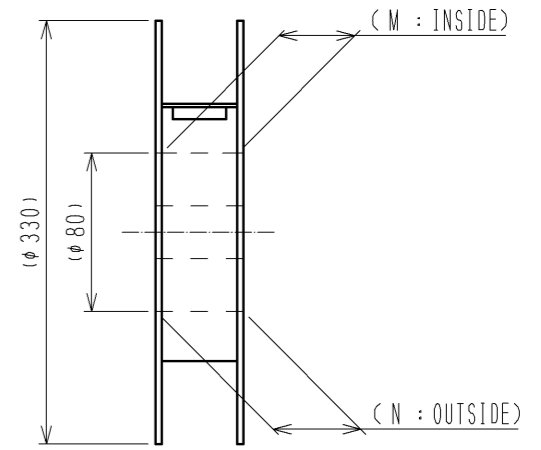
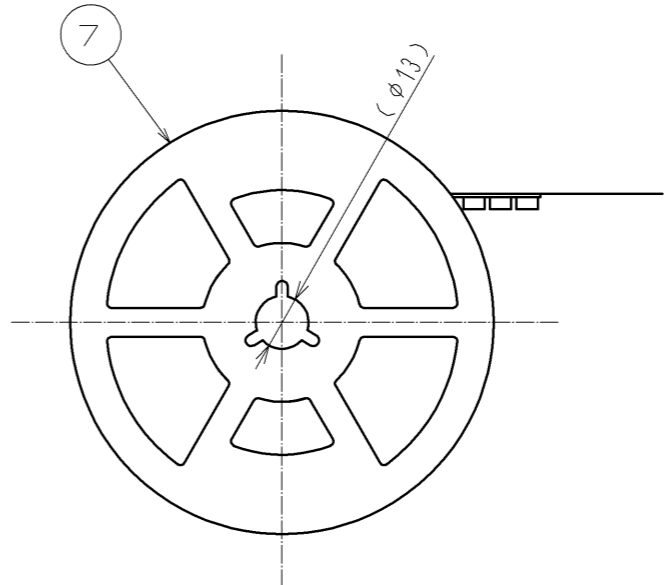
TAPE WIDTH : 24mm MAX



DIRECTION OF UNREELING



REEL DIMENSION(SHOW AS BELOW)(FREE)



NOTE 8 1REEL : 1000 CONNECTORS.

DRAWING FOR PACKING

| | | |
|------------|-------------|---------------------|
| HRS | DRAWING NO. | EDC3-159266-03 |
| | PART NO. | FH12-**S-0.5SVA(54) |
| | CODE NO. | CL586 |
| | | 4/5 |

Aug.1.2021 Copyright 2021 HIROSE ELECTRIC CO., LTD. All Rights Reserved.
In case of consideration for using Automotive equipment / device which demand high reliability, kindly contact our sales window correspondents.

| PART NO. | CODE NO. | NUMBER OF CONTACTS | DIMENSION TABLE OF CONNECTOR, FPC, FFC, PCB MOUNTING PATTERN AND STENCIL PATTERN | | | | | | | DIMENSION TABLE OF DRAWING FOR PACKING | | | | | |
|---------------------|-----------------|--------------------|--|------|------|------|------|---|------|--|------|------|------|------|------|
| | | | A | B | C | D | E | F | G | H | J | K | L | M | N |
| FH12- 6S-0.5SVA(54) | CL586-0756-4-54 | 6 | 6.4 | 4.9 | 2.5 | 4.5 | 6.2 | 2 | 3.5 | 16 | — | 7.5 | 6.5 | 17.4 | 21.4 |
| FH12-10S-0.5SVA(54) | CL586-0806-0-54 | 10 | 8.4 | 6.9 | 4.5 | 6.5 | 8.2 | 4 | 5.5 | 16 | — | 7.5 | 8.5 | 17.4 | 21.4 |
| FH12-12S-0.5SVA(54) | CL586-0757-7-54 | 12 | 9.4 | 7.9 | 5.5 | 7.5 | 9.2 | 4 | 6.5 | 16 | — | 7.5 | 9.5 | 17.4 | 21.4 |
| FH12-13S-0.5SVA(54) | CL586-0807-3-54 | 13 | 9.9 | 8.4 | 6 | 8 | 9.7 | 4 | 7 | 24 | — | 11.5 | 10 | 25.4 | 29.4 |
| FH12-15S-0.5SVA(54) | CL586-0808-6-54 | 15 | 10.9 | 9.4 | 7 | 9 | 10.7 | 4 | 8 | 24 | — | 11.5 | 11 | 25.4 | 29.4 |
| FH12-16S-0.5SVA(54) | CL586-0809-9-54 | 16 | 11.4 | 9.9 | 7.5 | 9.5 | 11.2 | 4 | 8.5 | 24 | — | 11.5 | 11.5 | 25.4 | 29.4 |
| FH12-17S-0.5SVA(54) | CL586-0810-8-54 | 17 | 11.9 | 10.4 | 8 | 10 | 11.7 | 4 | 9 | 24 | — | 11.5 | 12 | 25.4 | 29.4 |
| FH12-18S-0.5SVA(54) | CL586-0811-0-54 | 18 | 12.4 | 10.9 | 8.5 | 10.5 | 12.2 | 4 | 9.5 | 24 | — | 11.5 | 12.5 | 25.4 | 29.4 |
| FH12-20S-0.5SVA(54) | CL586-0812-3-54 | 20 | 13.4 | 11.9 | 9.5 | 11.5 | 13.2 | 4 | 10.5 | 24 | — | 11.5 | 13.5 | 25.4 | 29.4 |
| FH12-22S-0.5SVA(54) | CL586-0813-6-54 | 22 | 14.4 | 12.9 | 10.5 | 12.5 | 14.2 | 8 | 11.5 | 24 | — | 11.5 | 14.5 | 25.4 | 29.4 |
| FH12-24S-0.5SVA(54) | CL586-0814-9-54 | 24 | 15.4 | 13.9 | 11.5 | 13.5 | 15.2 | 8 | 12.5 | 24 | — | 11.5 | 15.5 | 25.4 | 29.4 |
| FH12-26S-0.5SVA(54) | CL586-0815-1-54 | 26 | 16.4 | 14.9 | 12.5 | 14.5 | 16.2 | 8 | 13.5 | 24 | — | 11.5 | 16.5 | 25.4 | 29.4 |
| FH12-30S-0.5SVA(54) | CL586-0750-8-54 | 30 | 18.4 | 16.9 | 14.5 | 16.5 | 18.2 | 8 | 15.5 | 32 | 28.4 | 14.2 | 18.5 | 33.4 | 37.4 |
| FH12-32S-0.5SVA(54) | CL586-0816-4-54 | 32 | 19.4 | 17.9 | 15.5 | 17.5 | 19.2 | 8 | 16.5 | 32 | 28.4 | 14.2 | 19.5 | 33.4 | 37.4 |
| FH12-33S-0.5SVA(54) | CL586-0818-0-54 | 33 | 19.9 | 18.4 | 16 | 18 | 19.7 | 8 | 17 | 32 | 28.4 | 14.2 | 20 | 33.4 | 37.4 |
| FH12-34S-0.5SVA(54) | CL586-0817-7-54 | 34 | 20.4 | 18.9 | 16.5 | 18.5 | 20.2 | 8 | 17.5 | 44 | 40.4 | 20.2 | 20.5 | 45.4 | 49.4 |
| FH12-36S-0.5SVA(54) | CL586-0819-2-54 | 36 | 21.4 | 19.9 | 17.5 | 19.5 | 21.2 | 8 | 18.5 | 44 | 40.4 | 20.2 | 21.5 | 45.4 | 49.4 |
| FH12-40S-0.5SVA(54) | CL586-0804-5-54 | 40 | 23.4 | 21.9 | 19.5 | 21.5 | 23.2 | 8 | 20.5 | 44 | 40.4 | 20.2 | 23.5 | 45.4 | 49.4 |
| FH12-45S-0.5SVA(54) | CL586-0820-1-54 | 45 | 25.9 | 24.4 | 22 | 24 | 25.7 | 8 | 23 | 44 | 40.4 | 20.2 | 26 | 45.4 | 49.4 |
| FH12-49S-0.5SVA(54) | CL586-0821-4-54 | 49 | 27.9 | 26.4 | 24 | 26 | 27.7 | 8 | 25 | 44 | 40.4 | 20.2 | 28 | 45.4 | 49.4 |
| FH12-50S-0.5SVA(54) | CL586-0805-8-54 | 50 | 28.4 | 26.9 | 24.5 | 26.5 | 28.2 | 8 | 25.5 | 44 | 40.4 | 20.2 | 28.5 | 45.4 | 49.4 |
| FH12-60S-0.5SVA(54) | CL586-0749-9-54 | 60 | 33.4 | 31.9 | 29.5 | 31.5 | 33.2 | 8 | 30.5 | 56 | 52.4 | 26.2 | 33.5 | 57.4 | 61.4 |

| | | |
|------------|-------------|---------------------|
| HRS | DRAWING NO. | EDC3-159266-03 |
| | PART NO. | FH12-**S-0.5SVA(54) |
| | CODE NO. | CL586 |
| | | △ 5/5 |

X-ON Electronics

Largest Supplier of Electrical and Electronic Components

Click to view similar products for [FFC & FPC Connectors](#) category:

Click to view products by [Hirose](#) manufacturer:

Other Similar products are found below :

[FPH-1422G](#) [FPH-1602G](#) [K-FC20](#) [FH29B-80S-0.2SHW\(99\)](#) [FPH-2022G](#) [AYF332735](#) [52610-1075](#) [52610-1275](#) [52610-1934](#) [501864-3091-TR225](#) [086222026001800](#) [52610-0675](#) [62684-36210E9ALF](#) [52746-1671-TR250](#) [10051922-2810EHLF](#) [6-520415-9](#) [SFV6R-1STE9HLF](#) [XF3M-2915-1B-R100](#) [1658549-1](#) [AYF534065TA](#) [AYF351525](#) [086212040340800+](#) [AYF530365TA](#) [67000-014LF](#) [67000-004LF](#) [006207341915000+](#) [DS1020-19RT1D](#) [67000-003LF](#) [67000-011LF](#) [67000-016LF](#) [HFW14R-2STE9LF](#) [SFV32R-2STBE9HLF](#) [SFW12R-5STE9LF](#) [SFW18R-1STAE9LF](#) [SFW4R-5STE9LF](#) [52807-0430](#) [046283021002868+](#) [THD1015-8CL-SN](#) [67000-006LF](#) [502250-8027](#) [104267-9617](#) [66987-011LF](#) [AYF362535](#) [F0501-T-50-20T-R](#) [F1003-ZV-12-25T-R](#) [HFW8S-2STAE1HLF](#) [67000-008LF](#) [67000-012LF](#) [ECC576069EU](#) [F1002-B-20-20T-R](#)