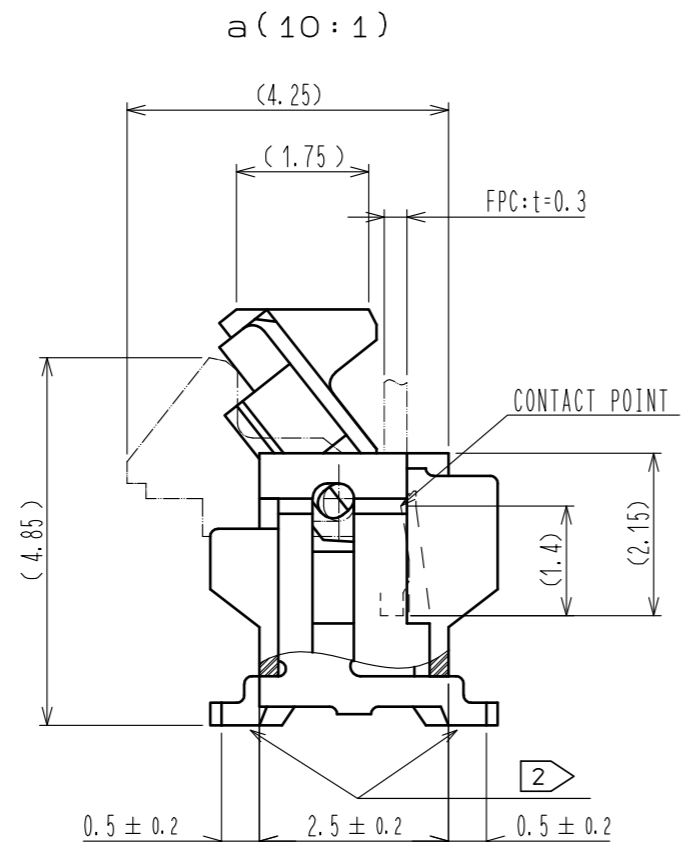
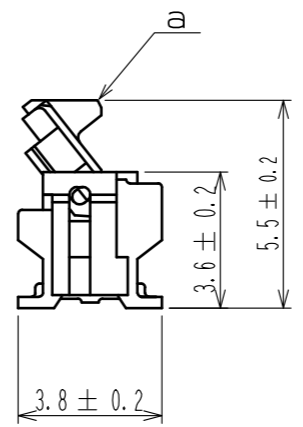
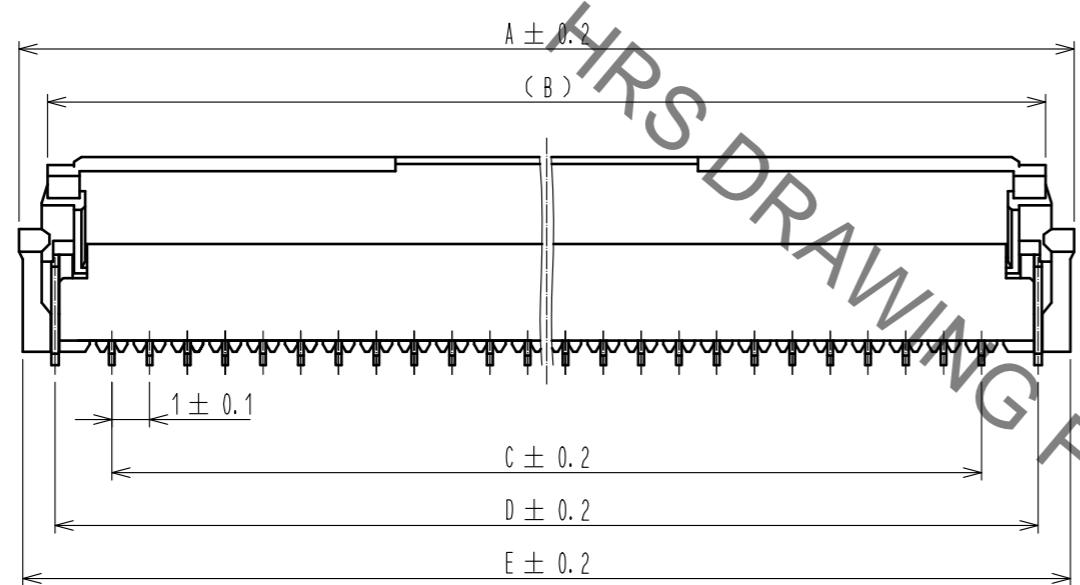
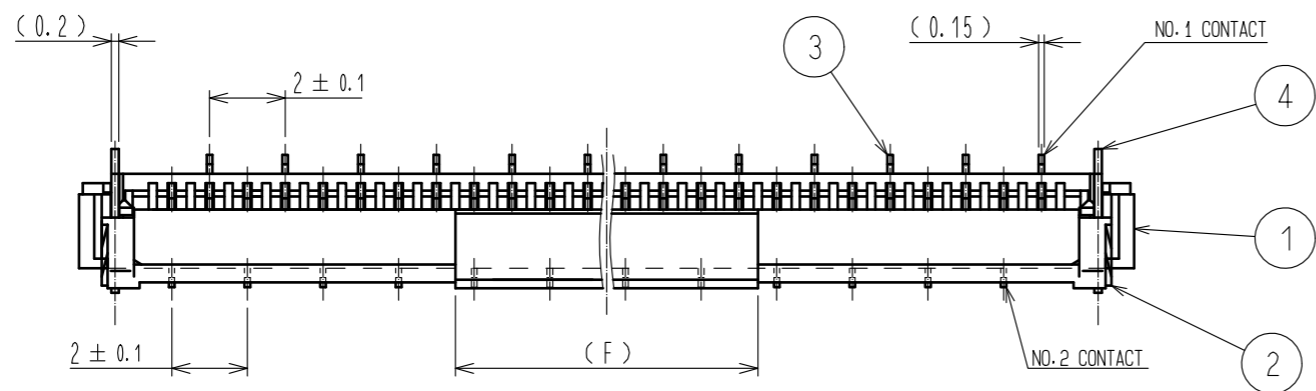


Aug.1.2021 Copyright 2021 HIROSE ELECTRIC CO., LTD. All Rights Reserved.  
In case of consideration for using Automotive equipment / device which demand high reliability, kindly contact our sales window correspondents.



- NOTE 1 THE DIMENSIONS IN PARENTHESES ARE FOR REFERENCE.  
 2 LEAD CO-PLANARITY SHALL BE 0.1 MAX.  
 3 SEE DIMENSION TABLE IN THE APPENDIX.  
 4 DIFFERENCES OF THE GOLD PLATED AREA DO NOT INFLUENCE ON THE PRODUCT PERFORMANCE.  
 5 'n' REPRESENTS THE NUMBER OF CONTACTS.

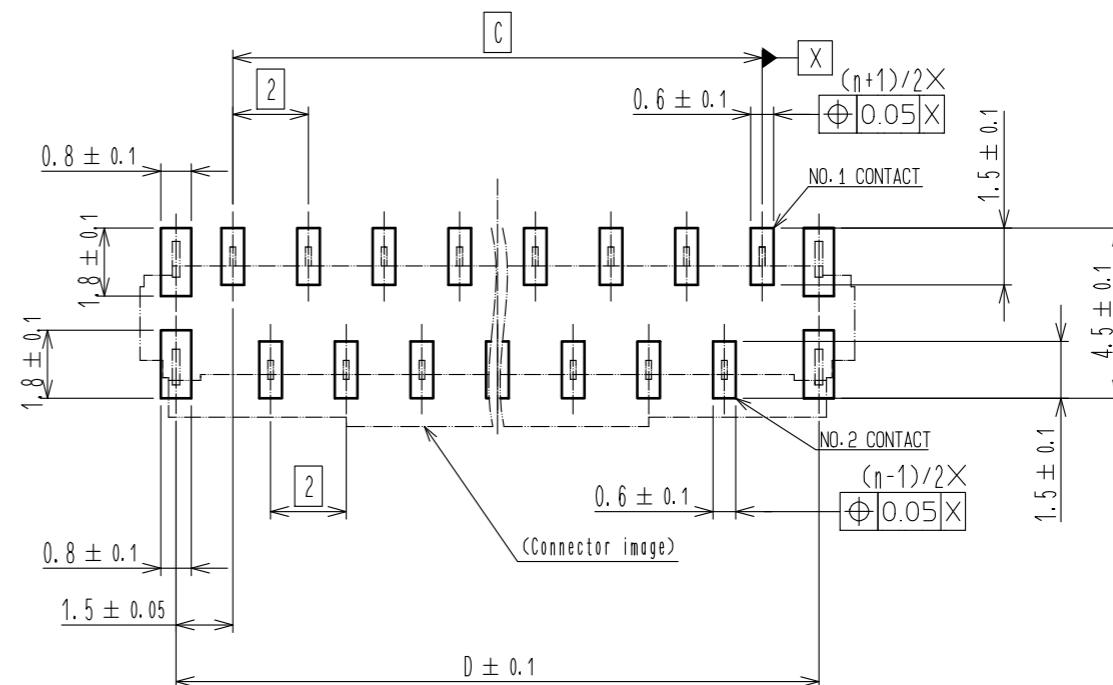
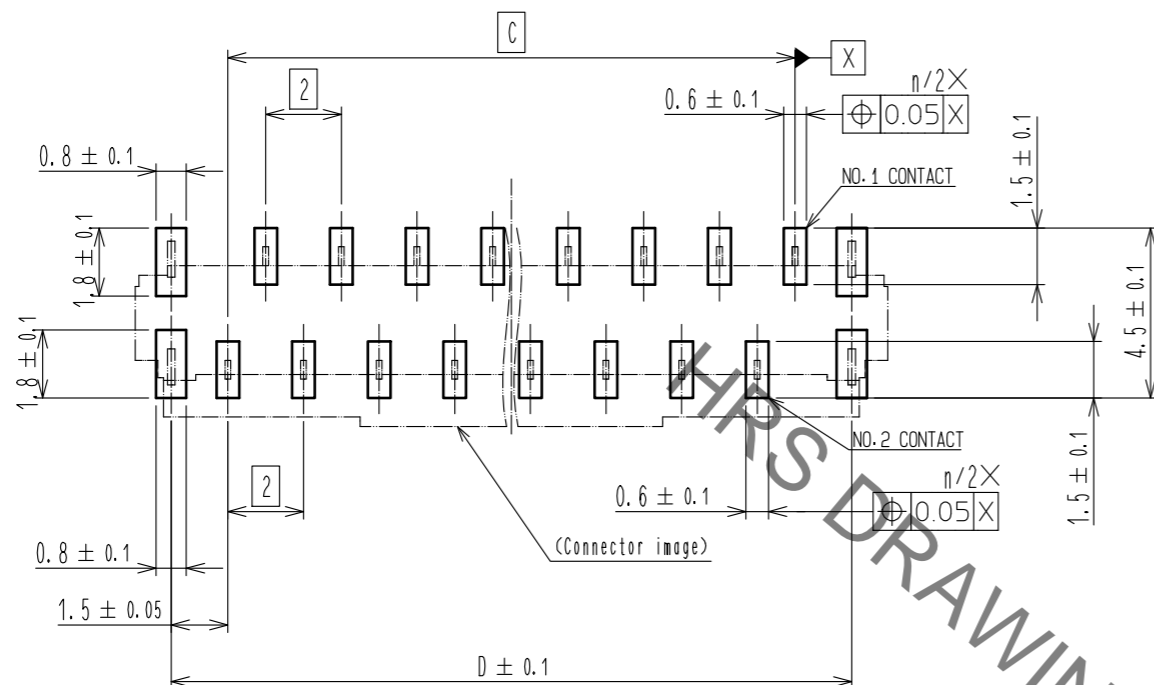
3	PHOSPHOR BRONZE	(CONTACT AREA, LEAD) GOLD PLATING 0.05μmMIN OVER NICKEL 1μmMIN (OTHER) NICKEL PLATING 1μmMIN	8 (CONNECTOR) 7 POLYSTYRENE 6 POLYESTER
2	PPS	(DEEP BROWN) UL94V-0	5 POLYSTYRENE
1	PA	(BEIGE) UL94V-0	4 BRASS TIN PLATING 1μm MIN-OVER NICKEL 1μm MIN.
NO.	MATERIAL	FINISH . REMARKS	NO. MATERIAL FINISH . REMARKS
UNITS mm		SCALE 5 : 1	COUNT 7
HIROSE ELECTRIC CO., LTD.		DESCRIPTION OF REVISIONS DESIGNED : SE. YOKOYAMA CHECKED : HS. SAKAMOTO DATE : 20190718	DESIGNED : NF. MIYAZAKI CHECKED : HS. SAKAMOTO DATE : 20150916
		DRAWING NO. EDC-366184-00-00	PART NO. FH12- ** S-1SVA(54)
		CODE NO. CL586	1/5

Aug.1.2021 Copyright 2021 HIROSE ELECTRIC CO., LTD. All Rights Reserved.  
In case of consideration for using Automotive equipment / device which demand high reliability, kindly contact our sales window correspondents.

### RECOMMENDED PCB MOUNTING PATTERN

NUMBER OF CONTACTS: EVEN NUMBER

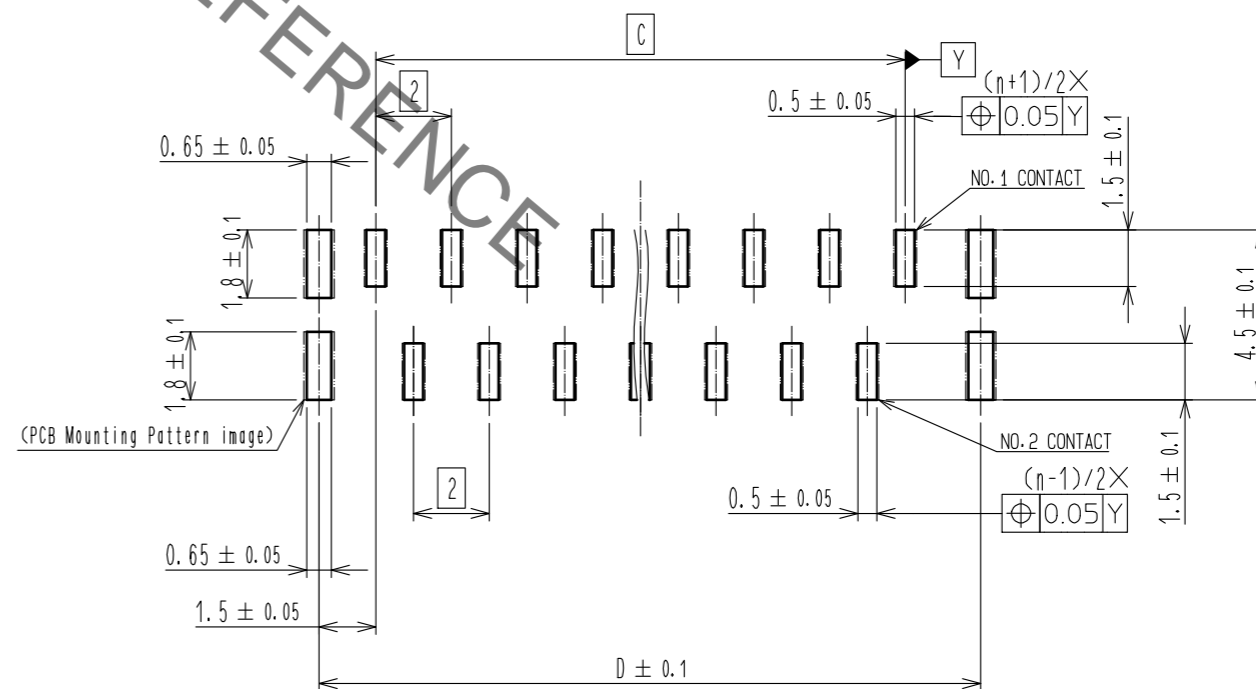
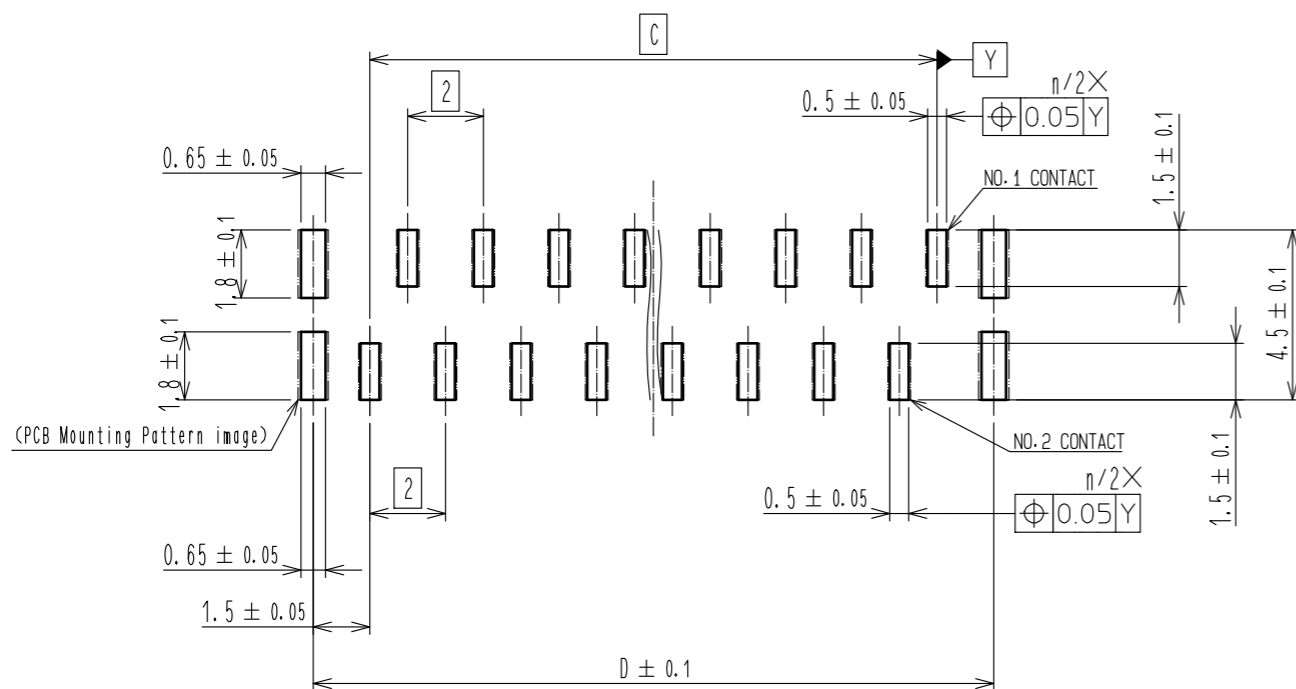
NUMBER OF CONTACTS: ODD NUMBER



### RECOMMENDED STENCIL PATTERN (RECOMMENDED STENCIL THICKNESS: t=0.15)

NUMBER OF CONTACTS: EVEN NUMBER

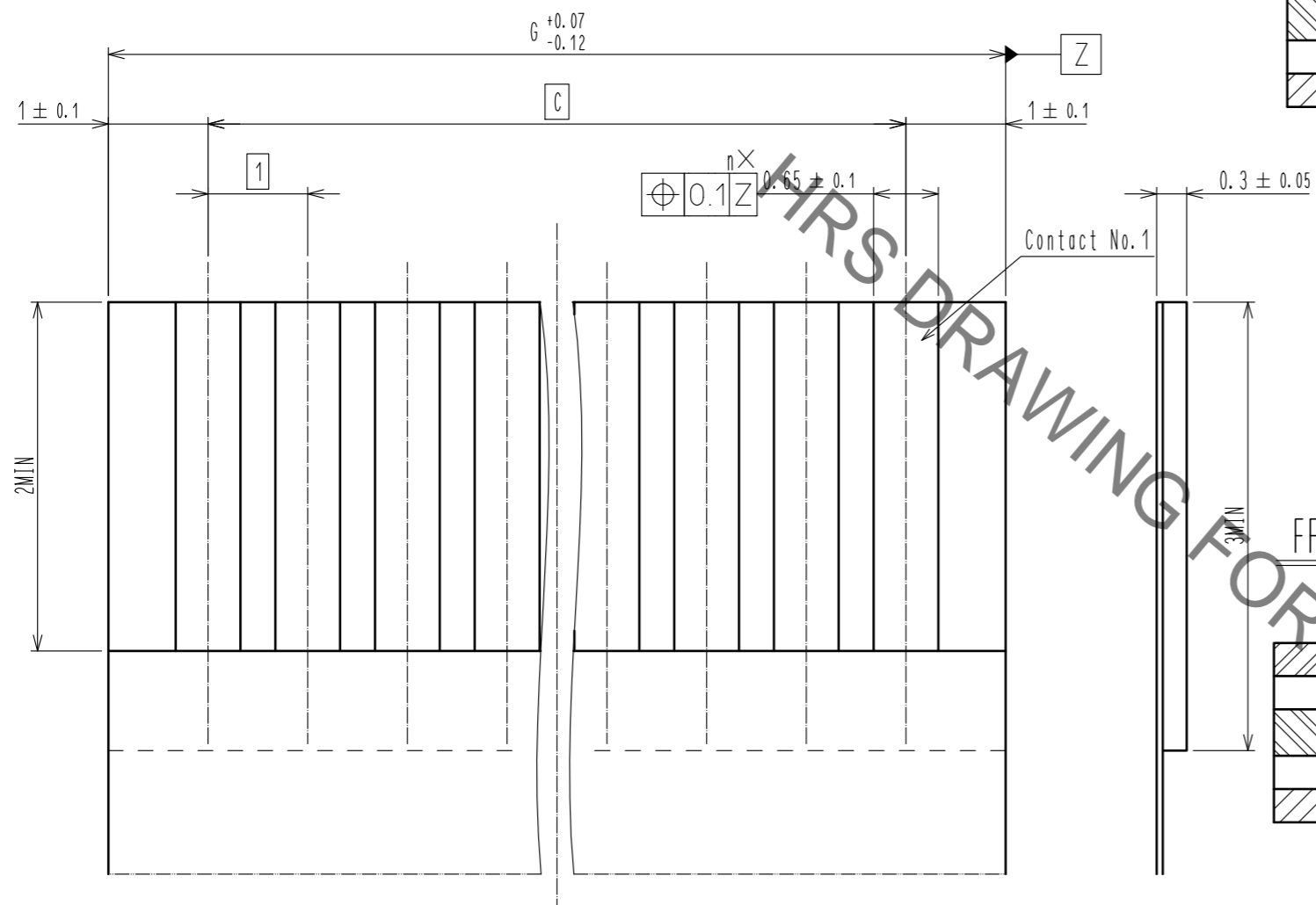
NUMBER OF CONTACTS: ODD NUMBER



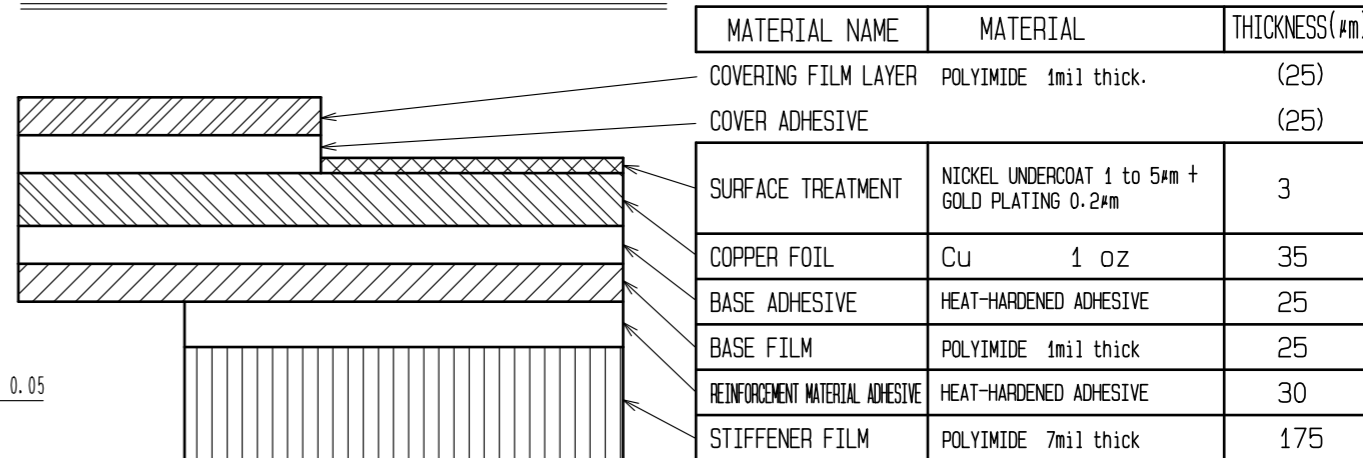
<b>HRS</b>	DRAWING NO.	EDC-366184-00-00
	PART NO.	FH12-***S-1SVA(54)
	CODE NO.	CL586
		2/5

Aug.1.2021 Copyright 2021 HIROSE ELECTRIC CO., LTD. All Rights Reserved.  
In case of consideration for using Automotive equipment / device which demand high reliability, kindly contact our sales window correspondents.

RECOMMENDED FPC/FFC (15:1)

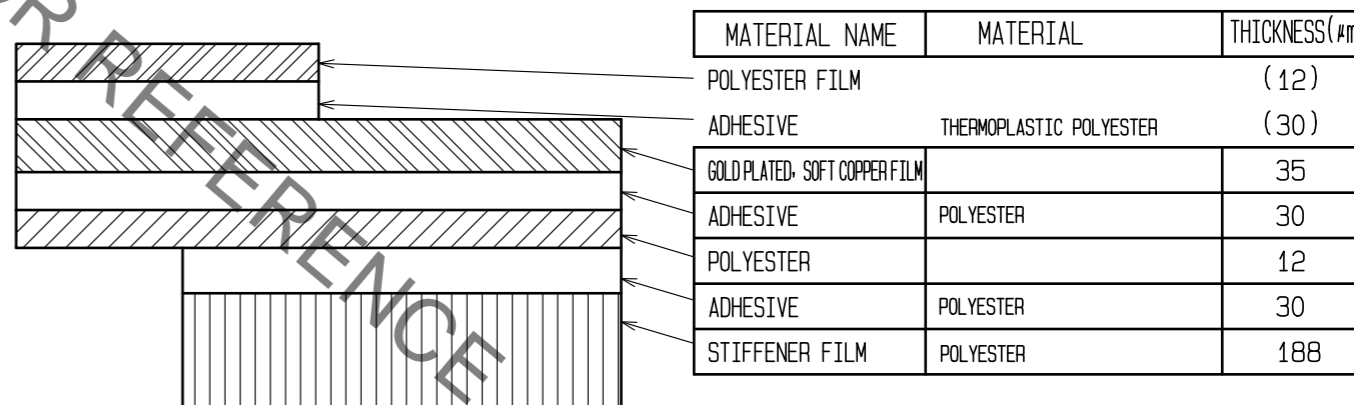


FPC CONFIGURATION (REFERENCE EXAMPLE) (SCALE:FREE)



MATERIAL NAME	MATERIAL	THICKNESS(μm)
COVERING FILM LAYER	POLYIMIDE 1mil thick.	(25)
COVER ADHESIVE		(25)
SURFACE TREATMENT	NICKEL UNDERCOAT 1 to 5μm + GOLD PLATING 0.2μm	3
COPPER FOIL	CU 1 oz	35
BASE ADHESIVE	HEAT-HARDENED ADHESIVE	25
BASE FILM	POLYIMIDE 1mil thick	25
REINFORCEMENT MATERIAL ADHESIVE	HEAT-HARDENED ADHESIVE	30
STIFFENER FILM	POLYIMIDE 7mil thick	175

FFC CONFIGURATION (REFERENCE EXAMPLE) (SCALE:FREE)



MATERIAL NAME	MATERIAL	THICKNESS(μm)
POLYESTER FILM		(12)
ADHESIVE	THERMOPLASTIC POLYESTER	(30)
GOLD PLATED SOFT COPPER FILM		35
ADHESIVE	POLYESTER	30
POLYESTER		12
ADHESIVE	POLYESTER	30
STIFFENER FILM	POLYESTER	188



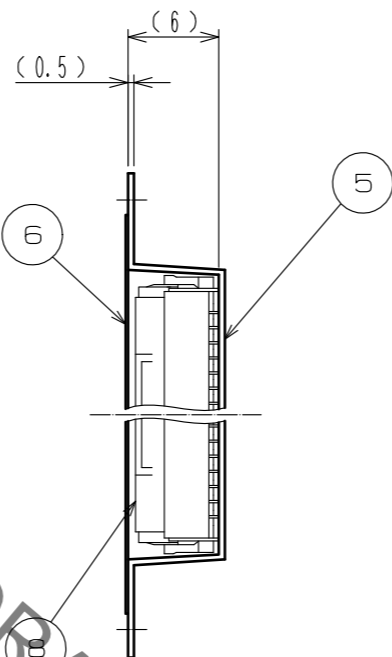
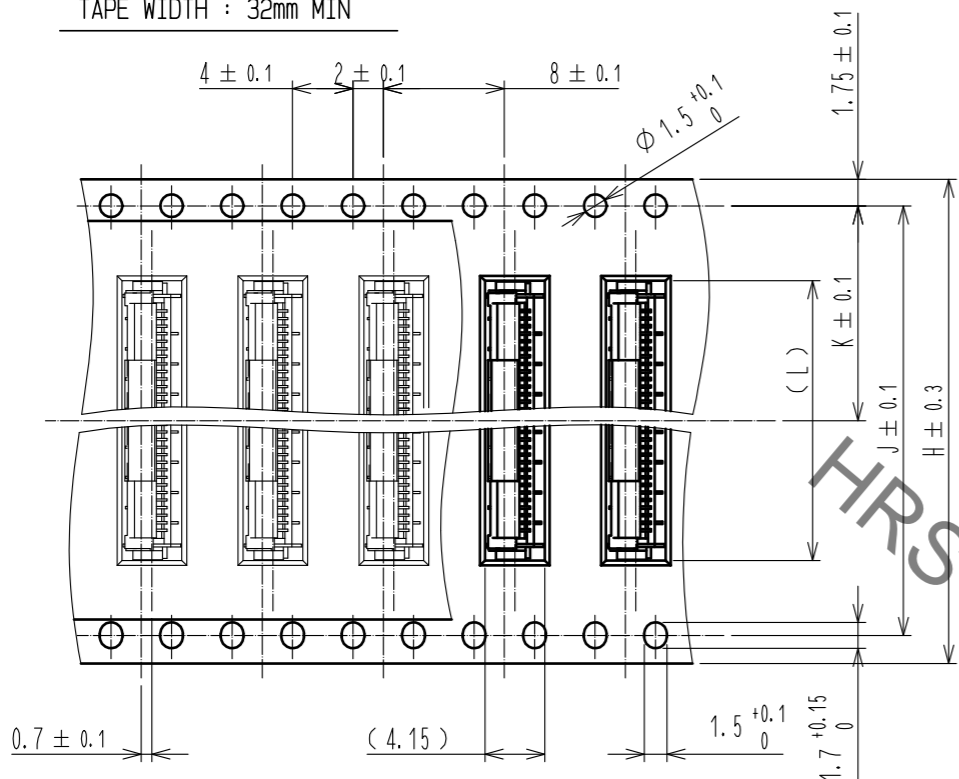
DRAWING NO.	EDC-366184-00-00
PART NO.	FH12-**S-1SVA(54)
CODE NO.	CL586

3/5

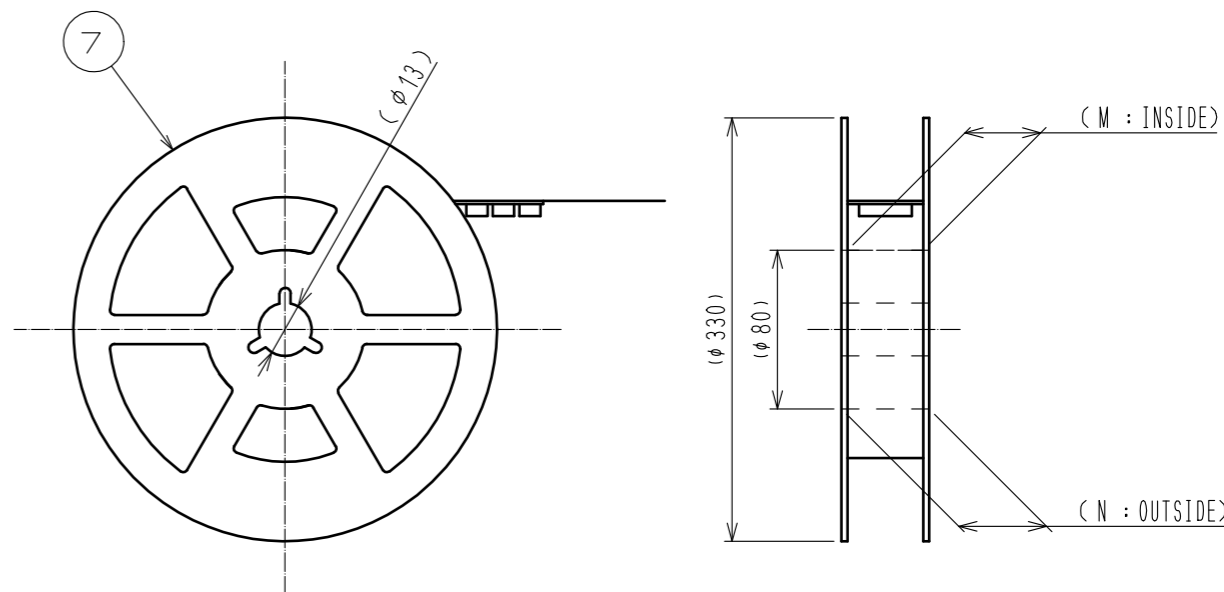
Aug.1.2021 Copyright 2021 HIROSE ELECTRIC CO., LTD. All Rights Reserved.  
 In case of consideration for using Automotive equipment / device which demand high reliability, kindly contact our sales window correspondents.

EMBOSSED CARRIER TAPE DIMENSION (2:1)

TAPE WIDTH : 32mm MIN

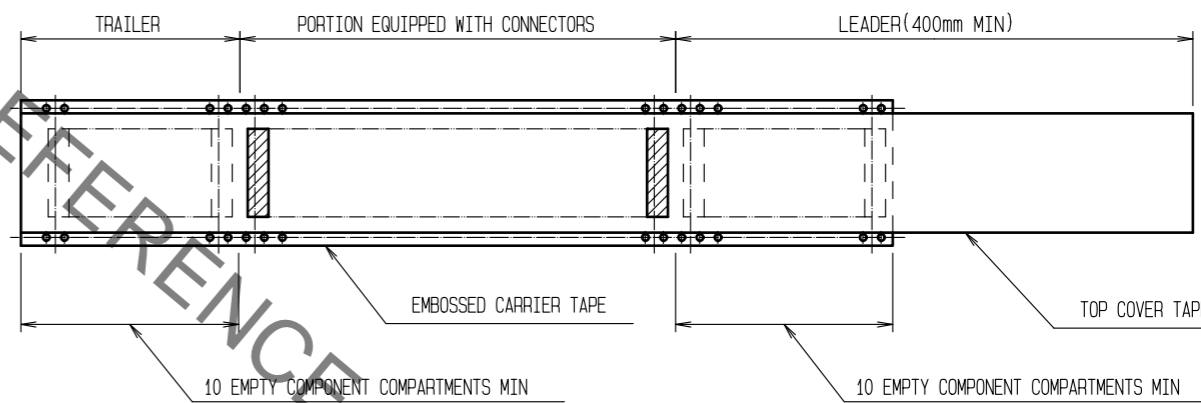
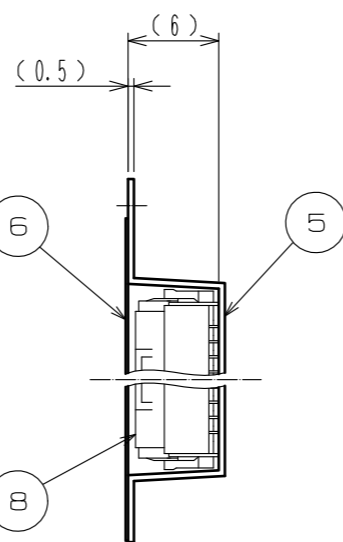
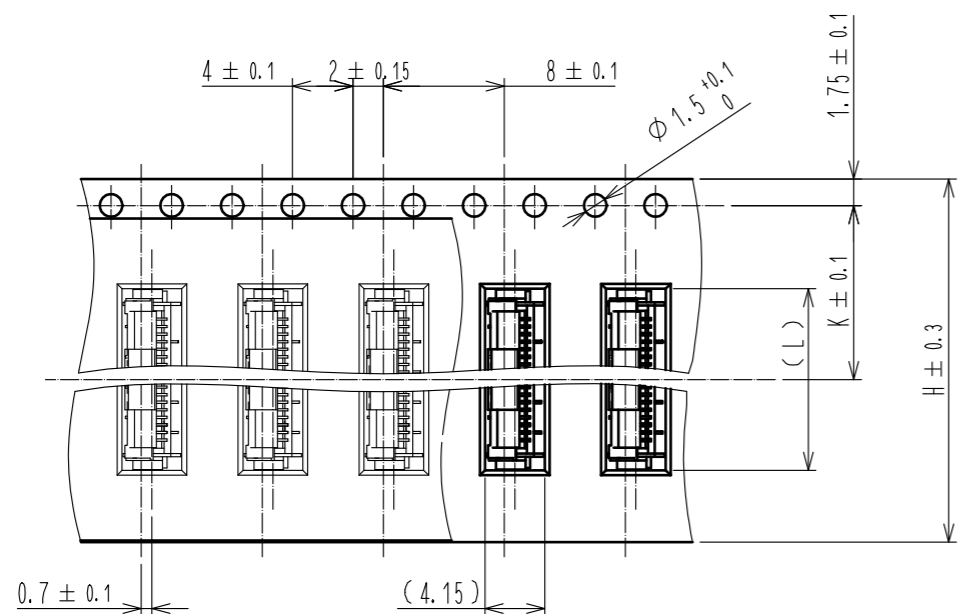


REEL DIMENSION(SHOW AS BELOW)(FREE)



DIRECTION OF UNREELING

TAPE WIDTH : 24mm MAX



NOTE 6 1REEL : 1000 CONNECTORS.

DRAWING FOR PACKING

**HRS**

DRAWING NO.	EDC-366184-00-00
PART NO.	FH12-***S-1SVA(54)
CODE NO.	CL586

4/5

Aug.1.2021 Copyright 2021 HIROSE ELECTRIC CO., LTD. All Rights Reserved.  
 In case of consideration for using Automotive equipment / device which demand high reliability, kindly contact our sales window correspondents.

	PART NO.	CODE NO.	NUMBER OF CONTACTS	DIMENSION TABLE OF CONNECTOR, FPC, FFC, PCB MOUNTING PATTERN AND STENCIL PATTERN							DIMENSION TABLE OF DRAWING FOR PACKING					
				A	B	C	D	E	F	G	H	J	K	L	M	N
△	FH12- 6S-1SVA(54)	CL586-0822-0-54	6	9.9	8.4	5	8	9.7	4	7	24	—	11.5	10	25.4	29.4
△	FH12- 7S-1SVA(54)	CL586-0823-0-54	7	10.9	9.4	6	9	10.7	4	8	24	—	11.5	11	25.4	29.4
△	FH12- 8S-1SVA(54)	CL586-0824-0-54	8	11.9	10.4	7	10	11.7	4	9	24	—	11.5	12	25.4	29.4
△	FH12-16S-1SVA(54)	CL586-0825-0-54	16	19.9	18.4	15	18	19.7	8	17	32	28.4	14.2	20	33.4	37.4
△	FH12-20S-1SVA(54)	CL586-0826-0-54	20	23.9	22.4	19	22	23.7	8	21	44	40.4	20.2	24	45.4	49.4
△	FH12-22S-1SVA(54)	CL586-0827-0-54	22	25.9	24.4	21	24	25.7	8	23	44	40.4	20.2	26	45.4	49.4
△	FH12-24S-1SVA(54)	CL586-0828-0-54	24	27.9	26.4	23	26	27.7	8	25	44	40.4	20.2	28	45.4	49.4

THIS DRAWING FOR REFERENCE

<b>HRS</b>	DRAWING NO.	EDC-366184-00-00
	PART NO.	FH12-**S-1SVA(54)
	CODE NO.	CL586

△ 5/5

## X-ON Electronics

Largest Supplier of Electrical and Electronic Components

*Click to view similar products for [FFC & FPC Connectors](#) category:*

*Click to view products by [Hirose](#) manufacturer:*

Other Similar products are found below :

[K-FC20](#) [FH29B-80S-0.2SHW\(99\)](#) [FPH-2022G](#) [AYF332735](#) [52610-1075](#) [52610-1275](#) [52610-1934](#) [501864-3091-TR225](#) [086222026001800](#)  
[52610-0675](#) [62684-36210E9ALF](#) [52746-1671-TR250](#) [10051922-2810EHLF](#) [6-520415-9](#) [SFV6R-1STE9HLF](#) [XF3M-2915-1B-R100](#)  
[1658549-1](#) [46214008010800](#) [AYF534065TA](#) [AYF351525](#) [086212040340800+](#) [AYF530365TA](#) [67000-014LF](#) [67000-004LF](#)  
[006207341915000+](#) [DS1020-19RT1D](#) [67000-003LF](#) [67000-011LF](#) [67000-016LF](#) [HFW14R-2STE9LF](#) [SFV32R-2STBE9HLF](#) [SFW12R-](#)  
[5STE9LF](#) [SFW18R-1STAE9LF](#) [SFW4R-5STE9LF](#) [52807-0430](#) [046283021002868+](#) [THD1015-8CL-SN](#) [67000-006LF](#) [502250-8027](#)  
[104267-9617](#) [66987-011LF](#) [AYF362535](#) [F0501-T-50-20T-R](#) [HFW8S-2STAE1HLF](#) [67000-008LF](#) [67000-012LF](#) [ECC576069EU](#) [F1002-B-](#)  
[20-20T-R](#) [HFW15S-2STAE1HLF](#) [0781271110](#)