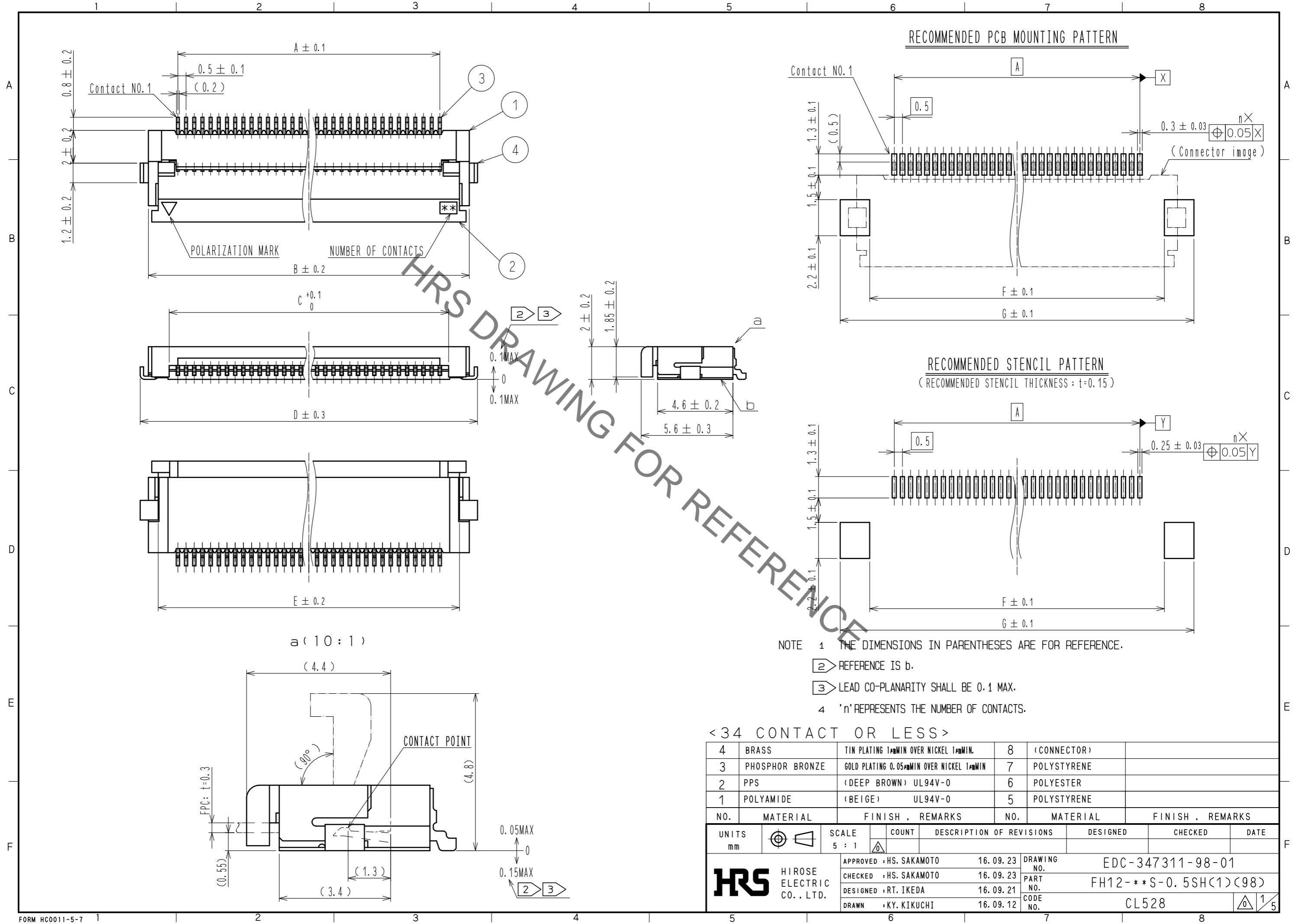
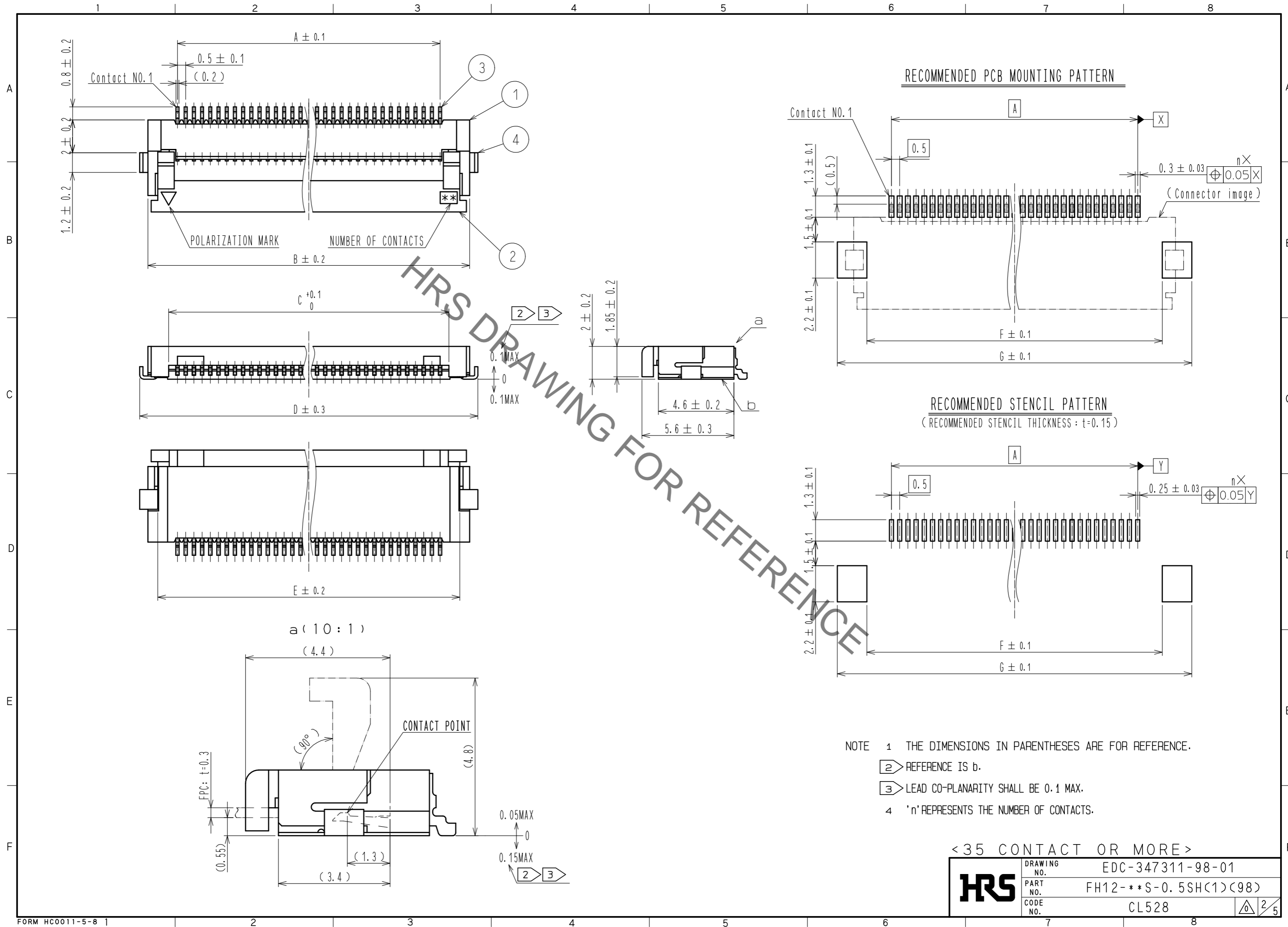


Dec.1.2021 Copyright 2021 HIROSE ELECTRIC CO., LTD. All Rights Reserved.  
In case of consideration for using Automotive equipment / device which demand high reliability, kindly contact our sales window correspondents.

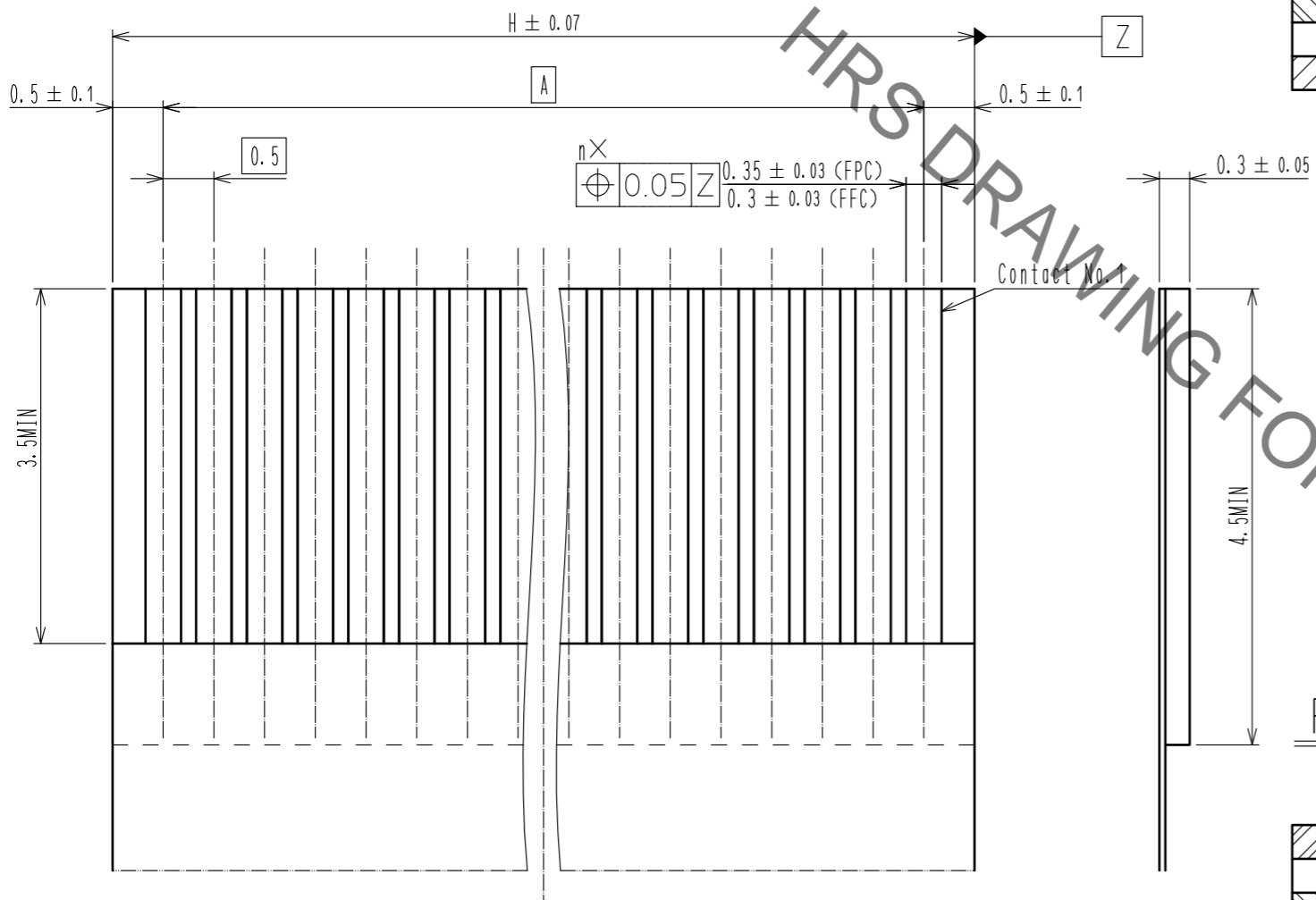


Dec.1.2021 Copyright 2021 HIROSE ELECTRIC CO., LTD. All Rights Reserved.  
In case of consideration for using Automotive equipment / device which demand high reliability, kindly contact our sales window correspondents.

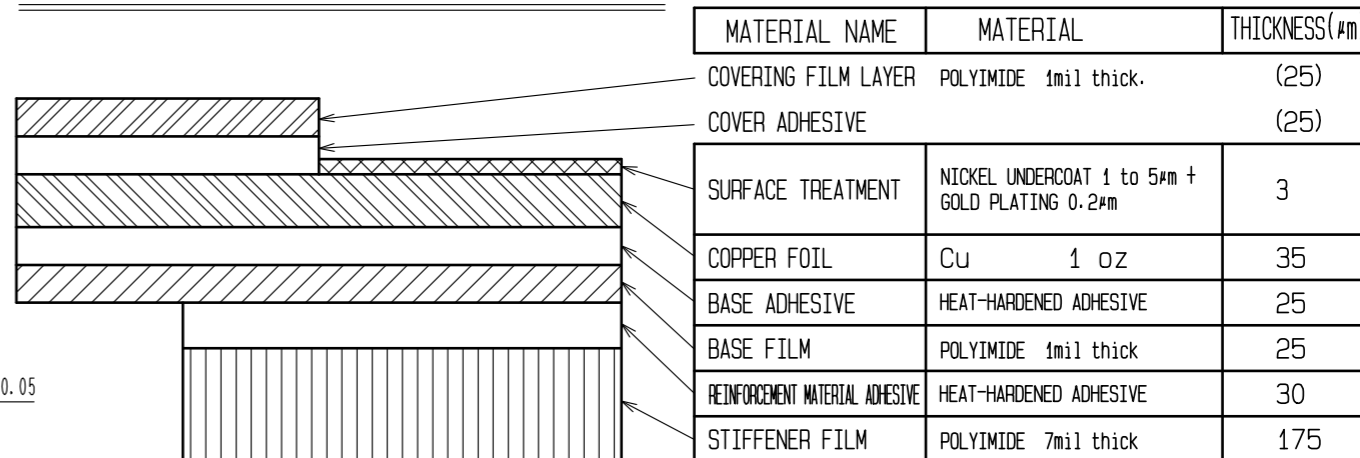


Dec.1.2021 Copyright 2021 HIROSE ELECTRIC CO., LTD. All Rights Reserved.  
In case of consideration for using Automotive equipment / device which demand high reliability, kindly contact our sales window correspondents.

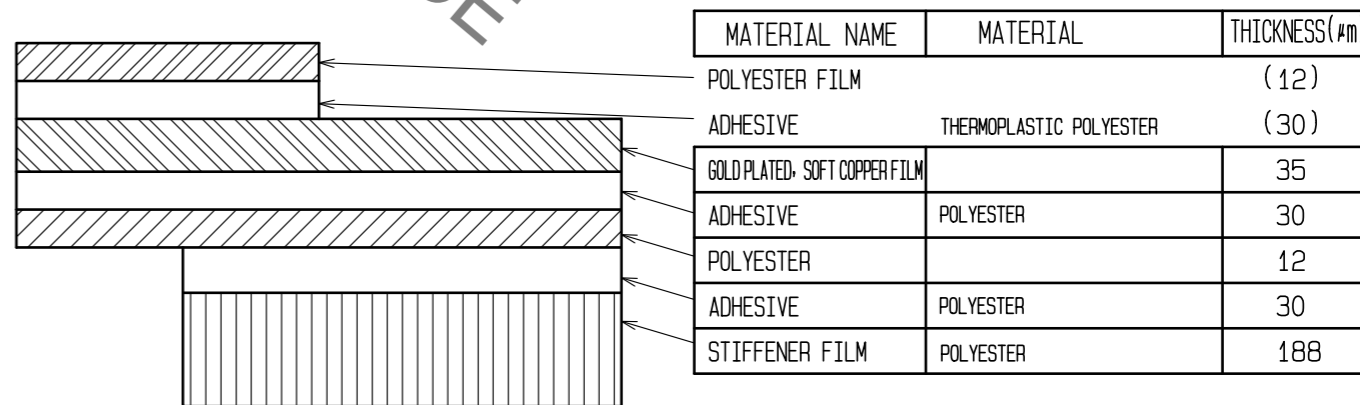
RECOMMENDED FPC/FFC (15:1)



FPC CONFIGURATION (REFERENCE EXAMPLE) (SCALE:FREE)



FFC CONFIGURATION (REFERENCE EXAMPLE) (SCALE:FREE)

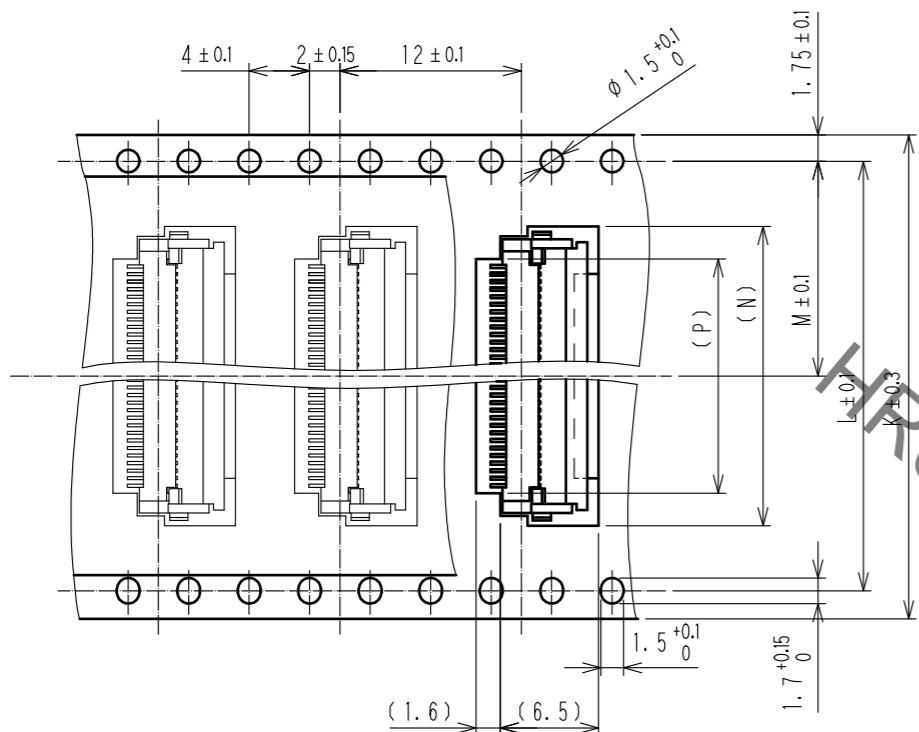


|            |             |                       |
|------------|-------------|-----------------------|
| <b>HRS</b> | DRAWING NO. | EDC-347311-98-01      |
|            | PART NO.    | FH12-**S-0.5SH(1)(98) |
|            | CODE NO.    | CL528                 |
|            |             | 3/5                   |

Dec.1.2021 Copyright 2021 HIROSE ELECTRIC CO., LTD. All Rights Reserved.  
 In case of consideration for using Automotive equipment / device which demand high reliability, kindly contact our sales window correspondents.

EMBOSSED CARRIER TAPE DIMENSION(2:1)

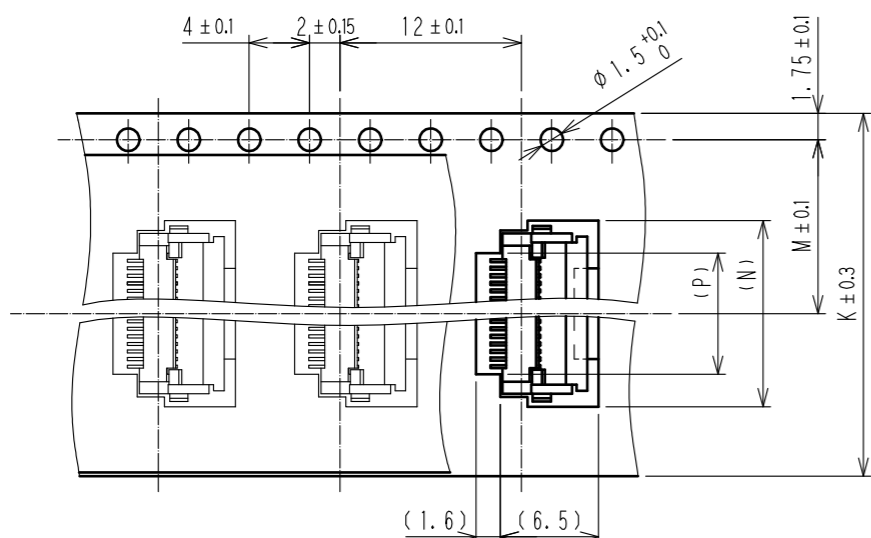
TAPE WIDTH:32mm MIN



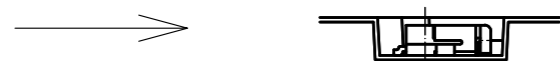
DIRECTION OF UNREELING



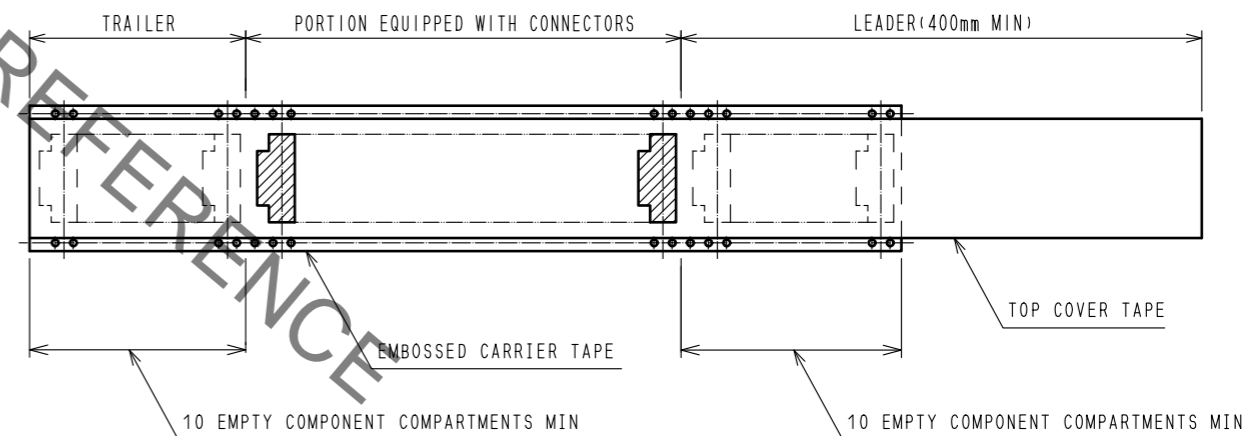
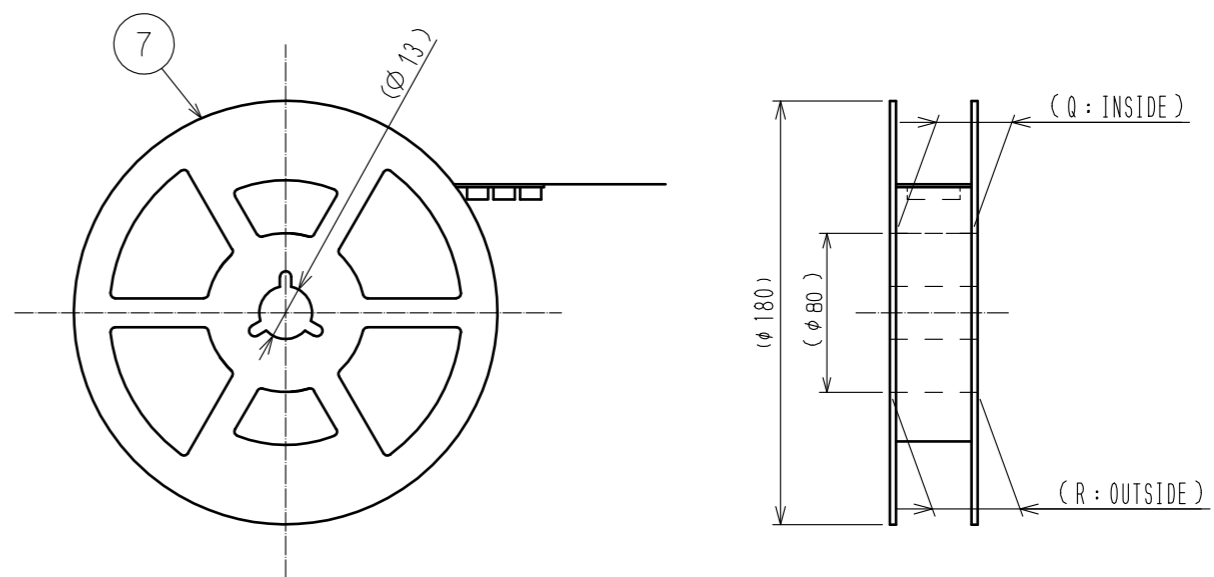
TAPE WIDTH:24mm MAX



DIRECTION OF UNREELING



REEL DIMENSION (FREE)



5 PER REEL:500 CONNECTORS.  
 6 SEE DIMENSION TABLE IN THE APPENDIX.

<DRAWING FOR PACKING>

|            |             |                        |
|------------|-------------|------------------------|
| <b>HRS</b> | DRAWING NO. | EDC-347311-98-01       |
|            | PART NO.    | FH12-***S-0.5SH(1)(98) |
|            | CODE NO.    | CL528                  |
|            |             | 4/5                    |

Dec.1.2021 Copyright 2021 HIROSE ELECTRIC CO., LTD. All Rights Reserved.  
In case of consideration for using Automotive equipment / device which demand high reliability, kindly contact our sales window correspondents.

| PART NO.              | CODE NO.        | NUMBER OF CONTACT | DIMENSION TABLE OF CONNECTOR, FPC, FFC, PCB MOUNTING PATTERN AND STENCIL PATTERN |      |       |      |      |      |      |      |    | DIMENSION TABLE OF DRAWING FOR PACKING |      |      |      |      |      |
|-----------------------|-----------------|-------------------|--|------|-------|------|------|------|------|------|----|--|------|------|------|------|------|
|                       |                 |                   | A  | B    | C     | D    | E    | F    | G    | H    | K  | L                                      | M    | N    | P    | Q    | R    |
| FH12-6S-0.5SH(1)(98)  | CL528-0001-0-98 | 6                 | 2.5  | 6.1  | 3.57  | 7.1  | 4.9  | 4.5  | 8.1  | 3.5  | 16 | —                                      | 7.5  | 7.8  | 3.5  | 17.4 | 21.4 |
| FH12-8S-0.5SH(1)(98)  | CL528-0002-2-98 | 8                 | 3.5  | 7.1  | 4.57  | 8.1  | 5.9  | 5.5  | 9.1  | 4.5  | 16 | —                                      | 7.5  | 8.8  | 4.5  | 17.4 | 21.4 |
| FH12-10S-0.5SH(1)(98) | CL528-0003-5-98 | 10                | 4.5  | 8.1  | 5.57  | 9.1  | 6.9  | 6.5  | 10.1 | 5.5  | 16 | —                                      | 7.5  | 9.8  | 5.5  | 17.4 | 21.4 |
| FH12-11S-0.5SH(1)(98) | CL528-0004-8-98 | 11                | 5  | 8.6  | 6.07  | 9.6  | 7.4  | 7    | 10.6 | 6    | 16 | —                                      | 7.5  | 10.3 | 6    | 17.4 | 21.4 |
| FH12-12S-0.5SH(1)(98) | CL528-0005-0-98 | 12                | 5.5  | 9.1  | 6.57  | 10.1 | 7.9  | 7.5  | 11.1 | 6.5  | 24 | —                                      | 11.5 | 10.8 | 6.5  | 25.4 | 29.4 |
| FH12-13S-0.5SH(1)(98) | CL528-0006-3-98 | 13                | 6  | 9.6  | 7.07  | 10.6 | 8.4  | 8    | 11.6 | 7    | 24 | —                                      | 11.5 | 11.3 | 7    | 25.4 | 29.4 |
| FH12-14S-0.5SH(1)(98) | CL528-0007-6-98 | 14                | 6.5  | 10.1 | 7.57  | 11.1 | 8.9  | 8.5  | 12.1 | 7.5  | 24 | —                                      | 11.5 | 11.8 | 7.5  | 25.4 | 29.4 |
| FH12-15S-0.5SH(1)(98) | CL528-0008-9-98 | 15                | 7  | 10.6 | 8.07  | 11.6 | 9.4  | 9    | 12.6 | 8    | 24 | —                                      | 11.5 | 12.3 | 8    | 25.4 | 29.4 |
| FH12-16S-0.5SH(1)(98) | CL528-0009-1-98 | 16                | 7.5  | 11.1 | 8.57  | 12.1 | 9.9  | 9.5  | 13.1 | 8.5  | 24 | —                                      | 11.5 | 12.8 | 8.5  | 25.4 | 29.4 |
| FH12-17S-0.5SH(1)(98) | CL528-0010-0-98 | 17                | 8  | 11.6 | 9.07  | 12.6 | 10.4 | 10   | 13.6 | 9    | 24 | —                                      | 11.5 | 13.3 | 9    | 25.4 | 29.4 |
| FH12-18S-0.5SH(1)(98) | CL528-0011-3-98 | 18                | 8.5  | 12.1 | 9.57  | 13.1 | 10.9 | 10.5 | 14.1 | 9.5  | 24 | —                                      | 11.5 | 13.8 | 9.5  | 25.4 | 29.4 |
| FH12-19S-0.5SH(1)(98) | CL528-0012-6-98 | 19                | 9  | 12.6 | 10.07 | 13.6 | 11.4 | 11   | 14.6 | 10   | 24 | —                                      | 11.5 | 14.3 | 10   | 25.4 | 29.4 |
| FH12-20S-0.5SH(1)(98) | CL528-0013-9-98 | 20                | 9.5  | 13.1 | 10.57 | 14.1 | 11.9 | 11.5 | 15.1 | 10.5 | 24 | —                                      | 11.5 | 14.8 | 10.5 | 25.4 | 29.4 |
| FH12-22S-0.5SH(1)(98) | CL528-0014-1-98 | 22                | 10.5   | 14.1 | 11.57 | 15.1 | 12.9 | 12.5 | 16.1 | 11.5 | 24 | —                                      | 11.5 | 15.8 | 11.5 | 25.4 | 29.4 |
| FH12-24S-0.5SH(1)(98) | CL528-0015-4-98 | 24                | 11.5   | 15.1 | 12.57 | 16.1 | 13.9 | 13.5 | 17.1 | 12.5 | 24 | —                                      | 11.5 | 16.8 | 12.5 | 25.4 | 29.4 |
| FH12-25S-0.5SH(1)(98) | CL528-0016-7-98 | 25                | 12   | 15.6 | 13.07 | 16.6 | 14.4 | 14   | 17.6 | 13   | 24 | —                                      | 11.5 | 17.3 | 13   | 25.4 | 29.4 |
| FH12-26S-0.5SH(1)(98) | CL528-0017-0-98 | 26                | 12.5   | 16.1 | 13.57 | 17.1 | 14.9 | 14.5 | 18.1 | 13.5 | 24 | —                                      | 11.5 | 17.8 | 13.5 | 25.4 | 29.4 |
| FH12-28S-0.5SH(1)(98) | CL528-0018-2-98 | 28                | 13.5   | 17.1 | 14.57 | 18.1 | 15.9 | 15.5 | 19.1 | 14.5 | 32 | 28.4                                   | 14.2 | 18.8 | 14.5 | 33.4 | 37.4 |
| FH12-30S-0.5SH(1)(98) | CL528-0019-5-98 | 30                | 14.5   | 18.1 | 15.57 | 19.1 | 16.9 | 16.5 | 20.1 | 15.5 | 32 | 28.4                                   | 14.2 | 19.8 | 15.5 | 33.4 | 37.4 |
| FH12-32S-0.5SH(1)(98) | CL528-0020-4-98 | 32                | 15.5   | 19.1 | 16.57 | 20.1 | 17.9 | 17.5 | 21.1 | 16.5 | 32 | 28.4                                   | 14.2 | 20.8 | 16.5 | 33.4 | 37.4 |
| FH12-33S-0.5SH(1)(98) | CL528-0021-7-98 | 33                | 16   | 19.6 | 17.07 | 20.6 | 18.4 | 18   | 21.6 | 17   | 32 | 28.4                                   | 14.2 | 21.3 | 17   | 33.4 | 37.4 |
| FH12-34S-0.5SH(1)(98) | CL528-0022-0-98 | 34                | 16.5   | 20.1 | 17.57 | 21.1 | 18.9 | 18.5 | 22.1 | 17.5 | 32 | 28.4                                   | 14.2 | 21.8 | 17.5 | 33.4 | 37.4 |
| FH12-35S-0.5SH(1)(98) | CL528-0023-2-98 | 35                | 17   | 20.6 | 18.07 | 21.6 | 19.4 | 19   | 22.6 | 18   | 44 | 40.4                                   | 20.2 | 22.3 | 18   | 45.4 | 49.4 |
| FH12-36S-0.5SH(1)(98) | CL528-0024-5-98 | 36                | 17.5   | 21.1 | 18.57 | 22.1 | 19.9 | 19.5 | 23.1 | 18.5 | 44 | 40.4                                   | 20.2 | 22.8 | 18.5 | 45.4 | 49.4 |
| FH12-40S-0.5SH(1)(98) | CL528-0025-8-98 | 40                | 19.5   | 23.1 | 20.57 | 24.1 | 21.9 | 21.5 | 25.1 | 20.5 | 44 | 40.4                                   | 20.2 | 24.8 | 20.5 | 45.4 | 49.4 |
| FH12-45S-0.5SH(1)(98) | CL528-0026-0-98 | 45                | 22   | 25.6 | 23.07 | 26.6 | 24.4 | 24   | 27.6 | 23   | 44 | 40.4                                   | 20.2 | 27.3 | 23   | 45.4 | 49.4 |
| FH12-50S-0.5SH(1)(98) | CL528-0027-3-98 | 50                | 24.5   | 28.1 | 25.57 | 29.1 | 26.9 | 26.5 | 30.1 | 25.5 | 44 | 40.4                                   | 20.2 | 29.8 | 25.5 | 45.4 | 49.4 |
| FH12-53S-0.5SH(1)(98) | CL528-0028-6-98 | 53                | 26   | 29.6 | 27.07 | 30.6 | 28.4 | 28   | 31.6 | 27   | 44 | 40.4                                   | 20.2 | 31.3 | 27   | 45.4 | 49.4 |

|            |             |                        |
|------------|-------------|------------------------|
| <b>HRS</b> | DRAWING NO. | EDC-347311-98-01       |
|            | PART NO.    | FH12-***S-0.5SH(1)(98) |
|            | CODE NO.    | CL528                  |
|            |             | 5/5                    |

## X-ON Electronics

Largest Supplier of Electrical and Electronic Components

*Click to view similar products for [FFC & FPC Connectors](#) category:*

*Click to view products by [Hirose](#) manufacturer:*

Other Similar products are found below :

[K-FC20](#) [FH29B-80S-0.2SHW\(99\)](#) [FPH-2022G](#) [AYF332735](#) [52610-1075](#) [52610-1275](#) [52610-1934](#) [501864-3091-TR225](#) [086222026001800](#)  
[52610-0675](#) [62684-36210E9ALF](#) [52746-1671-TR250](#) [10051922-2810EHLF](#) [6-520415-9](#) [SFV6R-1STE9HLF](#) [XF3M-2915-1B-R100](#)  
[1658549-1](#) [46214008010800](#) [AYF534065TA](#) [AYF351525](#) [086212040340800+](#) [AYF530365TA](#) [67000-014LF](#) [67000-004LF](#)  
[006207341915000+](#) [DS1020-19RT1D](#) [67000-003LF](#) [67000-011LF](#) [67000-016LF](#) [HFW14R-2STE9LF](#) [SFV32R-2STBE9HLF](#) [SFW12R-](#)  
[5STE9LF](#) [SFW18R-1STAE9LF](#) [SFW4R-5STE9LF](#) [52807-0430](#) [046283021002868+](#) [THD1015-8CL-SN](#) [67000-006LF](#) [502250-8027](#)  
[104267-9617](#) [66987-011LF](#) [AYF362535](#) [F0501-T-50-20T-R](#) [HFW8S-2STAE1HLF](#) [67000-008LF](#) [67000-012LF](#) [ECC576069EU](#) [F1002-B-](#)  
[20-20T-R](#) [HFW15S-2STAE1HLF](#) [0781271110](#)