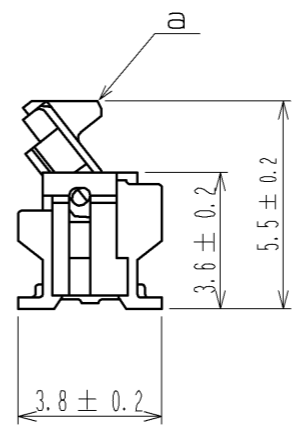
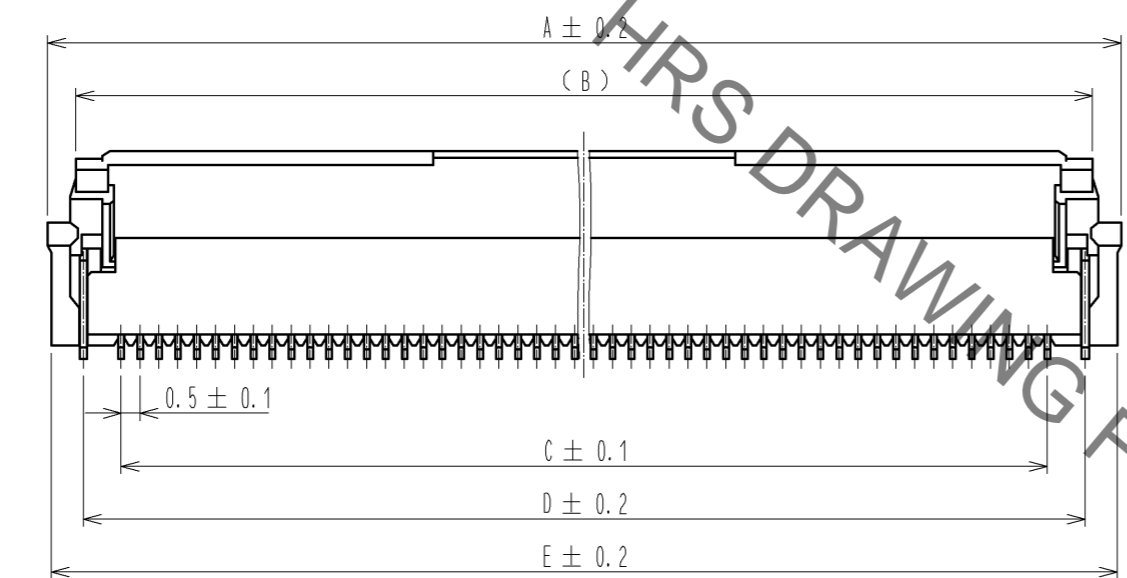
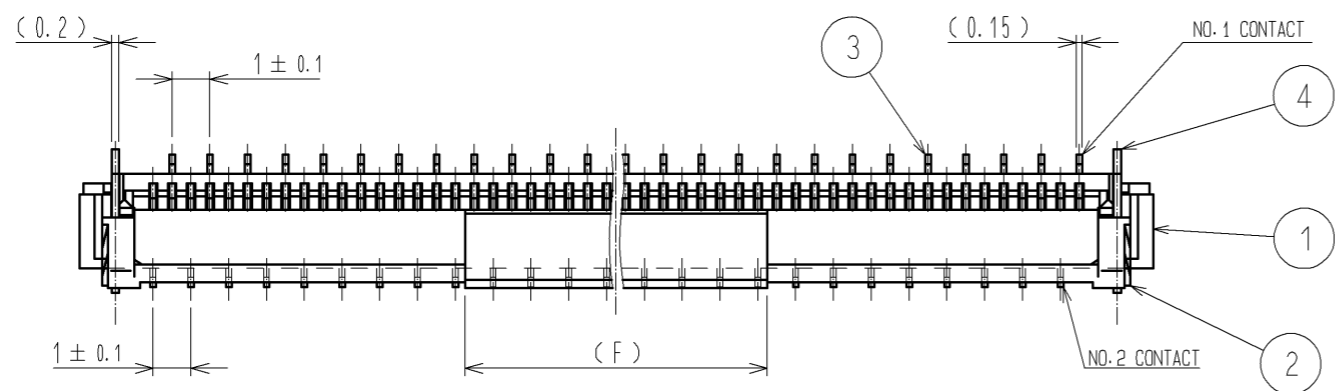


Aug.1.2021 Copyright 2021 HIROSE ELECTRIC CO., LTD. All Rights Reserved.
In case of consideration for using Automotive equipment / device which demand high reliability, kindly contact our sales window correspondents.



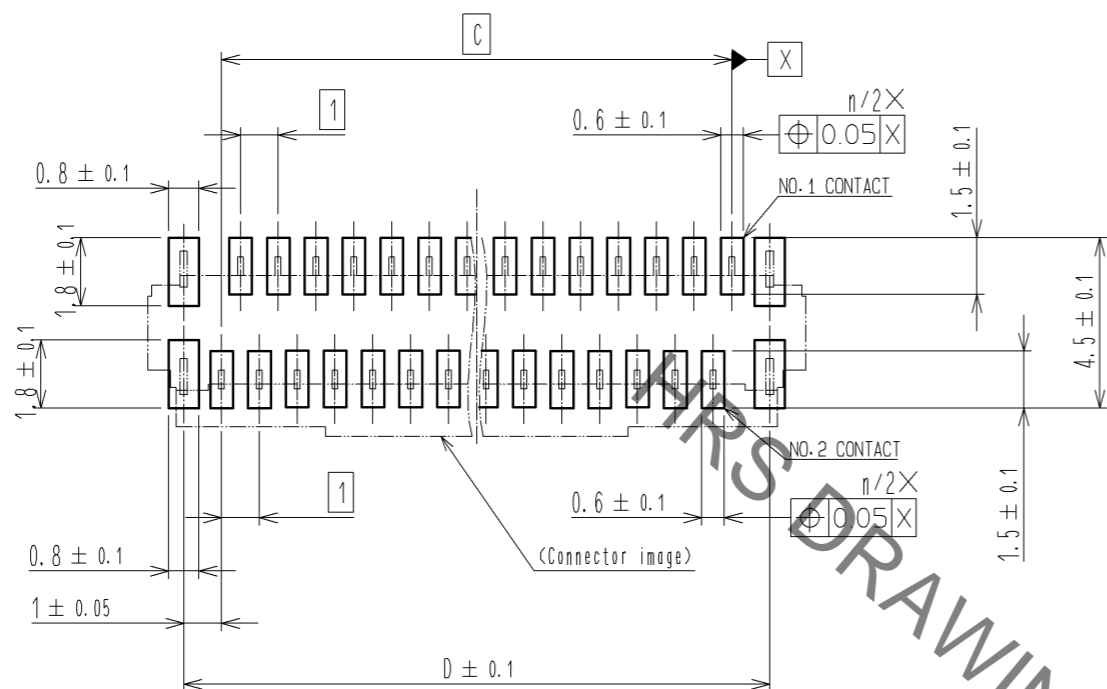
- NOTE 1 THE DIMENSIONS IN PARENTHESES ARE FOR REFERENCE.
 2 LEAD CO-PLANARITY SHALL BE 0.1 MAX.
 3 SEE DIMENSION TABLE IN THE APPENDIX.
 4 MATERIAL
- | NUMBER OF CONTACTS | MATERIAL |
|--------------------|-----------|
| 60 | LCP |
| OTHER | POLYAMIDE |
- 5 DIFFERENCES OF THE GOLD PLATED AREA DO NOT INFLUENCE ON THE PRODUCT PERFORMANCE.
 6 'n' REPRESENTS THE NUMBER OF CONTACTS.

4	BRASS	TIN PLATING 1μm MIN-OVER NICKEL 1μm MIN.					
3	PHOSPHOR BRONZE	(CONTACT AREA, LEAD) GOLD PLATING 0.05μmMIN OVER NICKEL 1μmMIN (OTHER) NICKEL PLATING 1μmMIN	8	(CONNECTOR)			
2	PPS	(DEEP BROWN) UL94V-0	6	POLYESTER			
1	4	(BEIGE) UL94V-0	5	POLYSTYRENE			
NO.	MATERIAL	FINISH . REMARKS	NO.	MATERIAL	FINISH . REMARKS		
UNITS mm		SCALE 5 : 1	COUNT △	DESCRIPTION OF REVISIONS	DESIGNED	CHECKED	DATE
HRS HIROSE ELECTRIC CO., LTD.		APPROVED : HS. SAKAMOTO	14.02.15	DRAWING NO.	EDC3-159266-03		
		CHECKED : HS. SAKAMOTO	14.02.15	PART NO.	FH12-**S-0.5SVA(54)		
		DESIGNED : RT. IKEDA	14.02.13	CODE NO.	CL586		
		DRAWN : NM. SANPEI	14.02.12		△ 1/5		

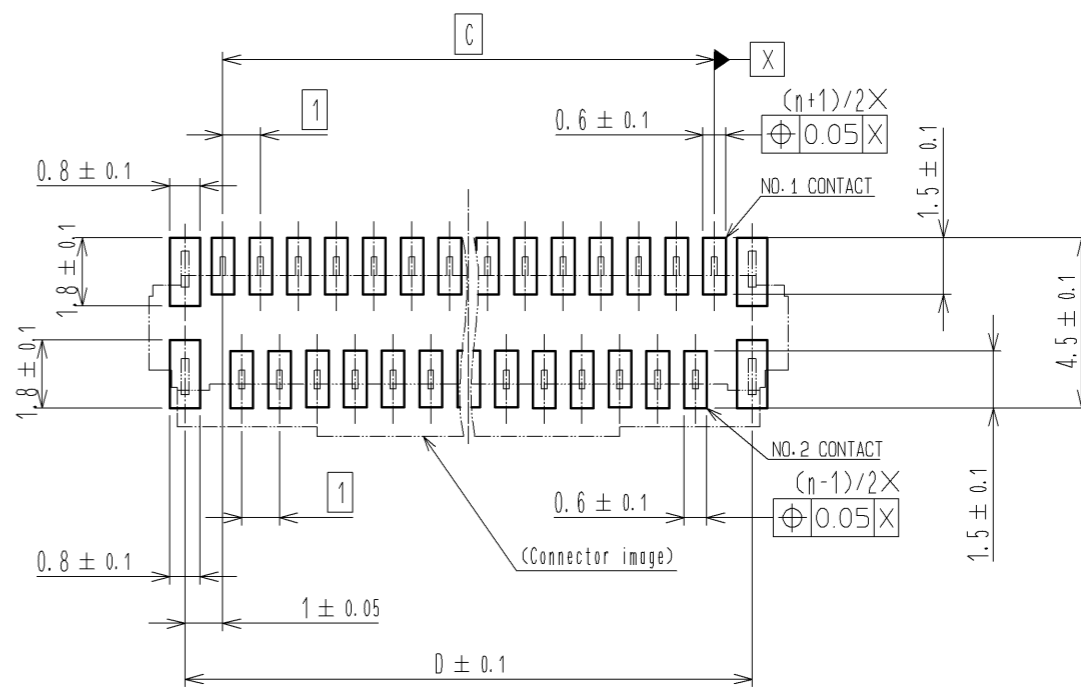
Aug.1.2021 Copyright 2021 HIROSE ELECTRIC CO., LTD. All Rights Reserved.
 In case of consideration for using Automotive equipment / device which demand high reliability, kindly contact our sales window correspondents.

RECOMMENDED PCB MOUNTING PATTERN

NUMBER OF CONTACTS: EVEN NUMBER

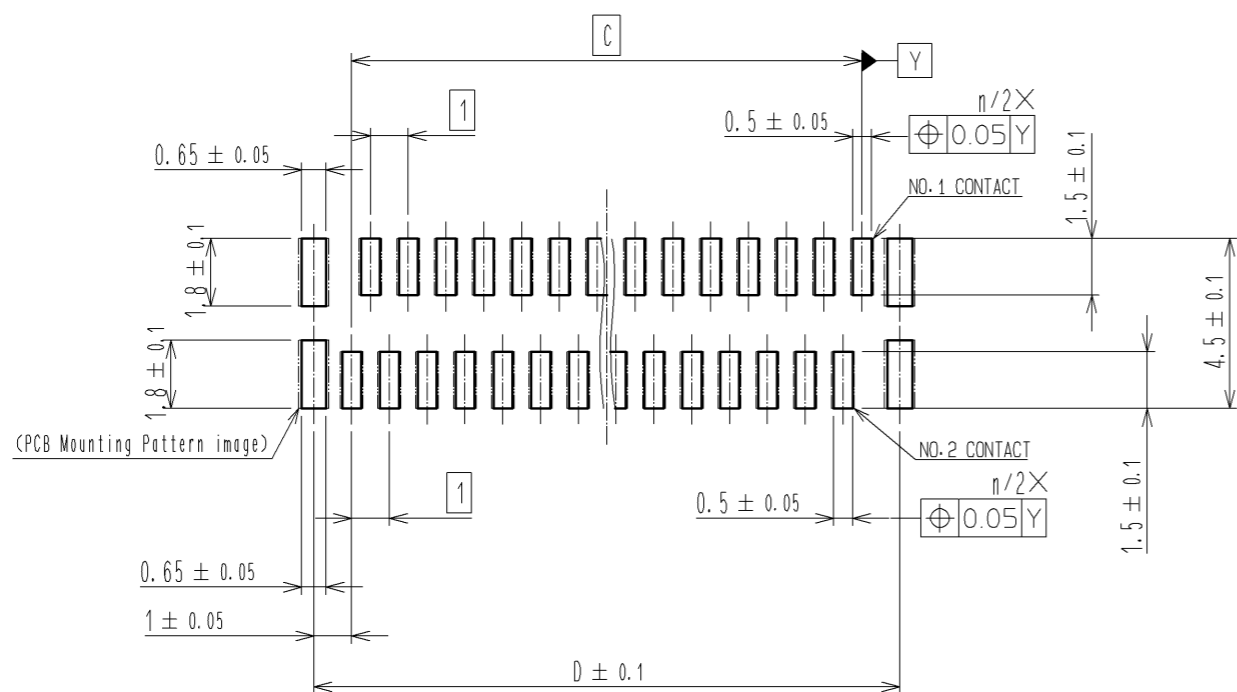


NUMBER OF CONTACTS: ODD NUMBER

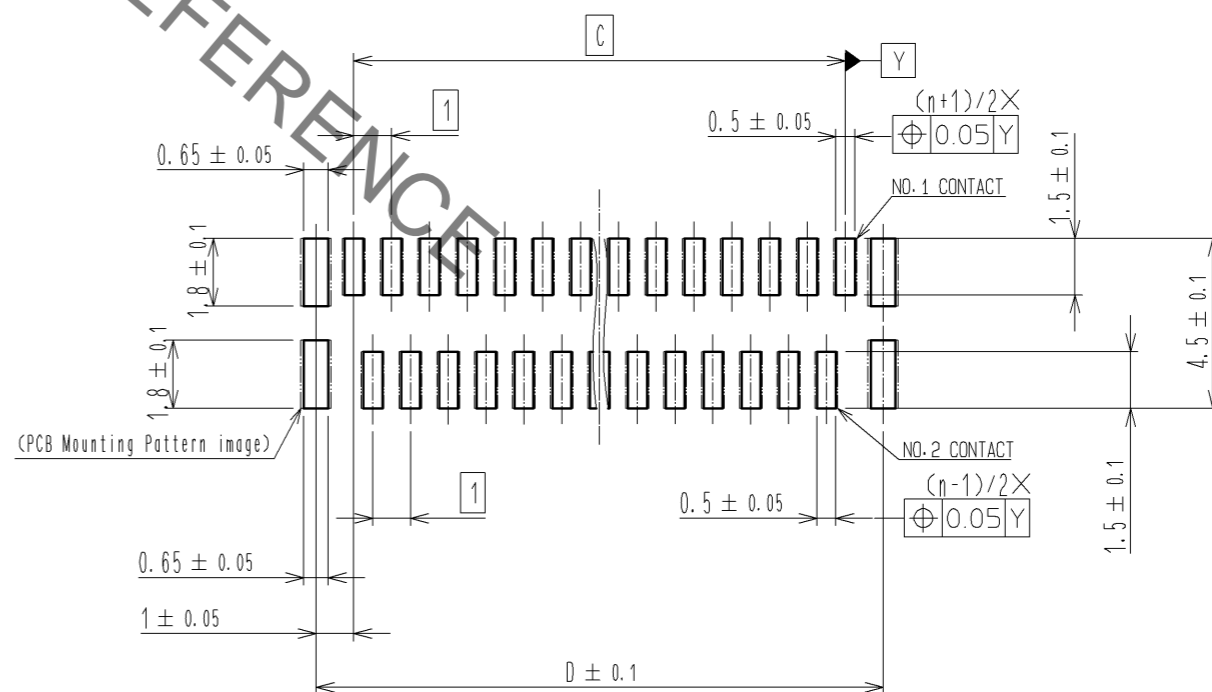


RECOMMENDED STENCIL PATTERN
 (RECOMMENDED STENCIL THICKNESS: t=0.15)

NUMBER OF CONTACTS: EVEN NUMBER



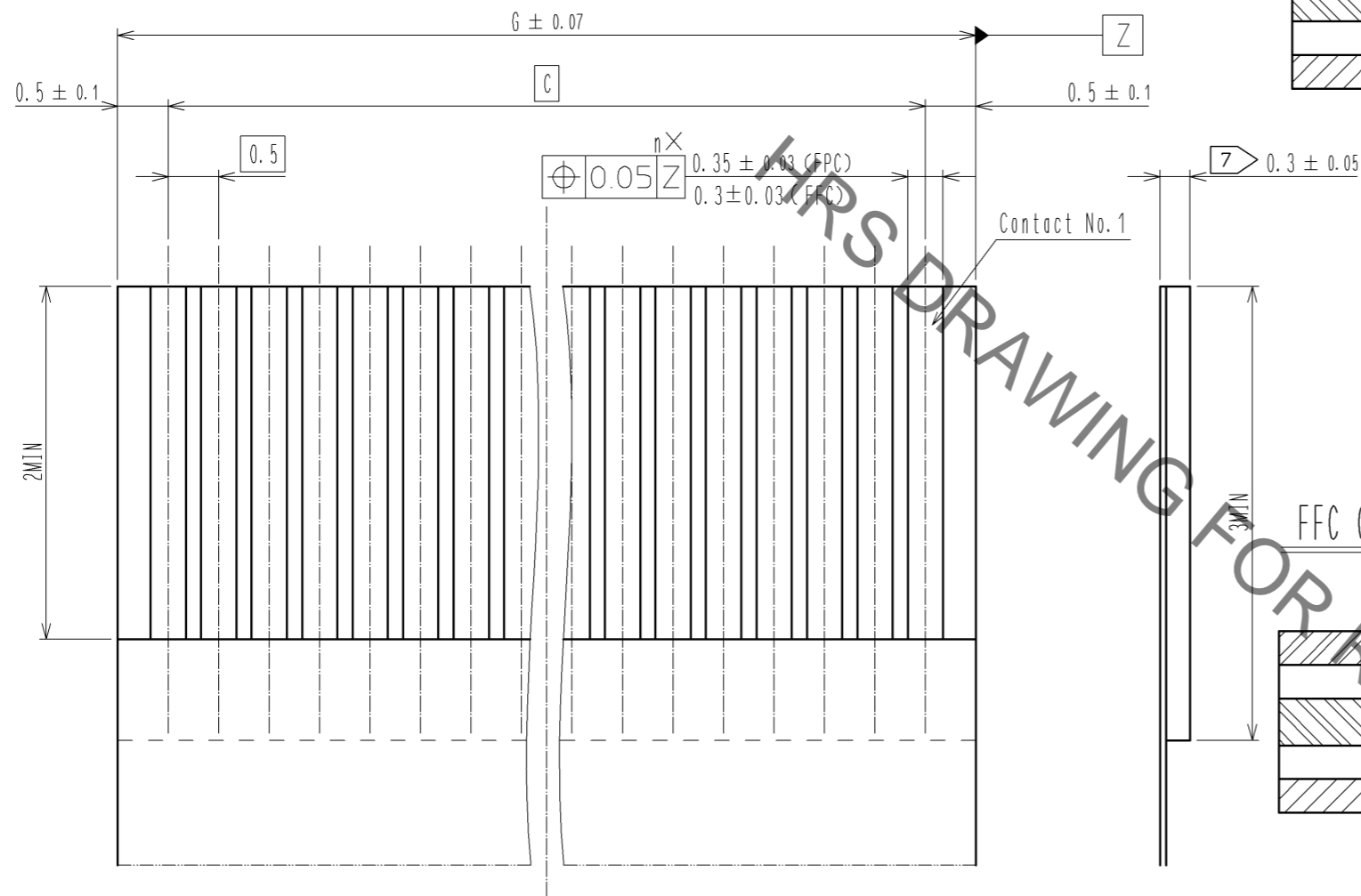
NUMBER OF CONTACTS: ODD NUMBER



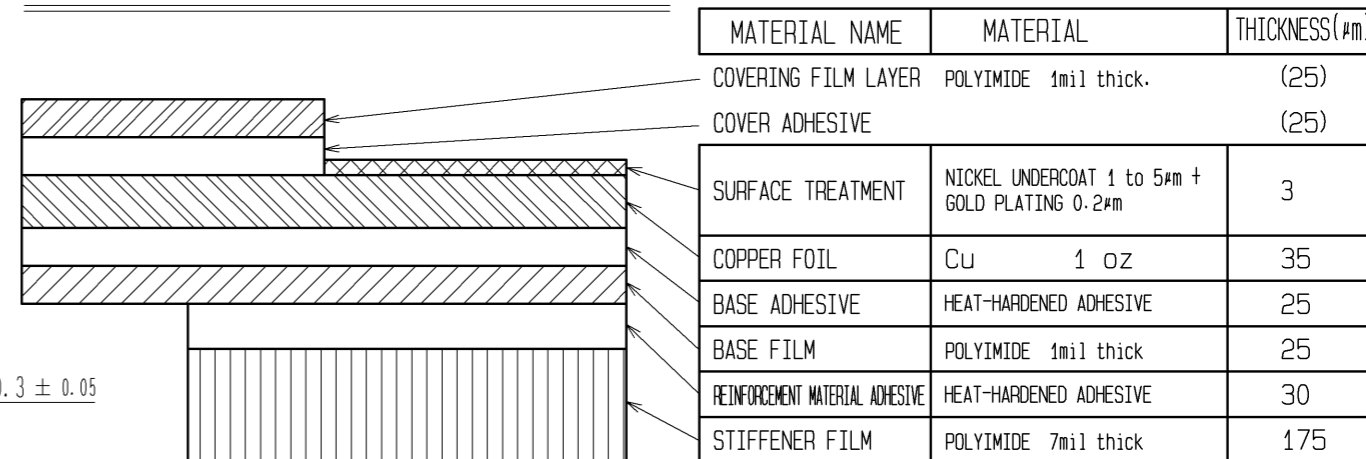
HRS	DRAWING NO.	EDC3-159266-03
	PART NO.	FH12-**S-0.5SVA(54)
	CODE NO.	CL586
		2/5

Aug.1.2021 Copyright 2021 HIROSE ELECTRIC CO., LTD. All Rights Reserved.
 In case of consideration for using Automotive equipment / device which demand high reliability, kindly contact our sales window correspondents.

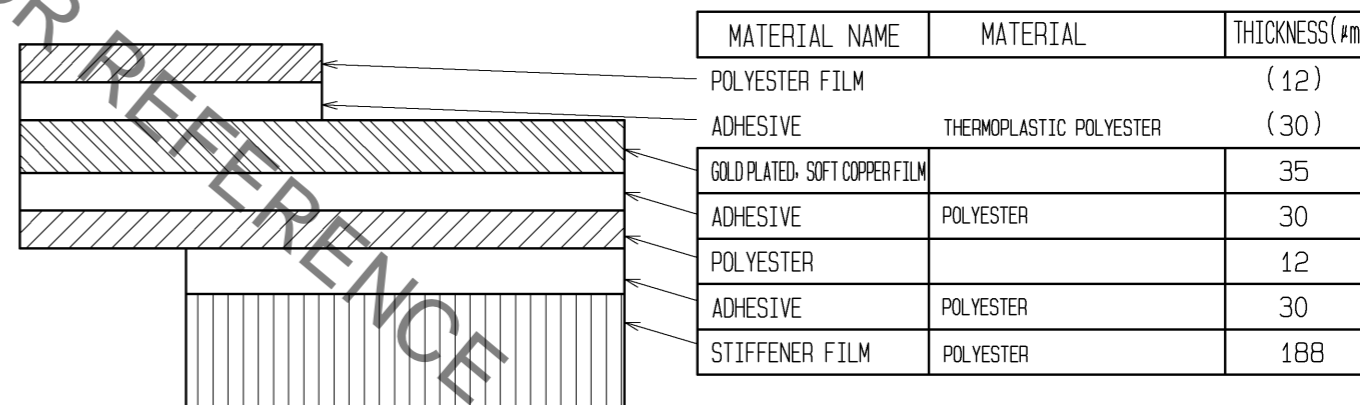
RECOMMENDED FPC/FFC (15:1)



FPC CONFIGURATION (REFERENCE EXAMPLE) (SCALE:FREE)



FFC CONFIGURATION (REFERENCE EXAMPLE) (SCALE:FREE)



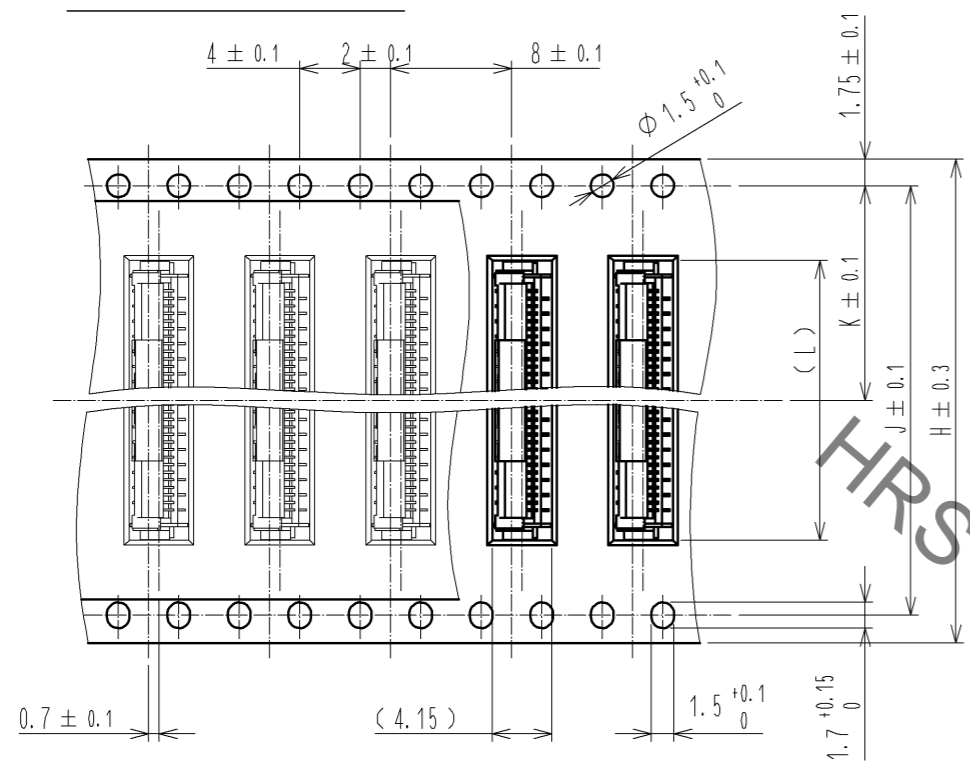
HRS	DRAWING NO.	EDC3-159266-03
	PART NO.	FH12-**S-0.5SVA(54)
	CODE NO.	CL586

3/5

Aug.1.2021 Copyright 2021 HIROSE ELECTRIC CO., LTD. All Rights Reserved.
 In case of consideration for using Automotive equipment / device which demand high reliability, kindly contact our sales window correspondents.

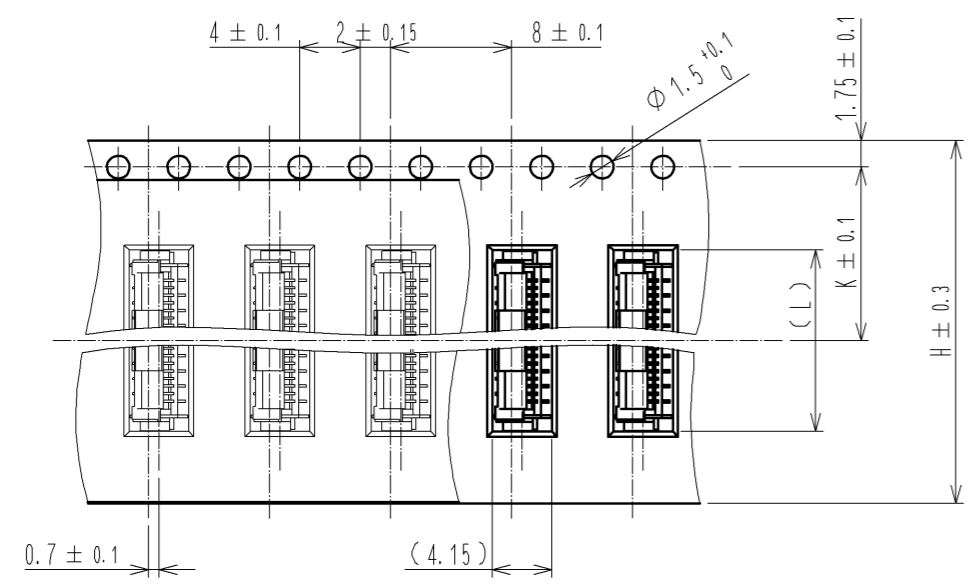
EMBOSSED CARRIER TAPE DIMENSION (2:1)

TAPE WIDTH : 32mm MIN

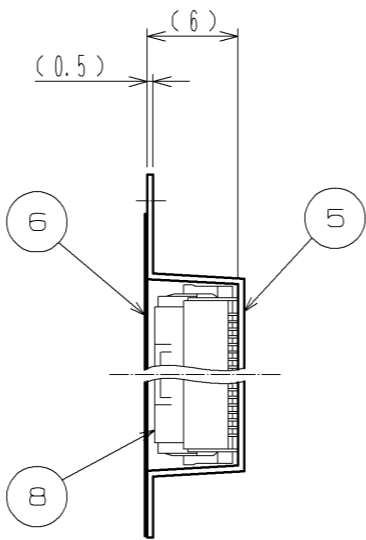
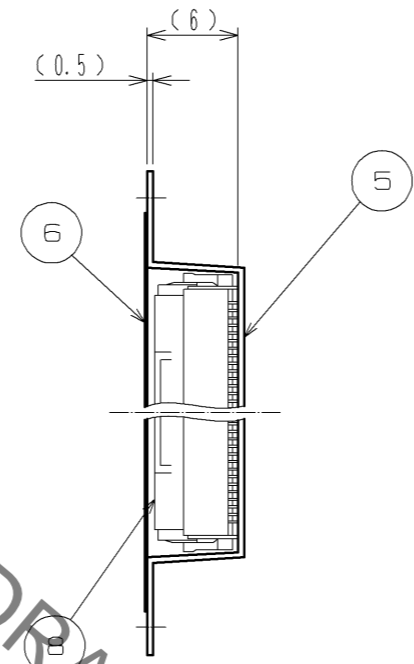


DIRECTION OF UNREELING

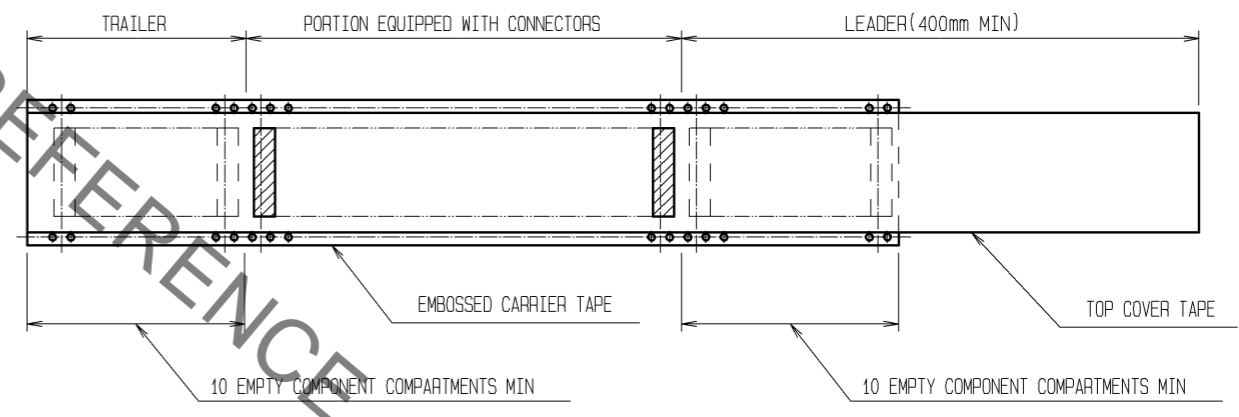
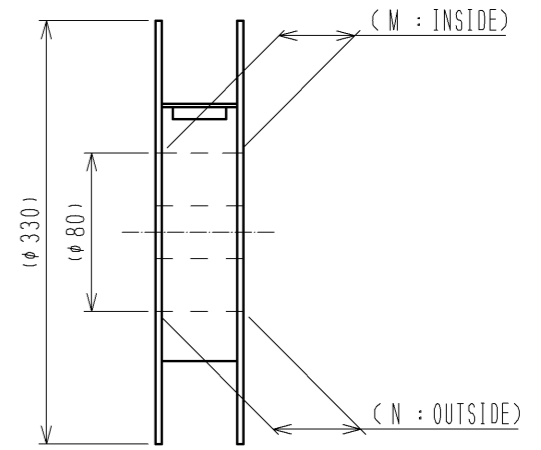
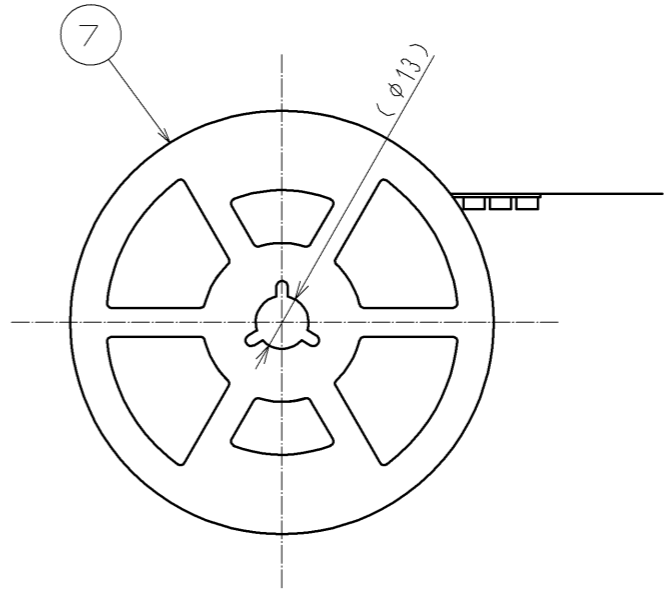
TAPE WIDTH : 24mm MAX



DIRECTION OF UNREELING



REEL DIMENSION(SHOW AS BELOW)(FREE)



NOTE 8 1REEL : 1000 CONNECTORS.

DRAWING FOR PACKING

HRS	DRAWING NO.	EDC3-159266-03
	PART NO.	FH12-**S-0.5SVA(54)
	CODE NO.	CL586
		△ 4/5

Aug.1.2021 Copyright 2021 HIROSE ELECTRIC CO., LTD. All Rights Reserved.
In case of consideration for using Automotive equipment / device which demand high reliability, kindly contact our sales window correspondents.

PART NO.	CODE NO.	NUMBER OF CONTACTS	DIMENSION TABLE OF CONNECTOR, FPC, FFC, PCB MOUNTING PATTERN AND STENCIL PATTERN							DIMENSION TABLE OF DRAWING FOR PACKING					
			A	B	C	D	E	F	G	H	J	K	L	M	N
FH12- 6S-0.5SVA(54)	CL586-0756-4-54	6	6.4	4.9	2.5	4.5	6.2	2	3.5	16	—	7.5	6.5	17.4	21.4
FH12-10S-0.5SVA(54)	CL586-0806-0-54	10	8.4	6.9	4.5	6.5	8.2	4	5.5	16	—	7.5	8.5	17.4	21.4
FH12-12S-0.5SVA(54)	CL586-0757-7-54	12	9.4	7.9	5.5	7.5	9.2	4	6.5	16	—	7.5	9.5	17.4	21.4
FH12-13S-0.5SVA(54)	CL586-0807-3-54	13	9.9	8.4	6	8	9.7	4	7	24	—	11.5	10	25.4	29.4
FH12-15S-0.5SVA(54)	CL586-0808-6-54	15	10.9	9.4	7	9	10.7	4	8	24	—	11.5	11	25.4	29.4
FH12-16S-0.5SVA(54)	CL586-0809-9-54	16	11.4	9.9	7.5	9.5	11.2	4	8.5	24	—	11.5	11.5	25.4	29.4
FH12-17S-0.5SVA(54)	CL586-0810-8-54	17	11.9	10.4	8	10	11.7	4	9	24	—	11.5	12	25.4	29.4
FH12-18S-0.5SVA(54)	CL586-0811-0-54	18	12.4	10.9	8.5	10.5	12.2	4	9.5	24	—	11.5	12.5	25.4	29.4
FH12-20S-0.5SVA(54)	CL586-0812-3-54	20	13.4	11.9	9.5	11.5	13.2	4	10.5	24	—	11.5	13.5	25.4	29.4
FH12-22S-0.5SVA(54)	CL586-0813-6-54	22	14.4	12.9	10.5	12.5	14.2	8	11.5	24	—	11.5	14.5	25.4	29.4
FH12-24S-0.5SVA(54)	CL586-0814-9-54	24	15.4	13.9	11.5	13.5	15.2	8	12.5	24	—	11.5	15.5	25.4	29.4
FH12-26S-0.5SVA(54)	CL586-0815-1-54	26	16.4	14.9	12.5	14.5	16.2	8	13.5	24	—	11.5	16.5	25.4	29.4
FH12-30S-0.5SVA(54)	CL586-0750-8-54	30	18.4	16.9	14.5	16.5	18.2	8	15.5	32	28.4	14.2	18.5	33.4	37.4
FH12-32S-0.5SVA(54)	CL586-0816-4-54	32	19.4	17.9	15.5	17.5	19.2	8	16.5	32	28.4	14.2	19.5	33.4	37.4
FH12-33S-0.5SVA(54)	CL586-0818-0-54	33	19.9	18.4	16	18	19.7	8	17	32	28.4	14.2	20	33.4	37.4
FH12-34S-0.5SVA(54)	CL586-0817-7-54	34	20.4	18.9	16.5	18.5	20.2	8	17.5	44	40.4	20.2	20.5	45.4	49.4
FH12-36S-0.5SVA(54)	CL586-0819-2-54	36	21.4	19.9	17.5	19.5	21.2	8	18.5	44	40.4	20.2	21.5	45.4	49.4
FH12-40S-0.5SVA(54)	CL586-0804-5-54	40	23.4	21.9	19.5	21.5	23.2	8	20.5	44	40.4	20.2	23.5	45.4	49.4
FH12-45S-0.5SVA(54)	CL586-0820-1-54	45	25.9	24.4	22	24	25.7	8	23	44	40.4	20.2	26	45.4	49.4
FH12-49S-0.5SVA(54)	CL586-0821-4-54	49	27.9	26.4	24	26	27.7	8	25	44	40.4	20.2	28	45.4	49.4
FH12-50S-0.5SVA(54)	CL586-0805-8-54	50	28.4	26.9	24.5	26.5	28.2	8	25.5	44	40.4	20.2	28.5	45.4	49.4
FH12-60S-0.5SVA(54)	CL586-0749-9-54	60	33.4	31.9	29.5	31.5	33.2	8	30.5	56	52.4	26.2	33.5	57.4	61.4

HRS	DRAWING NO.	EDC3-159266-03
	PART NO.	FH12-**S-0.5SVA(54)
	CODE NO.	CL586
		△ 5/5

X-ON Electronics

Largest Supplier of Electrical and Electronic Components

Click to view similar products for [FFC & FPC Connectors](#) category:

Click to view products by [Hirose](#) manufacturer:

Other Similar products are found below :

[K-FC20](#) [FH29B-80S-0.2SHW\(99\)](#) [FPH-2022G](#) [AYF332735](#) [52610-1075](#) [52610-1275](#) [52610-1934](#) [501864-3091-TR225](#) [086222026001800](#)
[52610-0675](#) [62684-36210E9ALF](#) [52746-1671-TR250](#) [10051922-2810EHLF](#) [6-520415-9](#) [SFV6R-1STE9HLF](#) [XF3M-2915-1B-R100](#)
[1658549-1](#) [46214008010800](#) [AYF534065TA](#) [AYF351525](#) [086212040340800+](#) [AYF530365TA](#) [67000-014LF](#) [67000-004LF](#)
[006207341915000+](#) [DS1020-19RT1D](#) [67000-003LF](#) [67000-011LF](#) [67000-016LF](#) [HFW14R-2STE9LF](#) [SFV32R-2STBE9HLF](#) [SFW12R-](#)
[5STE9LF](#) [SFW18R-1STAE9LF](#) [SFW4R-5STE9LF](#) [52807-0430](#) [046283021002868+](#) [THD1015-8CL-SN](#) [67000-006LF](#) [502250-8027](#)
[104267-9617](#) [66987-011LF](#) [AYF362535](#) [F0501-T-50-20T-R](#) [HFW8S-2STAE1HLF](#) [67000-008LF](#) [67000-012LF](#) [ECC576069EU](#) [F1002-B-](#)
[20-20T-R](#) [HFW15S-2STAE1HLF](#) [0781271110](#)