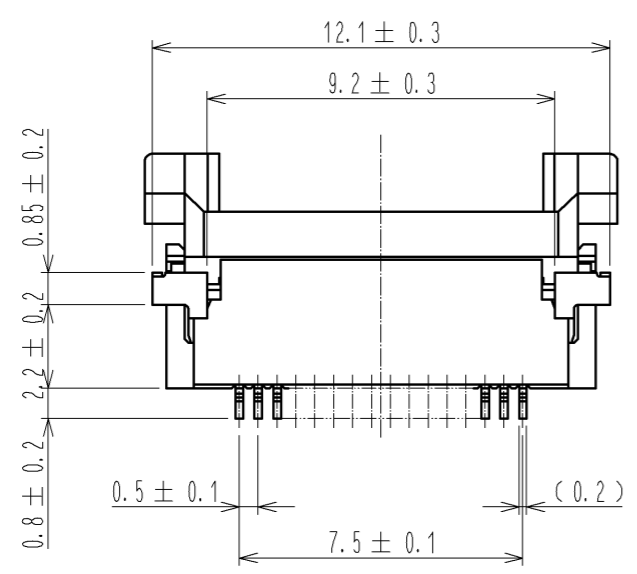
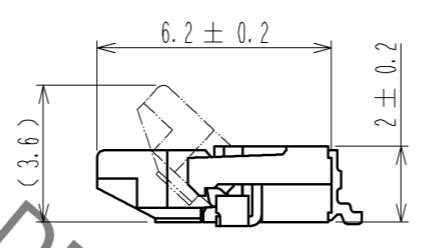
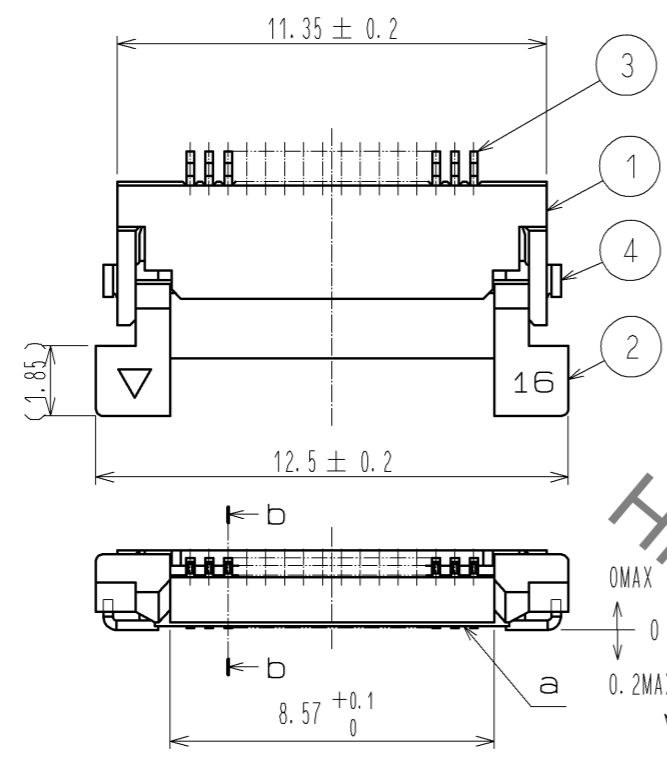
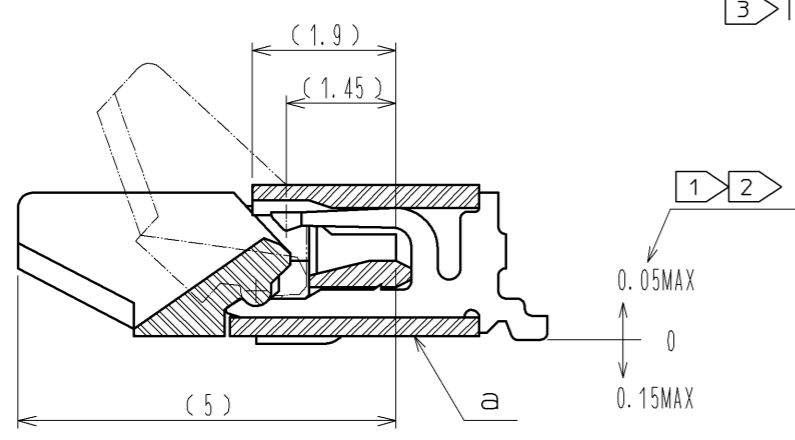


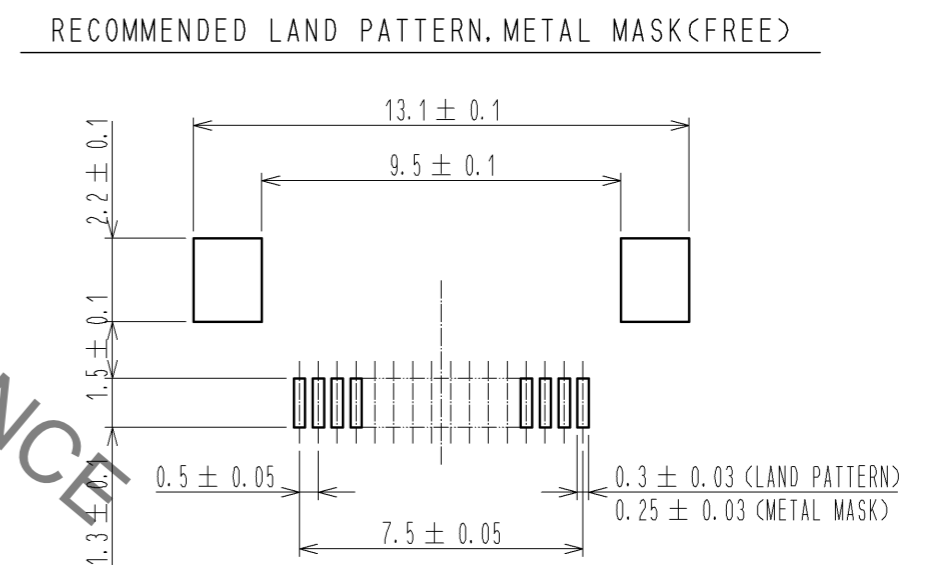
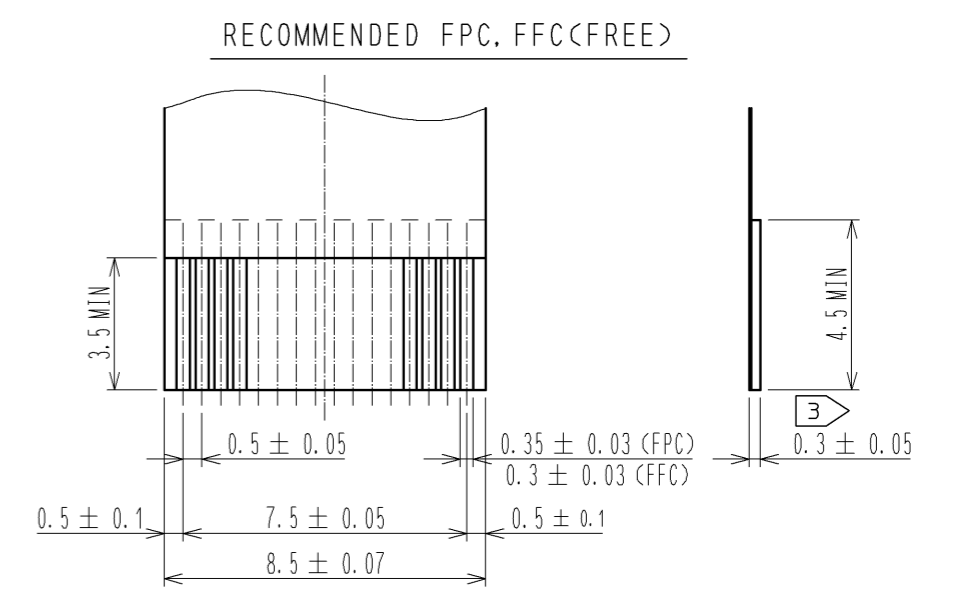
Jan.1.2022 Copyright 2022 HIROSE ELECTRIC CO., LTD. All Rights Reserved.  
In case of consideration for using Automotive equipment / device which demand high reliability, kindly contact our sales window correspondents.



b-b (10 : 1)



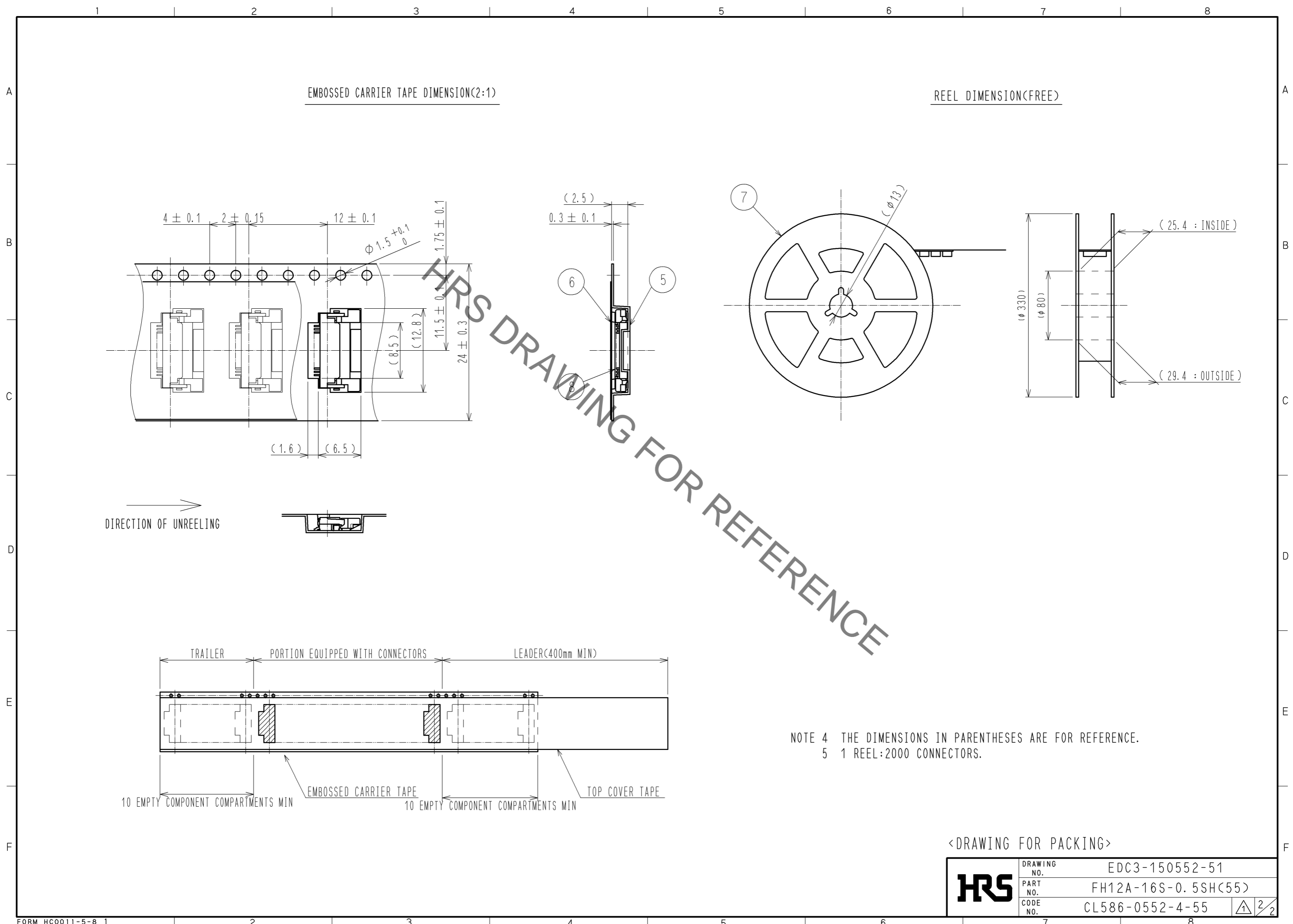
- NOTE
- ① REFERENCE IS a.
  - ② LEAD CO-PLANARITY SHALL BE 0.1 MAX.
  - ③ THICKNESS OF SUPPORTING TAPE SHALL BE 0.188(7.5mil) MIN.



RECOMMENDED METAL MASK THICKNESS t=0.15

4	BRASS	TIN PLATING 1μMIN OVER NICKEL 1μMIN.	8	(CONNECTOR)	
3	PHOSPHOR BRONZE	GOLD PLATING 0.05μMIN OVER NICKEL 1μMIN.	7	POLYSTYRENE	
2	PPS	DEEP BROWN UL94V-0	6	POLYESTER	
1	POLYAMIDE	BEIGE UL94V-0	5	POLYSTYRENE	
NO.	MATERIAL	FINISH . REMARKS	NO.	MATERIAL	FINISH . REMARKS
UNITS	mm	SCALE	5 : 1	COUNT	1
APPROVED : RI. TAKAYASU			08.09.02		
CHECKED : HS. SAKAMOTO			08.09.01		
DESIGNED : MK. YASUMI			08.08.26		
DRAWN : MK. YASUMI			08.08.26		
DESCRIPTION OF REVISIONS				DESIGNED	CHECKED
DIS-F-003410				MK. YASUMI	FN. TAMURA
				DATE	09.12.11
DRAWING NO.				EDC3-150552-51	
PART NO.				FH12A-16S-0.5SH(55)	
CODE NO.				CL586-0552-4-55	

Jan.1.2022 Copyright 2022 HIROSE ELECTRIC CO., LTD. All Rights Reserved.  
 In case of consideration for using Automotive equipment / device which demand high reliability, kindly contact our sales window correspondents.



→  
DIRECTION OF UNREELING

NOTE 4 THE DIMENSIONS IN PARENTHESES ARE FOR REFERENCE.  
 5 1 REEL:2000 CONNECTORS.

<DRAWING FOR PACKING>

<b>HRS</b>	DRAWING NO.	EDC3-150552-51
	PART NO.	FH12A-16S-0.5SH(55)
	CODE NO.	CL586-0552-4-55
		△ 2/2

## X-ON Electronics

Largest Supplier of Electrical and Electronic Components

*Click to view similar products for [FFC & FPC Connectors](#) category:*

*Click to view products by [Hirose](#) manufacturer:*

Other Similar products are found below :

[K-FC20](#) [FH29B-80S-0.2SHW\(99\)](#) [FPH-2022G](#) [AYF332735](#) [52610-1075](#) [52610-1275](#) [52610-1934](#) [501864-3091-TR225](#) [086222026001800](#)  
[52610-0675](#) [62684-36210E9ALF](#) [52746-1671-TR250](#) [10051922-2810EHLF](#) [6-520415-9](#) [SFV6R-1STE9HLF](#) [XF3M-2915-1B-R100](#)  
[1658549-1](#) [46214008010800](#) [AYF534065TA](#) [AYF351525](#) [086212040340800+](#) [AYF530365TA](#) [67000-014LF](#) [67000-004LF](#)  
[006207341915000+](#) [DS1020-19RT1D](#) [67000-003LF](#) [67000-011LF](#) [67000-016LF](#) [HFW14R-2STE9LF](#) [SFV32R-2STBE9HLF](#) [SFW12R-](#)  
[5STE9LF](#) [SFW18R-1STAE9LF](#) [SFW4R-5STE9LF](#) [52807-0430](#) [046283021002868+](#) [THD1015-8CL-SN](#) [67000-006LF](#) [502250-8027](#)  
[104267-9617](#) [66987-011LF](#) [AYF362535](#) [F0501-T-50-20T-R](#) [HFW8S-2STAE1HLF](#) [67000-008LF](#) [67000-012LF](#) [ECC576069EU](#) [F1002-B-](#)  
[20-20T-R](#) [HFW15S-2STAE1HLF](#) [0781271110](#)