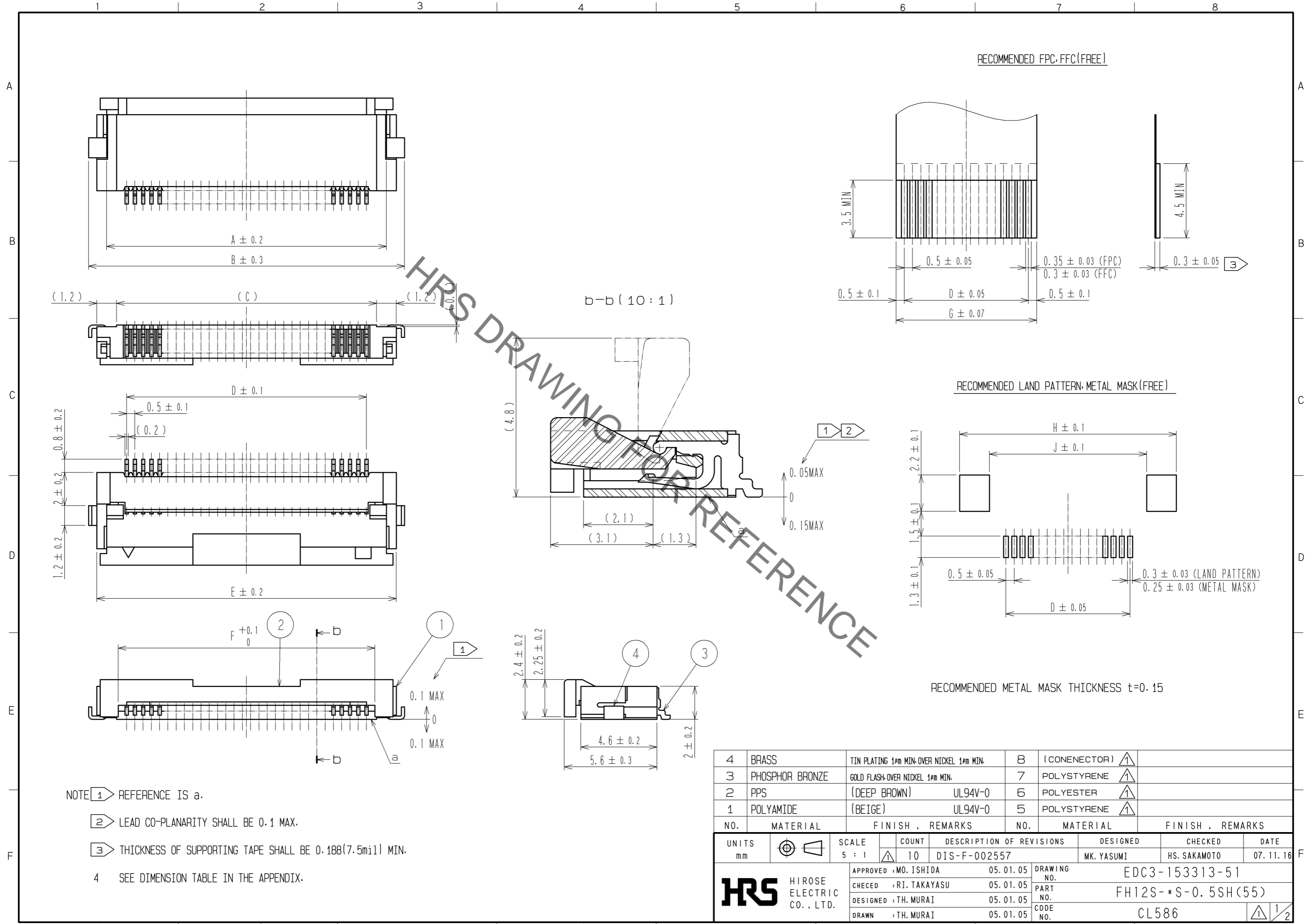


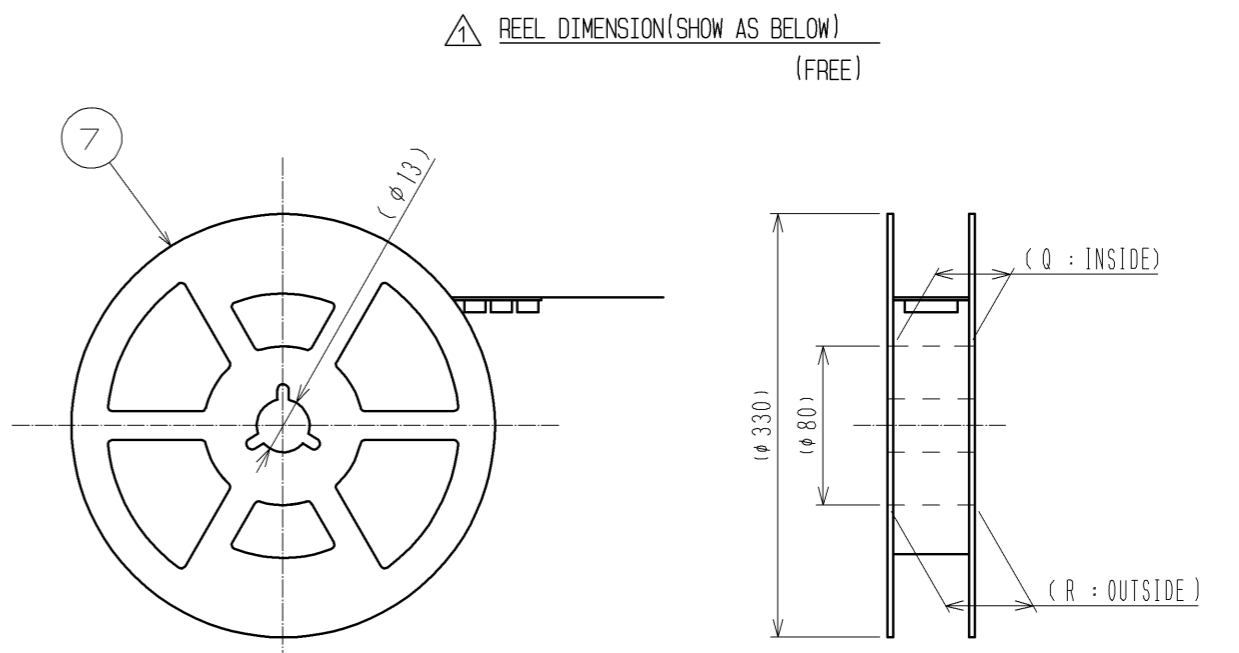
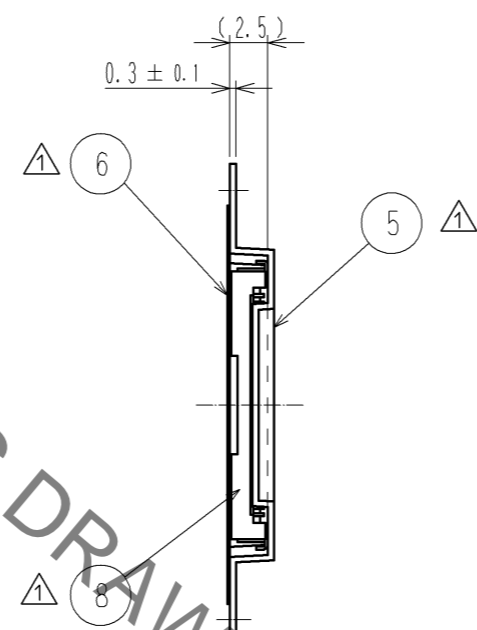
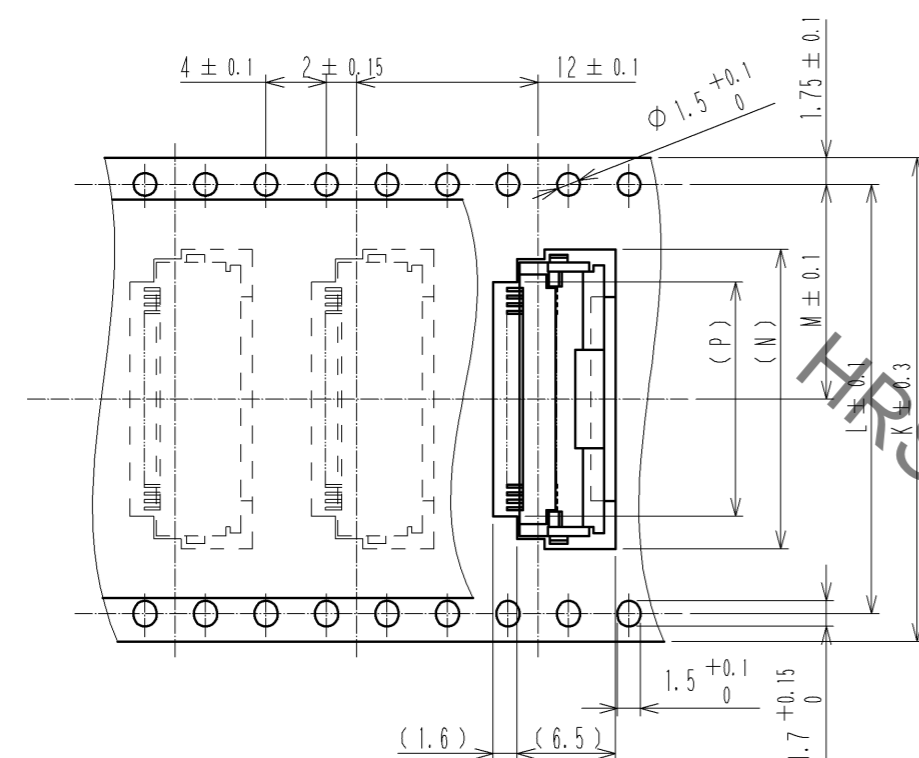
Dec.1.2021 Copyright 2021 HIROSE ELECTRIC CO., LTD. All Rights Reserved.  
 In case of consideration for using Automotive equipment / device which demand high reliability, kindly contact our sales window correspondents.



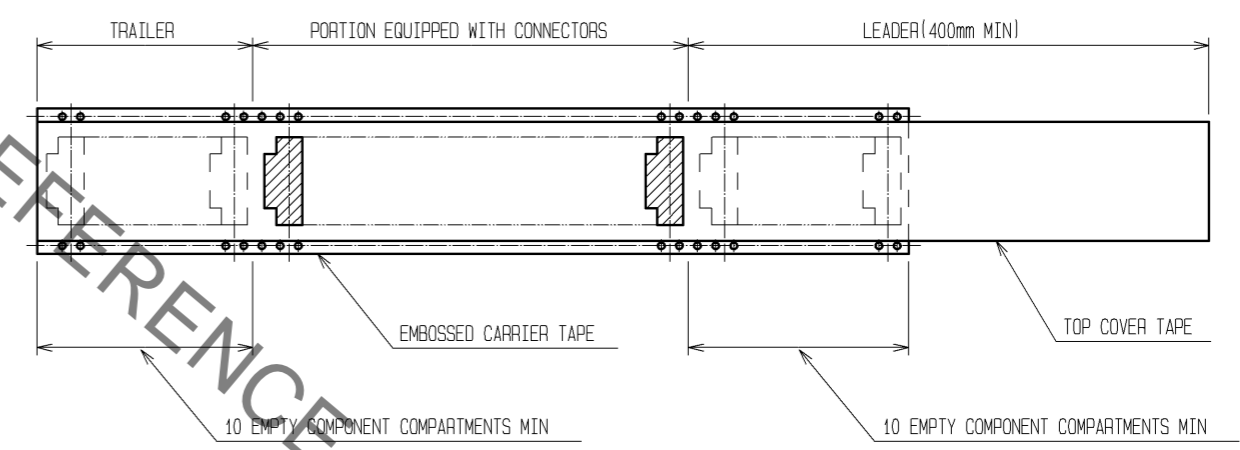
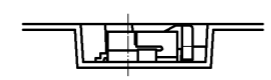
| 4                                | BRASS           | TIN PLATING 1μm MIN-OVER NICKEL 1μm MIN. | 8                            | (CONNECTOR)  | △                |
|----------------------------------|-----------------|------------------------------------------|------------------------------|--------------|------------------|
| 3                                | PHOSPHOR BRONZE | GOLD FLASH-OVER NICKEL 1μm MIN.          | 7                            | POLYSTYRENE  | △                |
| 2                                | PPS             | (DEEP BROWN) UL94V-0                     | 6                            | POLYESTER    | △                |
| 1                                | POLYAMIDE       | (BEIGE) UL94V-0                          | 5                            | POLYSTYRENE  | △                |
| NO.                              | MATERIAL        | FINISH . REMARKS                         | NO.                          | MATERIAL     | FINISH . REMARKS |
| UNITS                            | mm              | SCALE                                    | 5 : 1                        | COUNT        | △ 10             |
| DESCRIPTION OF REVISIONS         |                 |                                          | DESIGNED                     | CHKD         | DATE             |
| DIS-F-002557                     |                 |                                          | MK. YASUMI                   | HS. SAKAMOTO | 07. 11. 16       |
| APPROVED : MO. ISHIDA 05. 01. 05 |                 |                                          | DRAWING NO. EDC3-153313-51   |              |                  |
| CHECED : RI. TAKAYASU 05. 01. 05 |                 |                                          | PART NO. FH12S-*S-0. 5SH(55) |              |                  |
| DESIGNED : TH. MURAI 05. 01. 05  |                 |                                          | CODE NO. CL586               |              |                  |
| DRAWN : TH. MURAI 05. 01. 05     |                 |                                          | 1/2                          |              |                  |

Dec.1.2021 Copyright 2021 HIROSE ELECTRIC CO., LTD. All Rights Reserved.  
In case of consideration for using Automotive equipment / device which demand high reliability, kindly contact our sales window correspondents.

EMBOSSED CARRIER TAPE DIMENSION(2:1)



DIRECTION OF UNREELING



DIMENSION TABLE OF CONNECTOR, FPC, FFC, LAND PATTERN AND METAL MASK

| PART NO.            | CODE NO.        | *  | A    | B    | C    | D    | E    | F     | G    | H    | J    |
|---------------------|-----------------|----|------|------|------|------|------|-------|------|------|------|
| FH12S-30S-0.5SH(55) | CL586-0667-6-55 | 30 | 16.9 | 19.1 | 15.7 | 14.5 | 18.1 | 15.57 | 15.5 | 20.1 | 16.5 |
| FH12S-40S-0.5SH(55) | CL586-0640-0-55 | 40 | 21.9 | 24.1 | 20.7 | 19.5 | 23.1 | 20.57 | 20.5 | 25.1 | 21.5 |
| FH12S-45S-0.5SH(55) | CL586-0665-0-55 | 45 | 24.4 | 26.6 | 23.2 | 22   | 25.6 | 23.07 | 23   | 27.6 | 24   |
| FH12S-50S-0.5SH(55) | CL586-0642-5-55 | 50 | 26.9 | 29.1 | 25.7 | 24.5 | 28.1 | 25.57 | 25.5 | 30.1 | 26.5 |
| FH12S-53S-0.5SH(55) | CL586-0691-0-55 | 53 | 28.4 | 30.6 | 27.2 | 26   | 29.6 | 27.07 | 27   | 31.6 | 28   |

DIMENSION TABLE OF DRAWING FOR PACKING

| PART NO.            | CODE NO.        | *  | K  | L    | M    | N    | P    | Q    | R    |
|---------------------|-----------------|----|----|------|------|------|------|------|------|
| FH12S-30S-0.5SH(55) | CL586-0667-6-55 | 30 | 32 | 28.4 | 14.2 | 19.8 | 15.5 | 33.4 | 37.4 |
| FH12S-40S-0.5SH(55) | CL586-0640-0-55 | 40 | 44 | 40.4 | 20.2 | 24.8 | 20.5 | 45.4 | 49.4 |
| FH12S-45S-0.5SH(55) | CL586-0665-0-55 | 45 | 44 | 40.4 | 20.2 | 27.3 | 23   | 45.4 | 49.4 |
| FH12S-50S-0.5SH(55) | CL586-0642-5-55 | 50 | 44 | 40.4 | 20.2 | 29.8 | 25.5 | 45.4 | 49.4 |
| FH12S-53S-0.5SH(55) | CL586-0691-0-55 | 53 | 44 | 40.4 | 20.2 | 31.3 | 27   | 45.4 | 49.4 |

\* : NUMBER OF CONTACTS

- NOTE 5 THE DIMENSION IN PARENTHESES ARE FOR REFERENCE.
- 6 1 REEL : 2000 CONNECTORS.
- 7 SEE DIMENSION TABLE.

DRAWING FOR PACKING

|            |             |                    |
|------------|-------------|--------------------|
| <b>HRS</b> | DRAWING NO. | EDC3-153313-51     |
|            | PART NO.    | FH12S-*S-0.5SH(55) |
|            | CODE NO.    | CL586              |
|            |             | 2/2                |

## X-ON Electronics

Largest Supplier of Electrical and Electronic Components

*Click to view similar products for [FFC & FPC Connectors](#) category:*

*Click to view products by [Hirose](#) manufacturer:*

Other Similar products are found below :

[K-FC20](#) [FH29B-80S-0.2SHW\(99\)](#) [FPH-2022G](#) [AYF332735](#) [52610-1075](#) [52610-1275](#) [52610-1934](#) [501864-3091-TR225](#) [086222026001800](#)  
[52610-0675](#) [62684-36210E9ALF](#) [52746-1671-TR250](#) [10051922-2810EHLF](#) [6-520415-9](#) [SFV6R-1STE9HLF](#) [XF3M-2915-1B-R100](#)  
[1658549-1](#) [46214008010800](#) [AYF534065TA](#) [AYF351525](#) [086212040340800+](#) [AYF530365TA](#) [67000-014LF](#) [67000-004LF](#)  
[006207341915000+](#) [DS1020-19RT1D](#) [67000-003LF](#) [67000-011LF](#) [67000-016LF](#) [HFW14R-2STE9LF](#) [SFV32R-2STBE9HLF](#) [SFW12R-](#)  
[5STE9LF](#) [SFW18R-1STAE9LF](#) [SFW4R-5STE9LF](#) [52807-0430](#) [046283021002868+](#) [THD1015-8CL-SN](#) [67000-006LF](#) [502250-8027](#)  
[104267-9617](#) [66987-011LF](#) [AYF362535](#) [F0501-T-50-20T-R](#) [HFW8S-2STAE1HLF](#) [67000-008LF](#) [67000-012LF](#) [ECC576069EU](#) [F1002-B-](#)  
[20-20T-R](#) [HFW15S-2STAE1HLF](#) [0781271110](#)