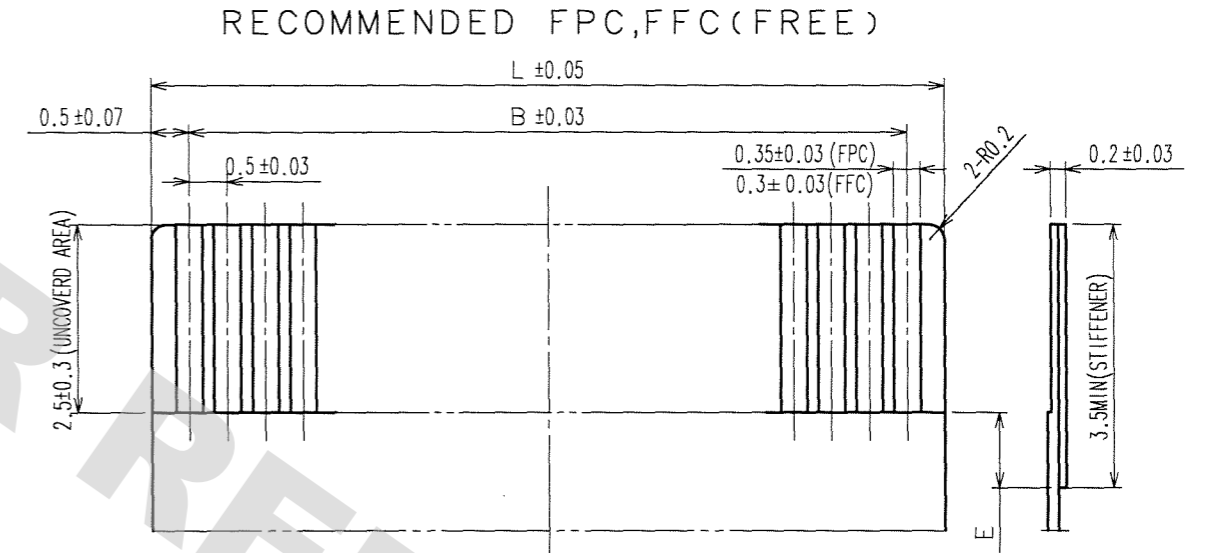
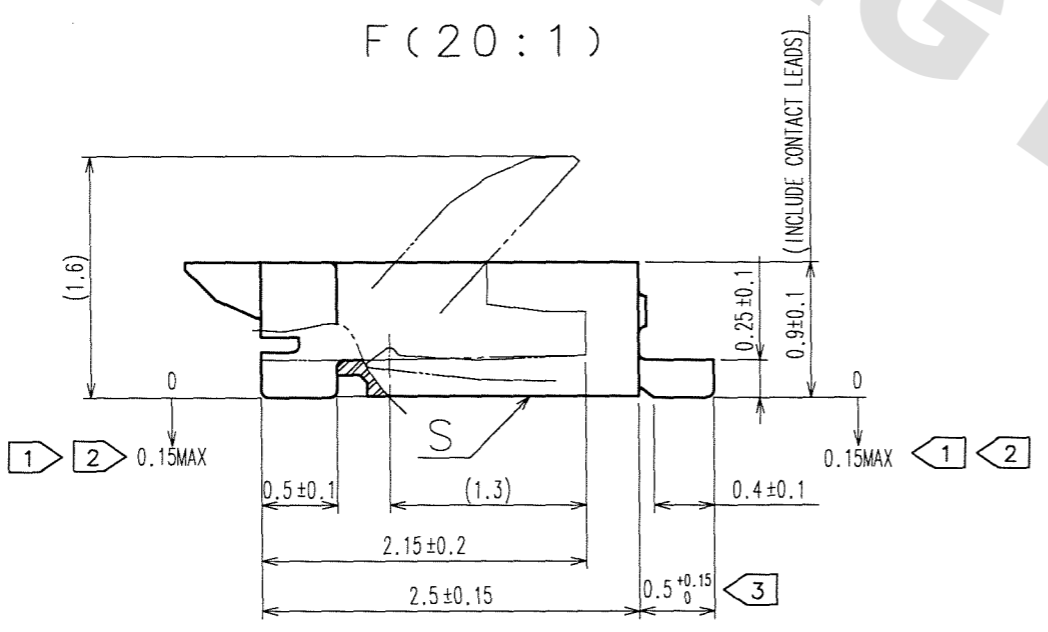
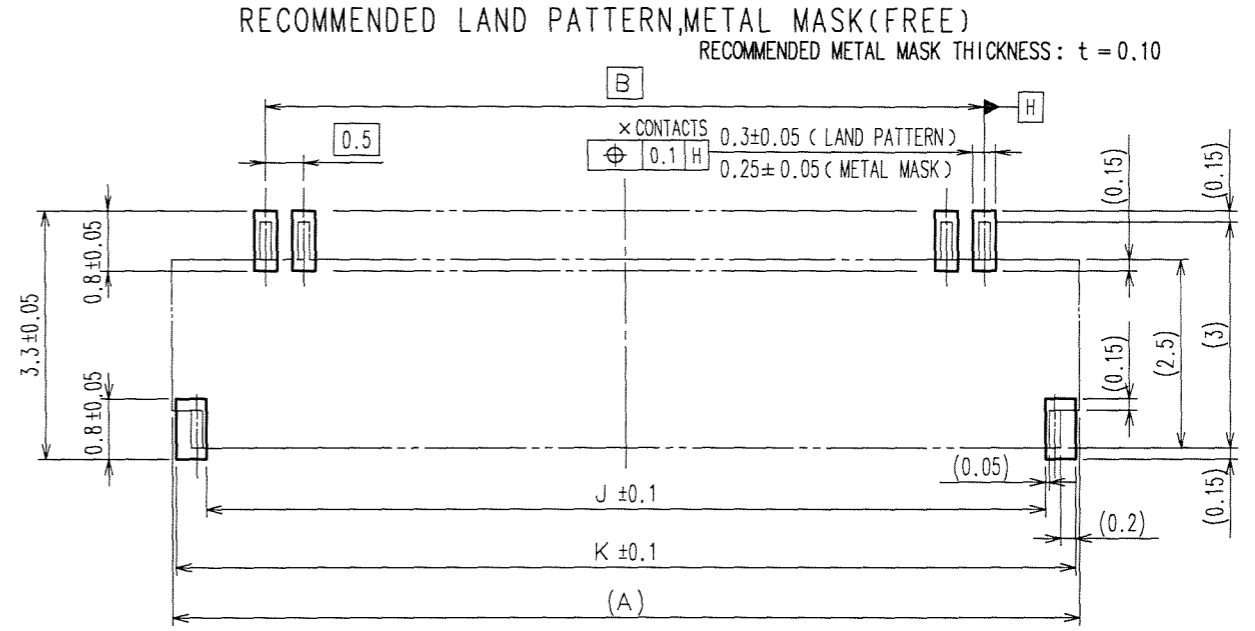
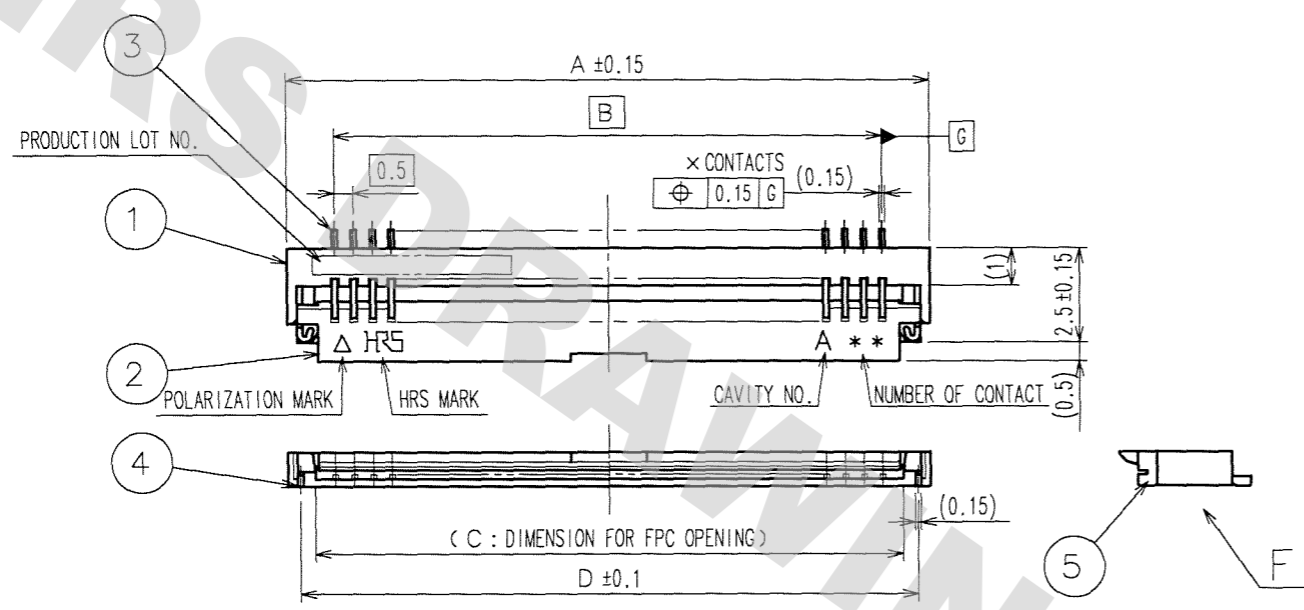


COUNT	DESCRIPTION OF REVISIONS	BY	CHKD	DATE	COUNT	DESCRIPTION OF REVISIONS	BY	CHKD	DATE
3	DIS-F-000605	K.F	H.K	05.11.21					
10	DIS-F-001266	K.F	T.M	06.07.20					



FOR FPC APPLICATION, STIFFENER MATERIAL IS POLYIMID, HEAT CURED ADHESIVE.  
 FOR FFC APPLICATION, PAY ATTENTION TO THE TOLERANCE OF FPC THICKNESS AT MATING AREA.  
 DIMENSION E SHALL BE 0.5mm MIN. IN CASE THE LENGTH OF STIFFENER IS 3.5mm MAX DUE TO FPC DESIGN.

- NOTES
- 1 LEAD CO-PLANARITY INCLUDING REINFORCED METAL FITTINGS SHALL BE 0.1 MAX.
  - 2 DIMENSION: FROM REFERENCE S.
  - 3 DIFFERENCE OF EACH CONTACT LEAD TO BE MAX 0.1.
  - 4 TO BE DELIVERED WITH TAPE AND REEL PACKAGES.
  - 5 NOTE THAT PREVENTIVE HOLE FOR SINK MARK COULD BE ADDED FOR IMPROVEMENT.

3	PHOSPHOR BRONZE	GOLD FLASH OVER NICKEL 1μm MIN	5	PHOSPHOR BRONZE (PLATED MATERIAL)	TIN PLATING (REFLOW FINISHED) 1μm MIN OVER COPPER 0.5μm MIN
2	LCP	BROWN	4	PHOSPHOR BRONZE (PLATED MATERIAL)	TIN PLATING (REFLOW FINISHED) 1μm MIN OVER COPPER 0.5μm MIN
1	LCP	BEIGE			

NO.	MATERIAL	FINISH, REMARKS	NO.	MATERIAL	FINISH, REMARKS		
CODE NO. (OLD)	CL		DRAWN	DESIGNED	CHECKED	APPROVED	RELEASED
			K.FURUKAWA	K.FURUKAWA	T.KUWATA	R.TAKAYASU	
			05.09.02	05.09.02	05.09.03	05.09.03	
SCALE	DRAWING NO. EDC3-155218-01		PART NO. FH19C-**S-0.5SH(05)				
5 : 1	HRS HIROSE ELECTRIC CO., LTD		CODE NO. CL580		1/7		
UNITS	mm						

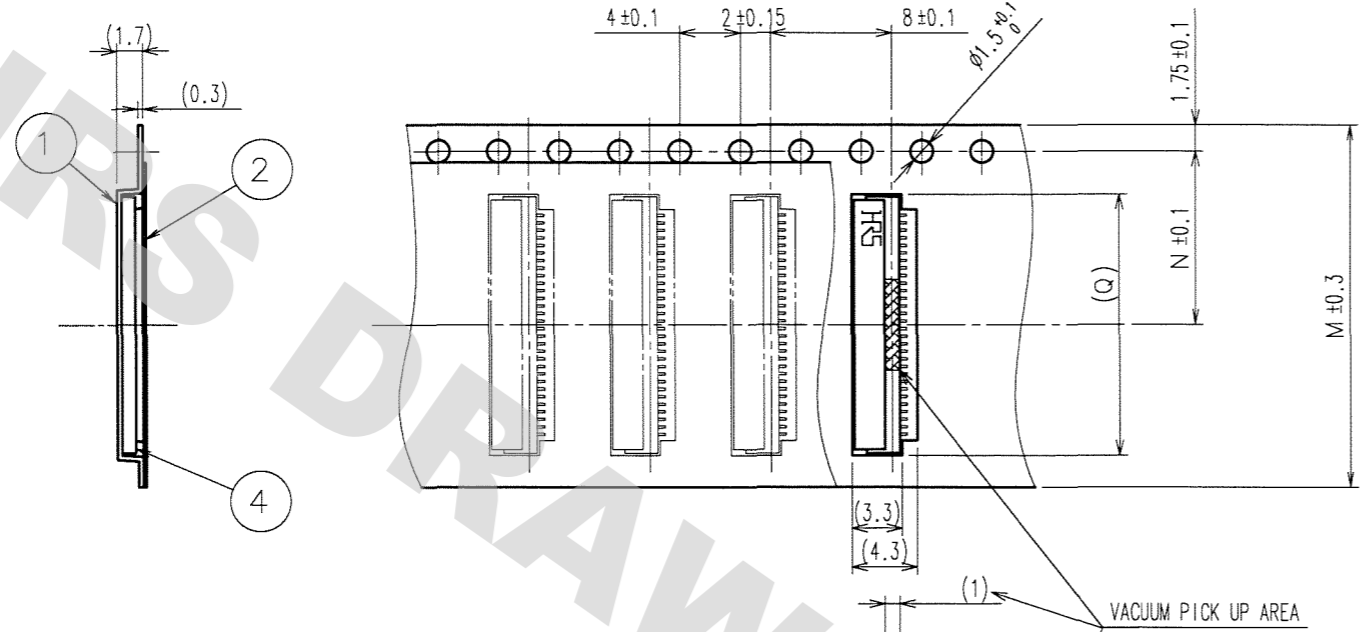
DRAWING FOR REFERENCE: This is subject to change without notice 08/11/2012

TO
NC

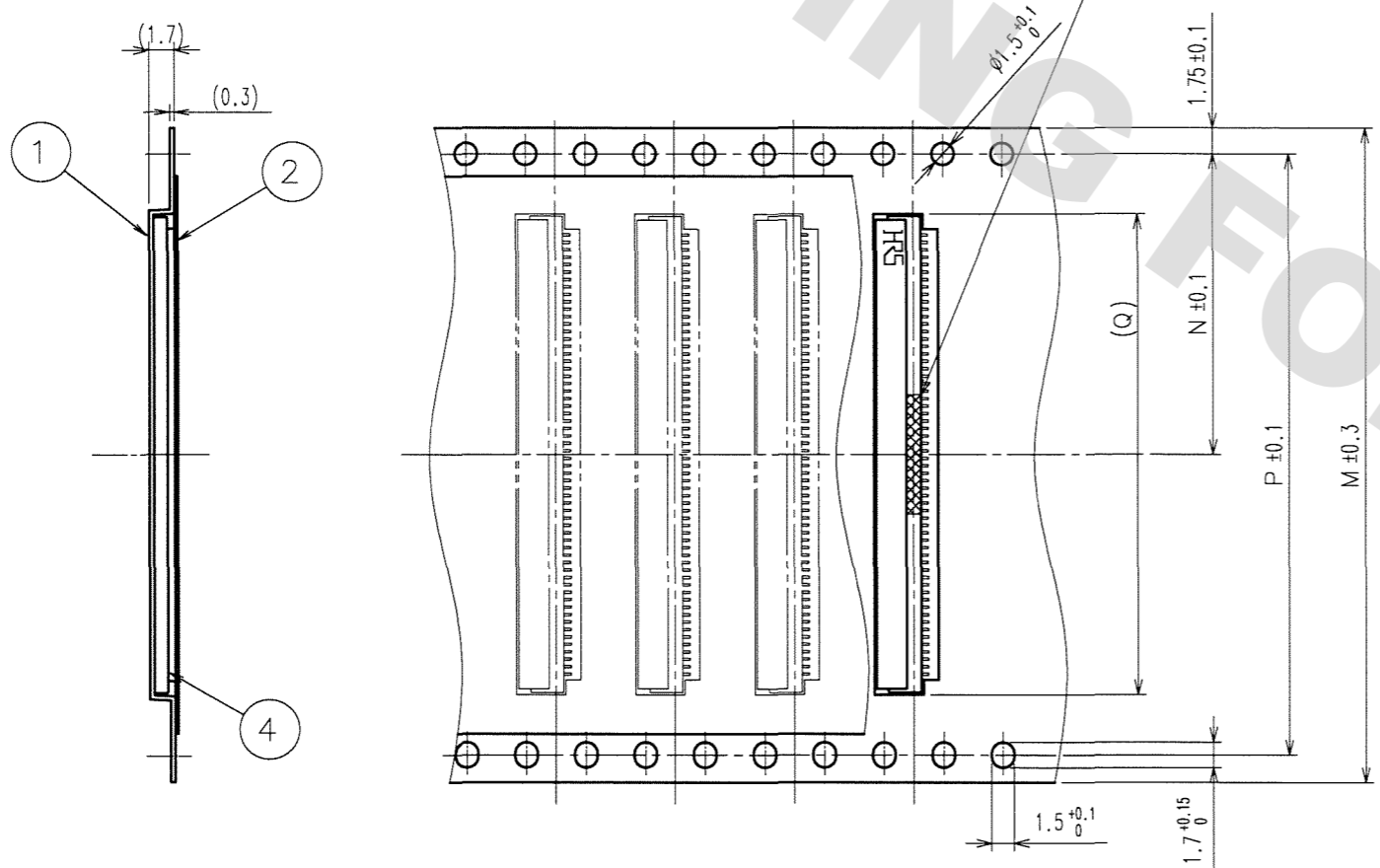
1 2 3 4 5 6 7 8

COUNT	DESCRIPTION OF REVISIONS	BY	CHKD	DATE	COUNT	DESCRIPTION OF REVISIONS	BY	CHKD	DATE

● TAPE WIDTH : 24mm MAX

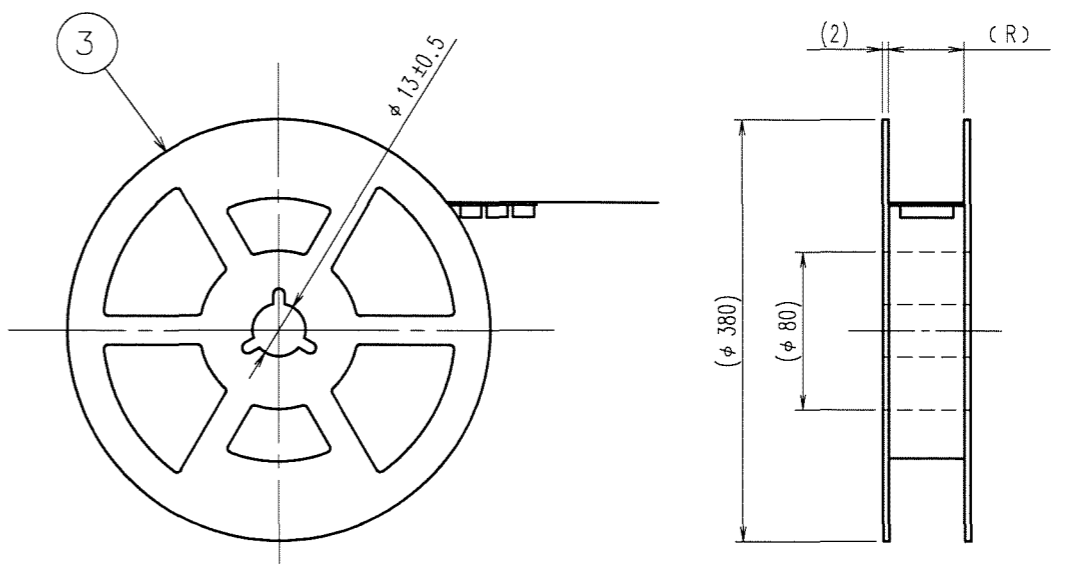


● TAPE WIDTH : 32mm MIN

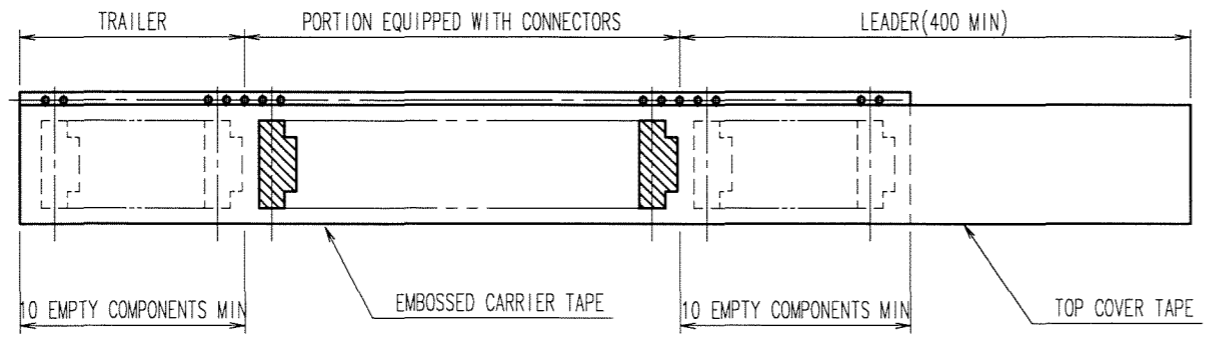


DIRECTION OF UNREELING

REEL DIMENSION(FREE)



- NOTES 1 THE DIMENSIONS IN PARENTHESES ARE FOR REFERENCE.  
 2 PER REEL : 5000 CONNECTORS.  
 3 REFER TO JIS C 0806 (PACKAGING OF COMPONENTS FOR AUTOMATIC HANDLING.)



2	POLYESTER		4	(CONNECTOR)	
1	POLYSTYRENE		3	POLYSTYRENE	
NO.	MATERIAL	FINISH, REMARKS	NO.	MATERIAL	FINISH, REMARKS
CODE NO. (OLD) CL			DRAWN	DESIGNED	CHECKED
DRAWING FOR PACKING			K.FURUKAWA	K.FURUKAWA	T.KUWAWA
SCALE 2 : 1			05.09.02	05.09.02	05.09.03
UNITS mm			PART NO. FH19C-**S-0.5SH(05)		APPROVED R.TAKAYASU
DRAWING NO. EDC3-155218-01			CODE NO. CL580		RELEASED .
HRS HIROSE ELECTRIC CO., LTD					2

DRAWING FOR REFERENCE: This is subject to change without notice  
08/11/2012

TO
NC

COUNT	DESCRIPTION OF REVISIONS	BY	CHKD	DATE	COUNT	DESCRIPTION OF REVISIONS	BY	CHKD	DATE
△					△				
△					△				
△					△				

△ DIMENSION TABLE OF CONNECTOR, FPC, FFC, LAND PATTERN AND METAL MASK

PART No.	CODE No.	*	A	B	C	D	J	K	L
FH19C- 4S-0.5SH(05)	CL580-0410-1-05	4	4	1.5	2.57	3.35	3.1	3.9	2.5
FH19C- 6S-0.5SH(05)	CL580-0409-2-05	6	5	2.5	3.57	4.35	4.1	4.9	3.5
FH19C- 7S-0.5SH(05)	CL580-0411-4-05	7	5.5	3	4.07	4.85	4.6	5.4	4
FH19C- 8S-0.5SH(05)	CL580-0404-9-05	8	6	3.5	4.57	5.35	5.1	5.9	4.5
FH19C- 9S-0.5SH(05)	CL580-0403-6-05	9	6.5	4	5.07	5.85	5.6	6.4	5
FH19C-10S-0.5SH(05)	CL580-0412-7-05	10	7	4.5	5.57	6.35	6.1	6.9	5.5
FH19C-12S-0.5SH(05)	CL580-0413-0-05	12	8	5.5	6.57	7.35	7.1	7.9	6.5
FH19C-13S-0.5SH(05)	CL580-0405-1-05	13	8.5	6	7.07	7.85	7.6	8.4	7
FH19C-15S-0.5SH(05)	CL580-0406-4-05	15	9.5	7	8.07	8.85	8.6	9.4	8
FH19C-17S-0.5SH(05)	CL580-0408-0-05	17	10.5	8	9.07	9.85	9.6	10.4	9
FH19C-20S-0.5SH(05)	CL580-0402-3-05	20	12	9.5	10.57	11.35	11.1	11.9	10.5
FH19C-21S-0.5SH(05)	CL580-0414-2-05	21	12.5	10	11.07	11.85	11.6	12.4	11
FH19C-24S-0.5SH(05)	CL580-0407-7-05	24	14	11.5	12.57	13.35	13.1	13.9	12.5
FH19C-27S-0.5SH(05)	CL580-0401-0-05	27	15.5	13	14.07	14.85	14.6	15.4	14
FH19C-30S-0.5SH(05)	CL580-0400-8-05	30	17	14.5	15.57	16.35	16.1	16.9	15.5
△ FH19C-40S-0.5SH(05)	CL580-0416-8-05	40	22	19.5	20.57	21.35	21.1	21.9	20.5
△ FH19C-50S-0.5SH(05)	CL580-0417-0-05	50	27	24.5	25.57	26.35	26.1	26.9	25.5

△ DIMENSION TABLE OF DRAWING FOR PACKING

PART No.	CODE No.	*	M	N	P	Q	R
FH19C- 4S-0.5SH(05)	CL580-0410-1-05	4	16	7.5	—	4.3	16.5
FH19C- 6S-0.5SH(05)	CL580-0409-2-05	6	16	7.5	—	5.3	16.5
FH19C- 7S-0.5SH(05)	CL580-0411-4-05	7	16	7.5	—	5.8	16.5
FH19C- 8S-0.5SH(05)	CL580-0404-9-05	8	16	7.5	—	6.3	16.5
FH19C- 9S-0.5SH(05)	CL580-0403-6-05	9	16	7.5	—	6.8	16.5
FH19C-10S-0.5SH(05)	CL580-0412-7-05	10	16	7.5	—	7.3	16.5
FH19C-12S-0.5SH(05)	CL580-0413-0-05	12	16	7.5	—	8.3	16.5
FH19C-13S-0.5SH(05)	CL580-0405-1-05	13	16	7.5	—	8.8	16.5
FH19C-15S-0.5SH(05)	CL580-0406-4-05	15	16	7.5	—	9.8	16.5
FH19C-17S-0.5SH(05)	CL580-0408-0-05	17	24	11.5	—	10.8	24.5
FH19C-20S-0.5SH(05)	CL580-0402-3-05	20	24	11.5	—	12.3	24.5
FH19C-21S-0.5SH(05)	CL580-0414-2-05	21	24	11.5	—	12.8	24.5
FH19C-24S-0.5SH(05)	CL580-0407-7-05	24	24	11.5	—	14.3	24.5
FH19C-27S-0.5SH(05)	CL580-0401-0-05	27	24	11.5	—	15.8	24.5
FH19C-30S-0.5SH(05)	CL580-0400-8-05	30	24	11.5	—	17.3	24.5
△ FH19C-40S-0.5SH(05)	CL580-0416-8-05	40	44	20.2	40.4	22.3	44.5
△ FH19C-50S-0.5SH(05)	CL580-0417-0-05	50	44	20.2	40.4	27.3	44.5

\* : NUMBER OF CONTACTS

△△ DELETION

DRAWING FOR REFERENCE: This is subject to change without notice  
08/11/2012

TO
NC

NO.	MATERIAL	FINISH, REMARKS	NO.	MATERIAL	FINISH, REMARKS		
CODE NO. (OLD)	CL		DRAWN	DESIGNED	CHECKED	APPROVED	RELEASED
			K.FURUKAWA	K.FURUKAWA	T.KUWATA	R.TAKAYASU	
			05.09.02	05.09.02	05.09.03	05.09.03	
DRAWING NO. EDC3-155218-01			PART NO. FH19C- **S-0.5SH(05)				
SCALE :			CODE NO. CL580				
UNITS mm			3				

1 2 3 4 5 6 7 8

This connector is small and thin and requires delicate and careful handling.  
Read through the instructions shown below and handle the connector properly.  
Each values indicating here are for reference and may differ from standard value.

【 INSTRUCTIONS FOR MOUNTING ON THE BOARD 】

- ◆ **Warp of Board**  
Minimize warp of the board as much as possible.  
Lead co-planarity including reinforced metal fittings is 0.1 mm or less.  
Too much warp of the board may result in a soldering failure.
- ◆ **Load to Connector**  
Do not apply a force of 1 N or more to the connector before mounting it on the board.  
Otherwise, the connector may be broken.  
Do not insert the FPC or operate the connector before mounting it.
- ◆ **Load to Board**
  - Splitting a large board into several pieces
  - Screwing the board
 Avoid the handling described above so that no force is exerted on the board during the assembly process.  
Otherwise, the connector may become defective.
- ◆ **Amount of Warp**  
The warp of a 100-mm wide board should be 1 mm or less.  
The warp of board suffers stress on connector and the connector may become defective.

COUNT	DESCRIPTION OF REVISIONS	BY	CHKD	DATE	COUNT	DESCRIPTION OF REVISIONS	BY	CHKD	DATE
△					△				
△					△				
△					△				

【 INSTRUCTIONS ON INSERTING FPC AND CONNECTION 】

- ◆ **Use of the Lock Lever**
  1. Be very careful not to apply excessive force when releasing the lock lever in the initial position (with no FPC inserted).  
If you use your nail or finger or pair of tweezers as shown below, the terminals may be deformed.

2. When operating the lock lever, do not apply a force in the direction of the connector. The lock lever may get pushed into the connector, causing damage to the connector.

The lock lever is designed to rotate on the axis shown in the figure below so make sure to use a rotating motion when operating it.

DRAWING FOR REFERENCE: This is subject to change without notice  
08/11/2012

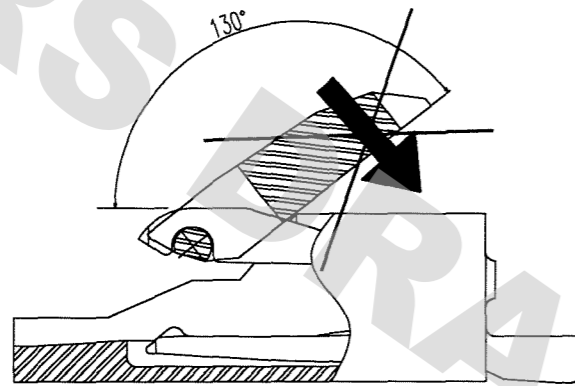
TO
NC

CODE NO. (OLD) CL	DRAWN K.FURUKAWA 05-09-02	DESIGNED K.FURUKAWA 05-09-02	CHECKED T.KUWATA 05-09-03	APPROVED R.TAKAYASU 05-09-03	RELEASED ..
INSTRUCTION MANUAL					
DRAWING NO. EDC3-155218-01		PART NO. FH19C-**-S-0.5SH(05)			
SCALE - : 1	UNITS mm		CODE NO. CL580		△ 4

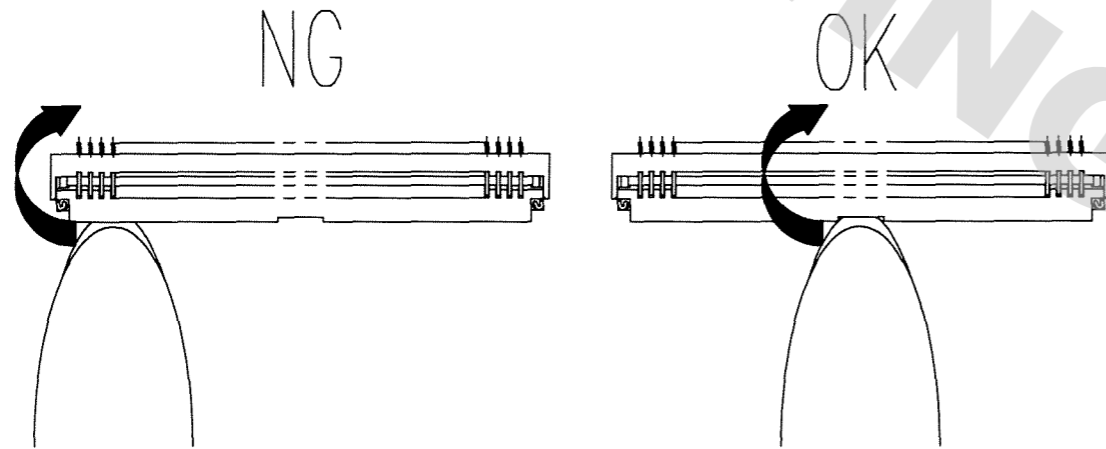
FORM NO. 229

COUNT	DESCRIPTION OF REVISIONS	BY	CHKD	DATE	COUNT	DESCRIPTION OF REVISIONS	BY	CHKD	DATE
△					△				
△					△				
△					△				

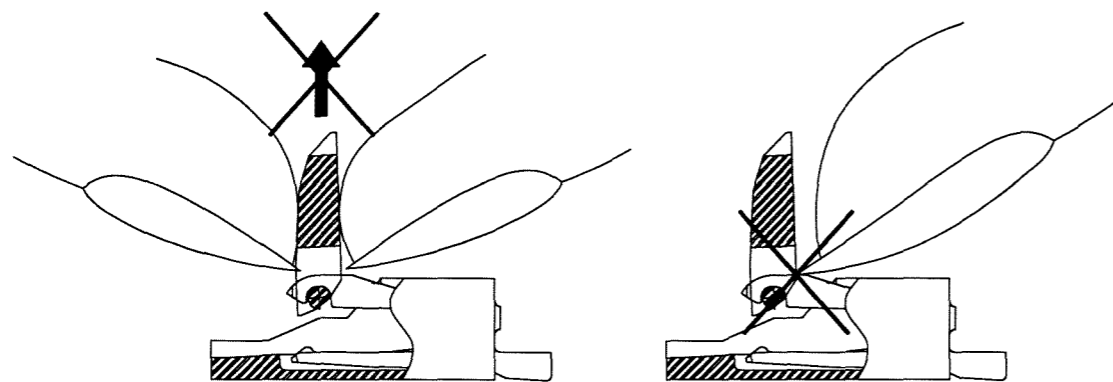
3. The lock lever is not designed to open more than 130 degrees, so do not push it back further than this. Doing so may result in deformed terminals, lock lever break-off or other damage.



4. When operating the lock lever, avoid operating it at its end. Make sure to operate it at its middle section.



5. Do not lift or snag the lock lever as shown in the figures below. This can result in damage. (Operate the lever only in a rotating fashion as instructed in paragraph 2 above.)



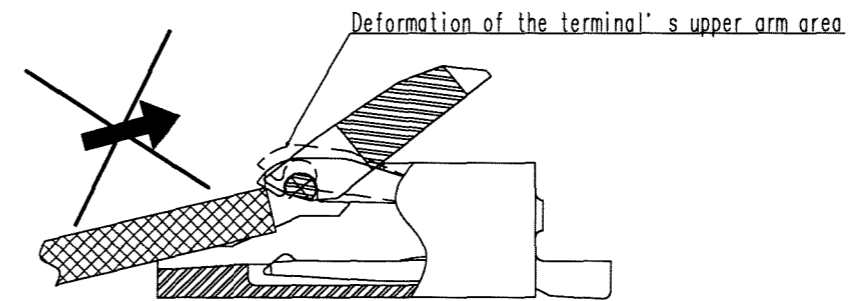
◆ Contact orientation

This connector is configured with its contacts at the bottom. Therefore, insert the FPC with the side with the exposed conductors facing down.

◆ Inserting an FPC

1. Insert the FPC parallel to the board and perpendicular to the connector, and press it in securely and fully. Inserting the FPC at an angle may result in shorts due to pitch displacements or the FPC's edges snagging the terminal and causing them to deform. This connector has a ZIF structure with an effective engagement length of 1.3mm (at the nominal FPC dimension recommended by Hirose). Therefore, operate the lock lever with care after the FPC has been inserted so that the FPC does not pull loose.

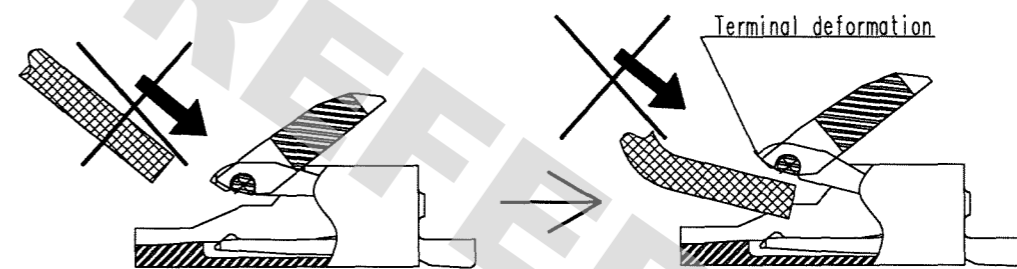
2. When inserting the FPC, make sure not to bump the FPC's tip against the upper arm area of the terminal. This may cause the terminal to deform.



3. Do not insert the FPC at an angle.

Do not insert the FPC from above at an angle as shown in the figure. This may cause the FPC to bend or the terminal to deform. Additionally, the FPC may not insert all the way and result in discontinuation.

- \* Please design the layout to provide for enough space for the FPC so that it will not have to be inserted at an angle.
- \* Please speak with your FPC manufacturer for FPC bendability.



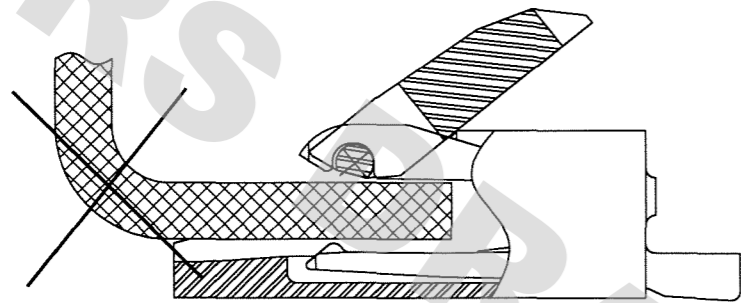
CODE NO. (OLD) CL	DRAWN K.FURUKAWA 05-09-02	DESIGNED K.FURUKAWA 05-09-02	CHECKED T.KUWATA 05-09-03	APPROVED R.TAKAYASU 05-09-03	RELEASED .
INSTRUCTION MANUAL		PART NO. FH19C-**S-0.5SH(05)			
SCALE - : 1	DRAWING NO. EDC3-155218-01	CODE NO. CL580		△ 5	
UNITS mm	<b>HRS</b> HIROSE ELECTRIC CO., LTD				

DRAWING FOR REFERENCE: This is subject to change without notice 08/11/2012

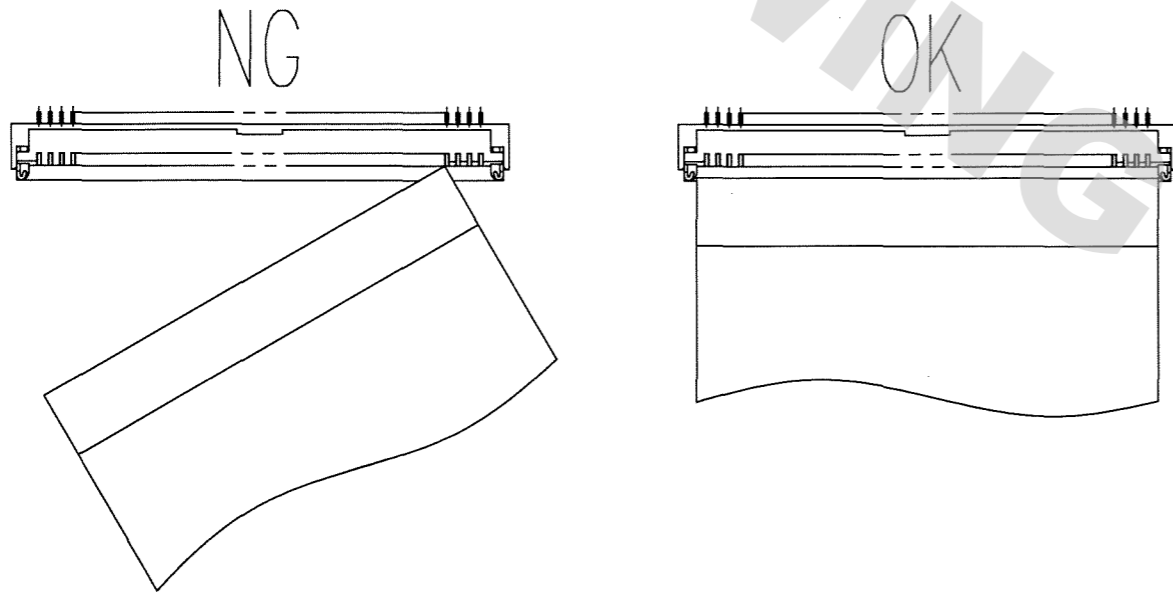
TO
NC

COUNT	DESCRIPTION OF REVISIONS	BY	CHKD	DATE	COUNT	DESCRIPTION OF REVISIONS	BY	CHKD	DATE
△					△				
△					△				
△					△				

4. When inserting (or removing) an FPC using a pair of tweezers, once the tip of the FPC is inside the connector, do not hold the FPC at an area above the connector (higher than 1mm from the board), twist the FPC or apply upward force. The upper arm area of the terminal will deform and compromise reliability.

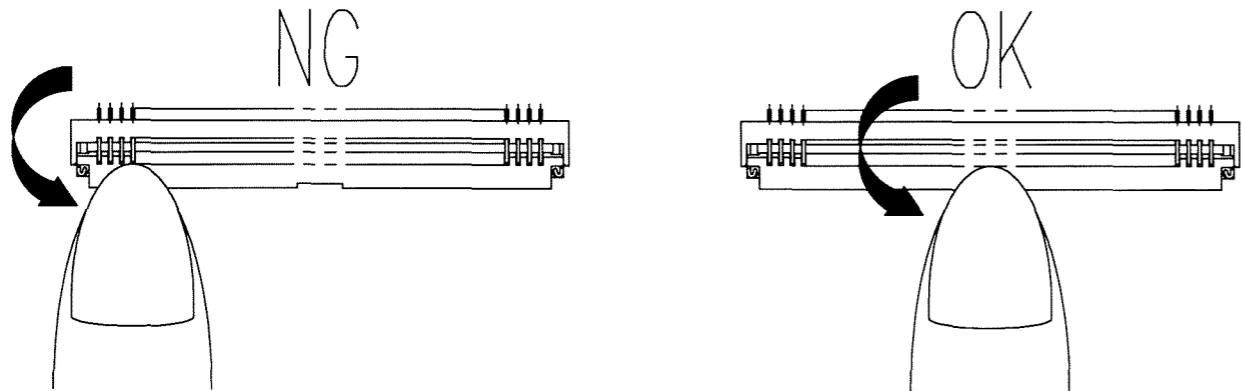


5. When inserting an FPC, do not use the method shown in the photo on the left below where the corner of the FPC is inserted first and then slid sideways. The FPC's corner can deform the terminal's contacts. Always insert the FPC parallel to the board as shown in the photo on the right below.



**【Reminders on operating the lock】**

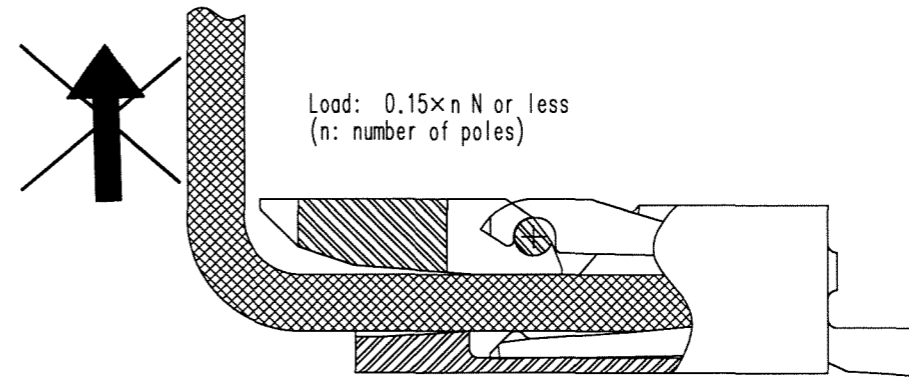
◆ Lock lever operation  
Once the FPC is attached, do not operate the end of the lock lever as shown in the photo on the left below to close the lock. This can cause damage to the lock lever. Always operate the middle area of the lock lever as shown in the photo on the right when operating the lock.



◆ Confirming the state of the lock  
Once it is locked, make sure that the lock lever is parallel to the board. However, if the lock lever approaches 0 degrees, make sure that it is not

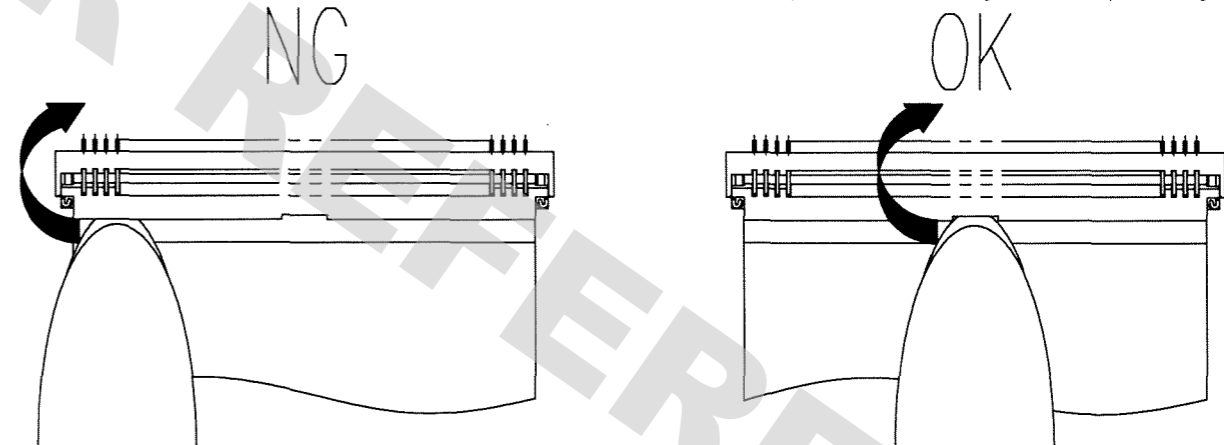
**【Reminders on FPC routing after it has been connected】**

◆ Loads applied to the FPC  
Once the FPC is attached, make sure that it is not subjected to loads. This can cause the connector lock to disengage, or cause a discontinuation or damage to the FPC. If the FPC is subjected to a constant load, fasten the FPC in place. When routing the FPC, make sure that it is not forced to make a tight bend at the FPC connection.



**【Reminders on releasing the lock】**

◆ Operating the lock lever  
1. Do not operate the end of the lock lever as shown in the photo on the left below when releasing the lock. This can cause damage to the lock lever. Always operate the middle area of the lock lever as shown in the photo on the right when operating the lock.



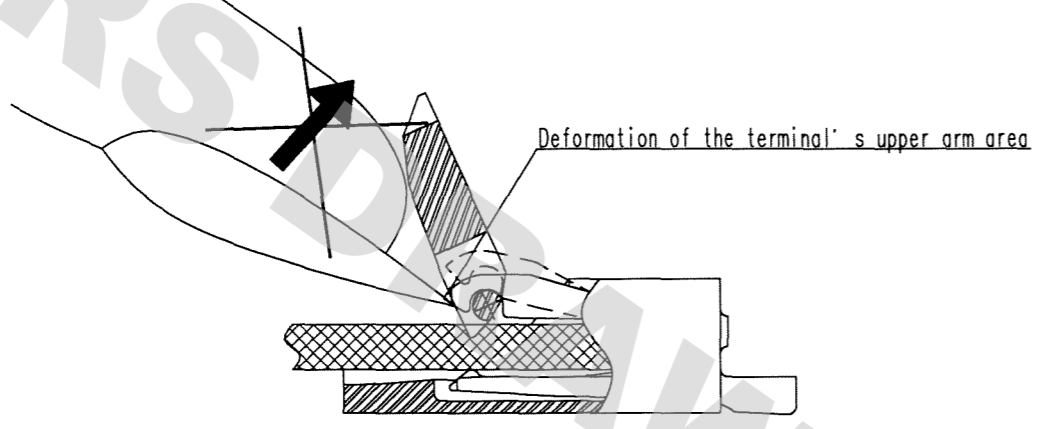
DRAWING FOR REFERENCE: This is subject to change without notice  
08/11/2012

TO
NC

CODE NO. (OLD) CL	DRAWN K.FURUKAWA 05-09-02	DESIGNED K.FURUKAWA 05-09-02	CHECKED T.KUWATA 05-09-03	APPROVED R.TAKAYASU 05-09-03	RELEASED .
INSTRUCTION MANUAL					
SCALE - : 1	DRAWING NO. EDC3-155218-01	PART NO. FH19C-**S-0.5SH(05)			
UNITS mm	<b>HRS</b> HIROSE ELECTRIC CO., LTD	CODE NO. CL580		△ 6	

COUNT	DESCRIPTION OF REVISIONS	BY	CHKD	DATE	COUNT	DESCRIPTION OF REVISIONS	BY	CHKD	DATE
△					△				
△					△				
△					△				

2. When opening a lock lever that is in its locked state (FPC is inserted), take special care not to apply excessive force. Inserting a fingernail or pair of tweezers deeply, as shown in the figure below, may result in deformed terminals.

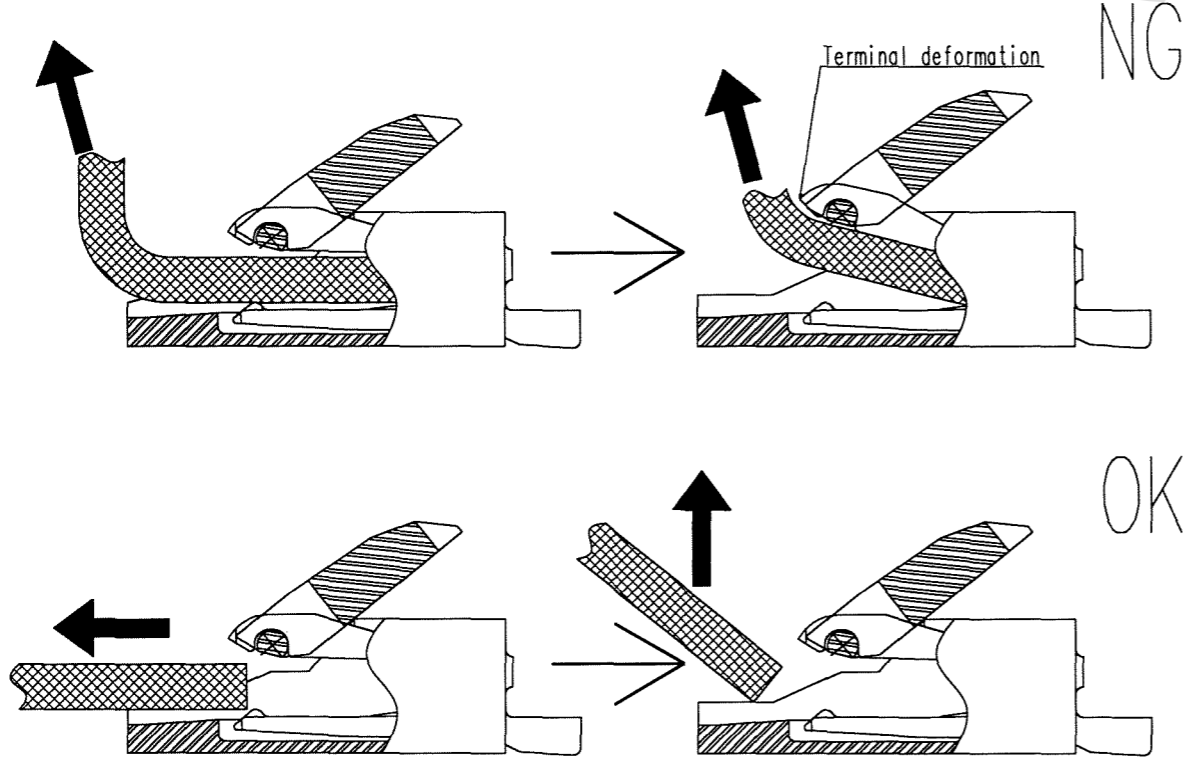


【Other reminders】

- ◆ Reminders on manual soldering
  1. Do not perform reflows or manual soldering with an FPC inserted in the connector.
  2. Do not apply excessive heat or allow the soldering iron to touch areas other than the connector's leads. This can cause the connector to deform or melt.
  3. Do not use excessive solder (flux).  
When too much solder (flux) is used, it can attach to the contacts or the lock lever's rotation shaft and cause contact failure or faulty lock lever rotation.  
Additionally, make sure not to use excessive solder on the reinforcement hardware. This may interfere with the lock lever's rotation and cause connector damage.

【Reminders on removing the FPC】

- ◆ To remove the FPC, always make sure that the lock lever has been fully released. Do not pull the FPC straight up or at an angle while it is still in the connector. This may cause the upper arm area of the terminal to deform and cause contact failure. To remove the FPC, pull the FPC parallel to the board until it is fully removed from the connector as shown in the figure below.



DRAWING FOR REFERENCE: This is subject to change without notice  
08/11/2012

TO
NC

CODE NO. (OLD) CL	DRAWN K.FURUKAWA 05.09.02	DESIGNED K.FURUKAWA 05.09.02	CHECKED T.KUWATA 05.09.03	APPROVED R.TAKAYASU 05.09.03	RELEASED .
INSTRUCTION MANUAL					
SCALE - : 1	DRAWING NO. EDC3-155218-01	PART NO. FH19C-**S-0.5SH(05)			
UNITS mm	<b>HRS</b> HIROSE ELECTRIC CO., LTD	CODE NO. CL580		△ 7	

## X-ON Electronics

Largest Supplier of Electrical and Electronic Components

*Click to view similar products for [FFC & FPC Connectors](#) category:*

*Click to view products by [Hirose](#) manufacturer:*

Other Similar products are found below :

[FPH-1422G](#) [FPH-1602G](#) [K-FC20](#) [FH29B-80S-0.2SHW\(99\)](#) [FPH-2022G](#) [AYF332735](#) [52610-1075](#) [52610-1275](#) [52610-1934](#) [501864-3091-TR225](#) [086222026001800](#) [52610-0675](#) [62684-36210E9ALF](#) [52746-1671-TR250](#) [10051922-2810EHLF](#) [6-520415-9](#) [SFV6R-1STE9HLF](#) [XF3M-2915-1B-R100](#) [1658549-1](#) [AYF534065TA](#) [AYF351525](#) [086212040340800+](#) [AYF530365TA](#) [67000-014LF](#) [67000-004LF](#) [006207341915000+](#) [DS1020-19RT1D](#) [67000-003LF](#) [67000-011LF](#) [67000-016LF](#) [HFW14R-2STE9LF](#) [SFV32R-2STBE9HLF](#) [SFW12R-5STE9LF](#) [SFW18R-1STAE9LF](#) [SFW4R-5STE9LF](#) [52807-0430](#) [046283021002868+](#) [THD1015-8CL-SN](#) [67000-006LF](#) [502250-8027](#) [104267-9617](#) [66987-011LF](#) [AYF362535](#) [F0501-T-50-20T-R](#) [F1003-ZV-12-25T-R](#) [HFW8S-2STAE1HLF](#) [67000-008LF](#) [67000-012LF](#) [ECC576069EU](#) [F1002-B-20-20T-R](#)